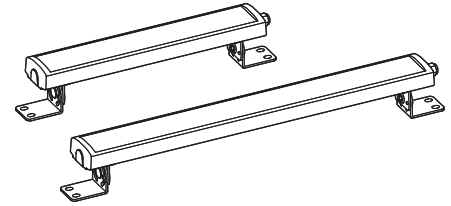


Water, Vibration and Oil Resistant LED Work Lights

QMFLN



Thank you for purchasing Qlight's products. Please read this user manual carefully prior to installation and operation to ensure safe and correct use.

⚠ Precautions for Safety

Failure to follow the instructions below may cause a loss of life or serious physical injury.

1. During wiring or maintenance, please completely turn off the power of the product. (Failure to follow this may lead to an electric shock.)
2. Do not install the product in locations that subjects it to excessive dust or water other than the conditions designated by the IP protection ratings indicated for each product. (Failure to follow these instructions may cause a fire to the product, electric shock, physical injury, malfunction or damage to the product.)
3. Do not alter or repair this product. If maintenance or repair service is required, please contact your local Qlight contact point. (Failure to follow these instructions may lead to fire, electric shock, or product damage.)
4. Please apply the correct voltage to the product. (Failure to follow these instructions may lead to fire, electric shock, or product damage.)
5. When the product is applied to a condition that may impact lives or property, please make sure to have a double safety device. (Failure to follow this may cause damage to property, fire, electric shock and loss of life.)

⚠ Precautions for Correct Use

Failure to follow the proper instructions may cause damage to property, the product, or malfunction of the product that would void the warranty.

1. Please remove any objects that can interrupt ventilation around the product.
2. Please turn off the power of the product immediately if it fails to operate properly.
3. Carefully wire the product according to each product's specification.
4. Please be careful in preventing chemicals such as thinner, benzene, etc. in contact with the surface of the product.
5. Do not apply excessive force/impact to the product.
6. Failure to follow any of the instructions above may cause malfunction or damage to the product, fire, and electric shock.
7. Wire the product in an environment without coolant in order to prevent coolant flowing into the core wire of power line
8. Keep the lens in a clean condition (Contamination may cause luminance decrease)
9. Clean the product using a soft cloth dampened with water (Do not use thinner, benzene, gasoline and oil)

Ordering Specifications

QMFLN	-	200	-	24	-	TLC
[Model number]		[Product length]		[Voltage]		[Lens type]
• QMFLN		• 200 - 190mm • 300 - 290mm • 400 - 400mm • 500 - 500mm • 600 - 600mm		• 24 - DC24V		• (Blank) - Transparent lens • TLC - Translucent lens

Product Specifications

Optics Specifications

Model number		QMFLN-200	QMFLN-300	QMFLN-400	QMFLN-500	QMFLN-600
Lens color	(Blank)	Transparent	Transparent	Transparent	Transparent	Transparent
	TLC	Translucent	Translucent	Translucent	Translucent	Translucent
Light color(Standard)	Cooldaylight					
Color temperature (Standard)	6,000-7,000K					
Luminous flux	(Blank)	359lm	851lm	1,284lm	1,553lm	1,719lm
	TLC	306lm	730lm	1,109lm	1,394lm	1,532lm
Illumination (at 1m)	(Blank)	240Lux	560Lux	850Lux	1,000Lux	1,300Lux
	TLC	160Lux	370Lux	580Lux	750Lux	1,050Lux

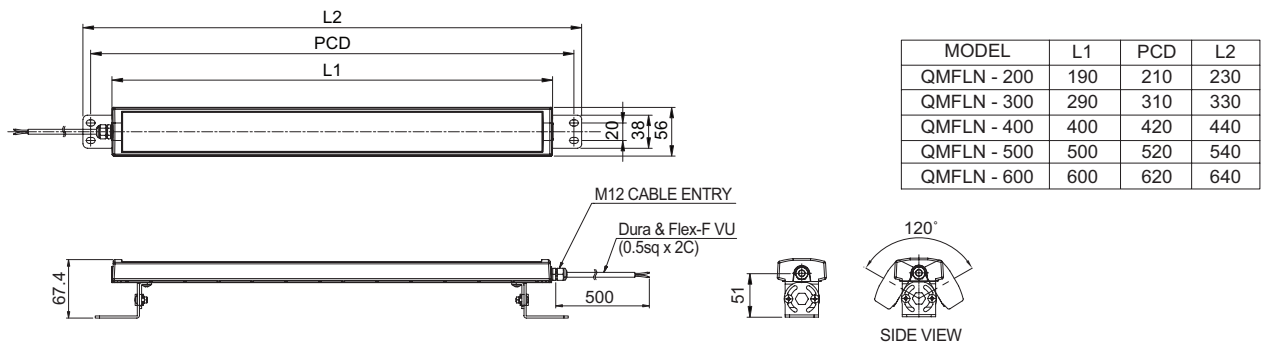
General Product Specifications

Model number	QMFLN-200	QMFLN-300	QMFLN-400	QMFLN-500	QMFLN-600
Rated voltage	DC24V				
Range for operating voltage	DC22V-30V				
Power consumption	5.6W	12.5W	20W	20W	25W
Insulation resistance	Min. 100MΩ(500V DC mega ohm meter)				
Withstanding voltage	500V AC, 60Hz, 1 minute				
Operating temperature	-30°C to +60°C				
Protection rating	IP67/ IP69K				
Materials	Lens : Al, Heat sink : Al, Lens : Tempered glass, Bracket : SPC-1				
Certificate	CE DC 24V Only / UL DC 24V Only				
Weight(approx.)	0.57kg	0.80kg	1.03kg	1.26kg	1.49kg

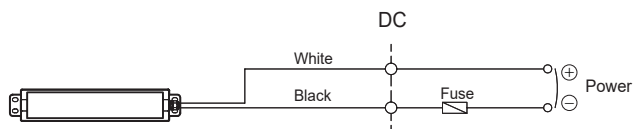
Dimensions

(Units : mm)

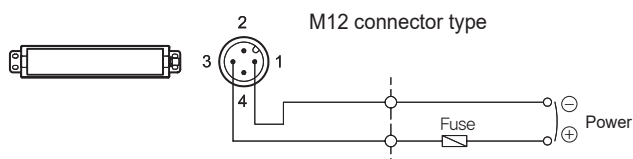
QMFLN-200/ 300/ 400/ 500/ 600



Wiring Instructions



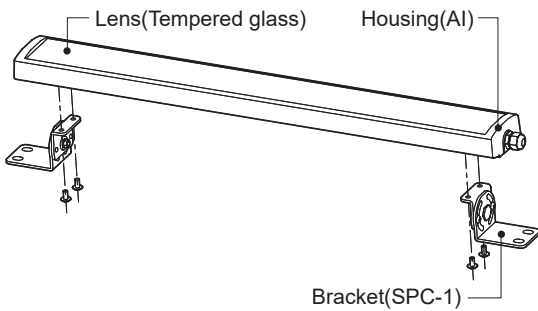
- External power line - Dura & Flex-FVU(0.5sq) x 2C 450mm
- When wiring the product, please ensure that the terminals are not exposed to coolant in order to prevent the bare wire from being contaminated.



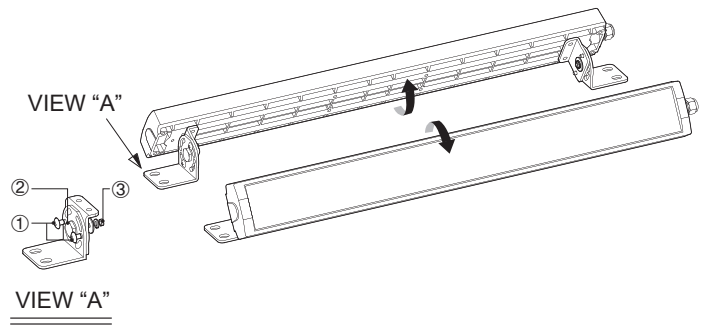
- Please connect the 4 pins located in M12 connector cable to the M12 socket of the product.

Parts Definition/ Bracket Adjustment

Parts Definition

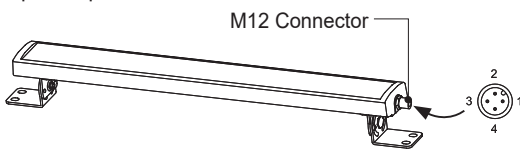


Bracket Adjustment



M12 Connector Type Model

- M12 connector type product with a cable entry is available upon request.

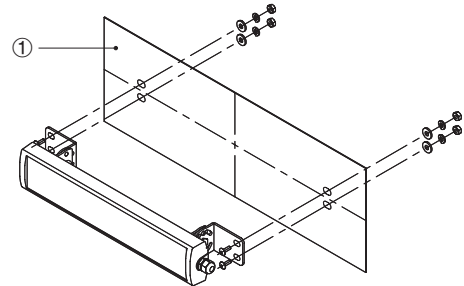


- In case angle adjustment is needed after installation, please loosen the fixing bolt of two brackets ① completely and remove them.
- Securing the bracket bushings ② using spanner, loosen the bracket fixing nuts ③ slightly and adjust the angle as desired.
- Once the angle is adjusted as desired, please secure the bracket fixing bolt ① aligning with guide rail and tighten the bracket fixing nut ③.

Installation/ Mounting Hole Specifications

Installation

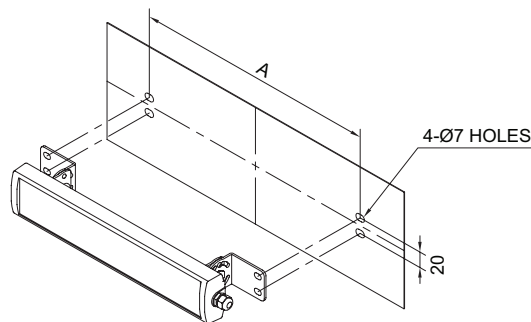
- First, machine taps or holes on the mounting surface ①.
- The mounting hole of this product is 7mm in diameter (long hole).
- When machining taps, fasten the bolt through the mounting hole of the product.
- When machining holes, insert the bolt through the hole of the product, and tighten the nut from the opposite side of the mounting surface.
- Install flat washer and spring washer when fastening bolt and nut.



Mounting Hole Specifications

- Machine holes on the mounting surface referring to the diagram below.

MODEL	A
QMFLN - 200	210
QMFLN - 300	310
QMFLN - 400	420
QMFLN - 500	520
QMFLN - 600	620



Installation Environment and Protection Rating

- This product is designed for use with protection rating of IP67/IP69K.
- If the product is installed in locations that subject it to excessive dust or water other than the designated IP protection rating indicated (IP67/IP69K), it may cause malfunction or damage to the product.
- For further information, please visit our website (www.qlight.com).

ООО "РусАвтоматизация"

454010 г. Челябинск, ул. Гагарина 5, оф. 507
 тел. 8-800-775-09-57 (звонок бесплатный), +7(351)799-54-26, тел./факс +7(351)211-64-57
info@rusautomation.ru; rusавтоматизация.рф; www.rusautomation.ru