

Incremental encoders

Through hollow shaft $\varnothing 14$ mm

128 pulses per revolution

ITD 23 A 4 Y 2



ITD 23 A 4 Y 2 with through hollow shaft

Features

- Encoder with through hollow shaft max. $\varnothing 14$ mm
- 128 pulses per revolution
- Optical sensing
- Mounting by torque support
- TTL or HTL output signals
- Tangential cable output

Technical data - electrical ratings

Voltage supply	5 VDC ± 5 % 8...26 VDC
Reverse polarity protection	Yes
Consumption w/o load	≤ 40 mA
Pulses per revolution	128
Sensing method	Optical
Output frequency	≤ 30 kHz
Output signals	A 90° B
Output stages	TTL Push-pull short-circuit proof
Interference immunity	DIN EN 61000-6-2
Emitted interference	DIN EN 61000-6-3

Technical data - mechanical design

Size (flange)	60 x 72 mm
Shaft type	$\varnothing 14$ mm (through hollow shaft)
Motor shaft tolerance	0.25 mm axial 0.1 mm radial
Mounting kit	019
Protection DIN EN 60529	IP 54
Operating speed	≤ 6000 rpm
Starting torque	≤ 0.01 Nm (+20 °C)
Materials	Housing: aluminium Shaft: stainless steel
Operating temperature	-20...+85 °C
Relative humidity	90 % non-condensing
Resistance	DIN EN 60068-2-6 Vibration 10 g, 55-2000 Hz DIN EN 60068-2-27 Shock 100 g, 11 ms
Connection	Cable 0.5 m, connector M12, 4-polig, coupling K10SK4
Weight approx.	315 g

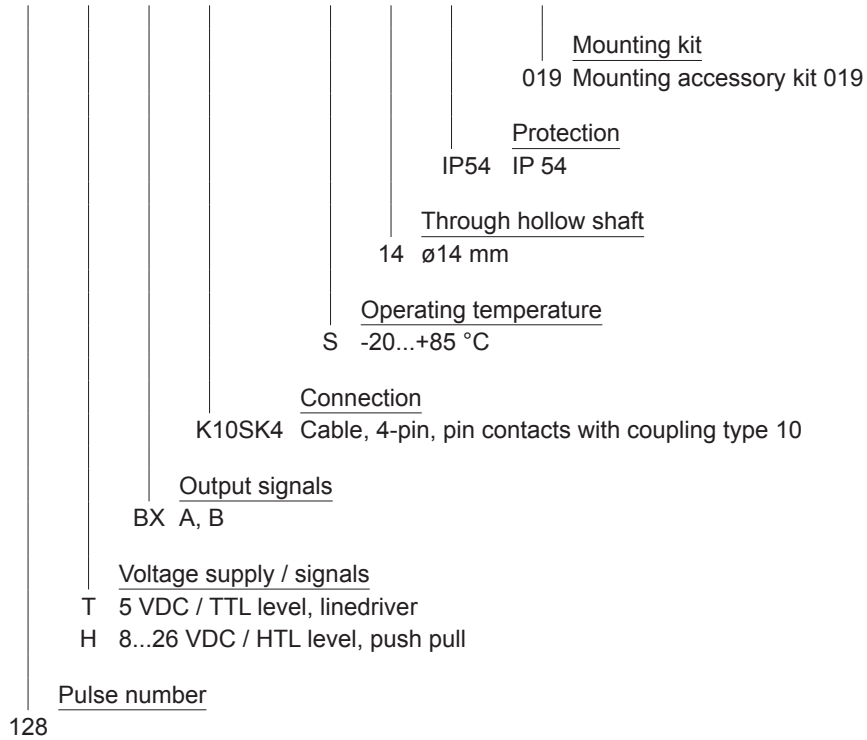
Incremental encoders

Through hollow shaft $\varnothing 14$ mm
128 pulses per revolution

ITD 23 A 4 Y 2

Part number

ITD 23 A 4 Y 2 | 128 | | BX | K10SK4 | S | 14 | IP54 | 019



Incremental encoders

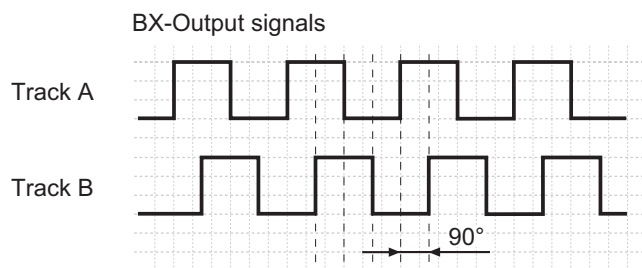
Through hollow shaft $\varnothing 14$ mm

128 pulses per revolution

ITD 23 A 4 Y 2

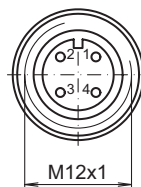
Output signals

Clockwise rotation when looking at the mounting side.



Terminal assignment

Connector	Assignment
Pin 1	UB
Pin 2	Track B
Pin 3	GND
Pin 4	Track A



Trigger level

Outputs	Linedriver
Output level High	≥ 2.4 V
Output level Low	≤ 0.5 V
Load	≤ 40 mA

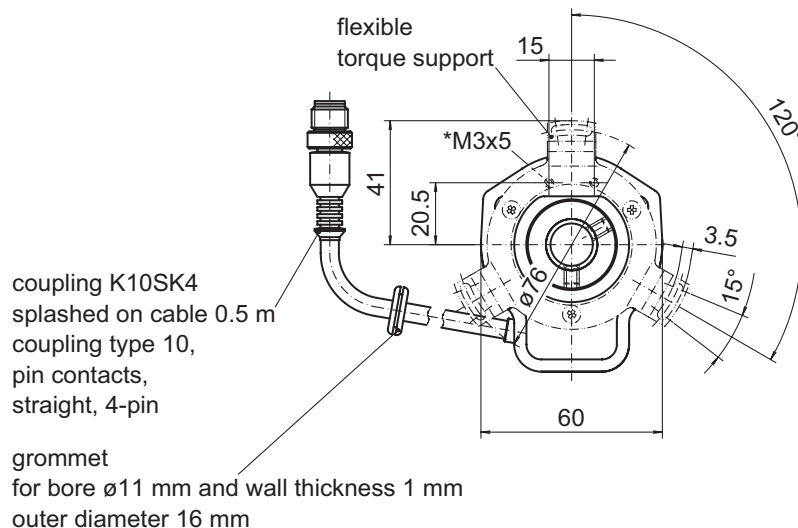
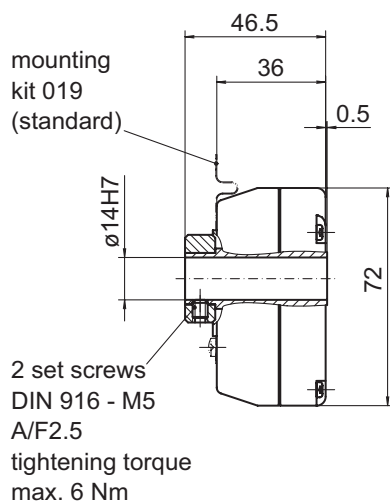
Outputs	Push-pull short-circuit proof
Output level High	$\geq UB - 3$ V
Output level Low	≤ 1.5 V
Load	≤ 40 mA

Incremental encoders

Through hollow shaft $\varnothing 14$ mm
128 pulses per revolution

ITD 23 A 4 Y 2

Dimensions



* mounting also for attachment kits of the ITD 2.- series possible.

037- 6 Y 2

ООО "РусАвтоматизация"

454010 г. Челябинск, ул. Гагарина 5, оф. 507
тел. 8-800-775-09-57 (звонок бесплатный), +7(351)799-54-26, тел./факс +7(351)211-64-57
info@rusautomation.ru; rusавтоматизация.рф; www.rusautomation.ru