

OPERATING MANUAL

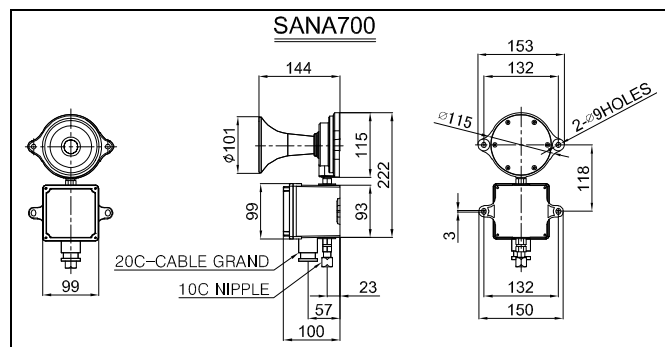
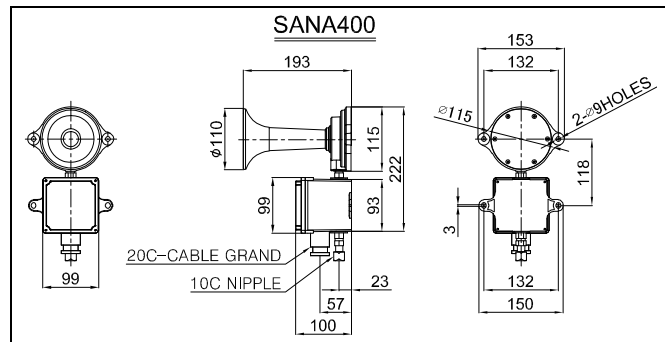
SANA200/400/700

OPERATING MANUAL AIR HORN WITH SOLENOID VALVE BOX

Please read this manual carefully before installing this product for safe and long use.

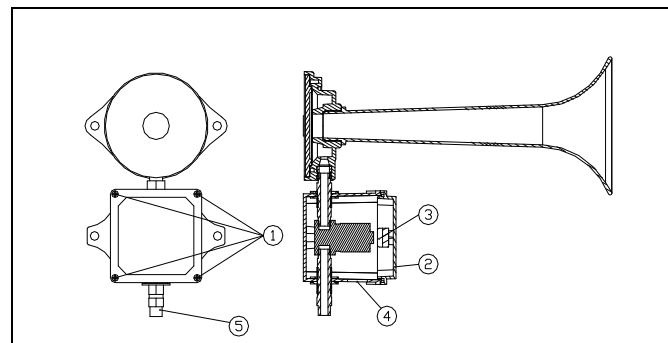
1 Product Feature

- A horn speaker generating high volume through tympanum which use compressed air as power.
- Adopting long durable special tympanum and valves which use small compressed air
- The Suitability for urgent call, emergency alarm and etc for Engine room or pumping station.
- In case of using in a small space, it is possible to adjust sound pressure by installing reducing-valve separately.
- Standard body color: MUNSELL NO. 7.5BG 7/2 (BLUE GREEN) RED, BLACK
- Material of HORN: PC
- SOLENOID VALVE: ABS
- Protection Class: IP56
- Certificate : KIMM



2 Specification & External View Drawing

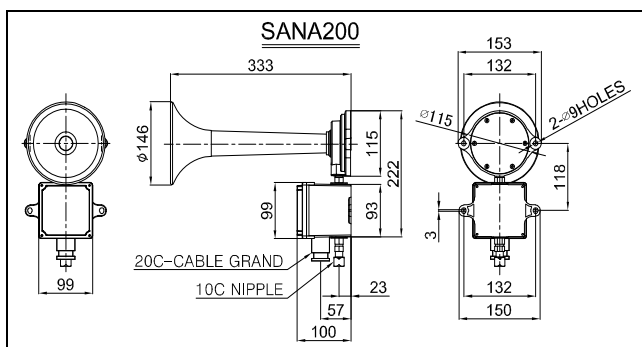
| Model | Frequency | Sound level | Air pressure | Voltage | Current | Color |
|---------|------------|----------------|------------------------|---------|---------|------------------|
| SANA200 | 200~300 Hz | 130 ± 3 dB | 5~7 kg/cm ² | DC24V | 0.488A | R BK 7.5BG |
| SANA400 | 400~600 Hz | | | AC110V | 0.111A | |
| SANA700 | 700~800 Hz | | | AC220V | 0.055A | |



3 Wiring Instruction

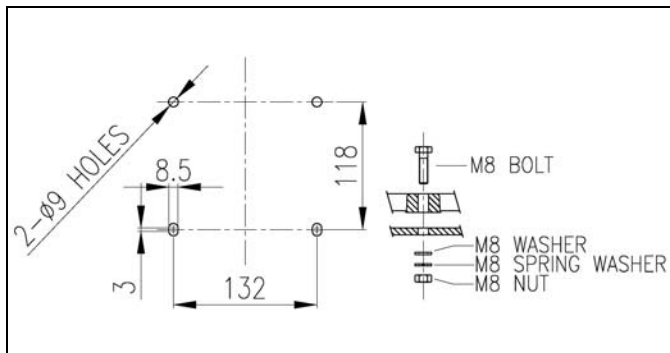
Please read product structure and below mentioned instruction carefully in order to make suitable operation.

- Terminal is already positioned on valve box cover inside air horn. Unscrew bolts ① in product cover and separate cover ②.
- In case of the product using DC power source, negative(-) polarity should be connected with black line at terminal.
- It can cause the damage owing to infiltration of moisture or dust if products are kept exposure outdoor without any sealing of cable entry. (Standard 20C Cable Grand)
- The Entry of air supply ⑤ is assembled by using air exclusive house. Please prevent the leakage of air with sealing material such as Teflon tape or silicon when assembled. Or, it cause malfunction or inoperable status.
- It may be damaged if moisture and dust penetrate into the enclosure when it is placed on outdoor without sealing of the air inlet.

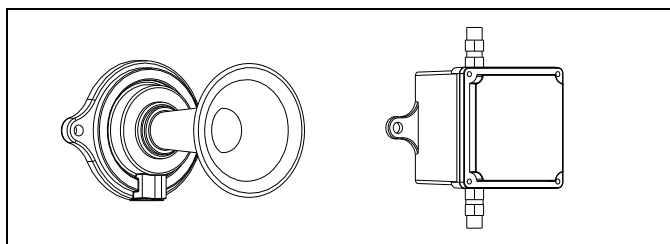


OPERATING MANUAL

4 Mounting



- This product is designed for wall mounting type with waterproof structure.
- Fix the product after drilling a fixing hole at suitable wall place where product will be attached. (See the external view drawing for fixing hole size.)
- Tighten the product by using separate fixing bolt(M8 BOLT-4EA). Vale box and Horn can be installed separately.



5 Caution

- This product is designed for water- & dust-proof type. **Please make sure to sustain airtightness as tightening the joint bolts of each part necessarily when products are assembled or disassembled.**
- It cause reducing product lifespan or malfunction if rated voltage is excessively increasing or decreasing. Rated voltage should be within $\pm 5\%$ of rated voltage.
- If lens or body of the product is contaminated by chemicals such as thinner, benzene, the product can be damaged, discolored or deformed. Please be careful.

6 Troubleshooting

| Symptoms | Reason | Solution |
|------------------|------------------|----------------------------|
| It does not work | Air leakage | Sealing of leaked position |
| | Low air pressure | Supply of suitable air |
| | No power source | Checking power line |

Product inquiry and Customer support

QLIGHT CO., LTD.

<http://www qlight.com>

E-mail: qlight@qlight.com

Overseas Marketing Team / Plant

Tel) 055-328-4082 Fax) 055-328-3883

185-25 Mukbang-ro Sangdong-Myun, Gimhae-Si,

Gyeongsangnam-do, Korea