


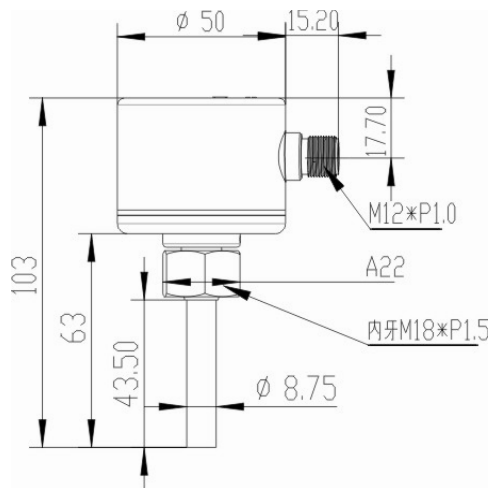
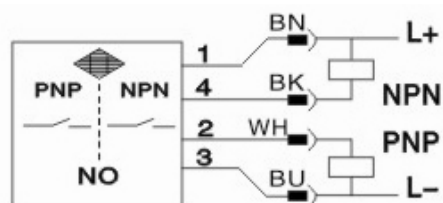
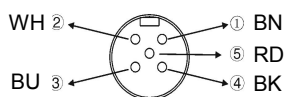





<p>FL6301</p> <p>Smart Flow Sensor</p> <p>Stainless Steel Housing</p> <p>Seal Plus structure</p> <p>Connection:</p> <p>Internal thread M18 x 1.5</p> <p>Programmable</p> <p>M12 socket</p>	
Applications	Liquid and gas
Electric design	PNP/NPN NO
Supply voltage[V]	20...36 DC
Output	NO    NC 
Max. overload current[mA]	400
short-circuit protection	Yes
Reverse polarity protection	Yes
Overload protection	Yes
Voltage drop[V]	2.5
Current consumption[mA]	<40
Max. temperature drift[K/min]	300
Pressure resistance[bar]	300
Liquid setting range[cm/S]	3...300
Max sensitivity of range for liquid[cm/S]	3...60
Liquid SP setting[cm/s]	Adjustable via potentiometer (factory setting:15)
Gas setting range[cm/S]	200...3000
Max sensitivity of range for gas[cm/S]	200...800
Gas SP setting[cm/s]	Adjustable via potentiometer (factory setting:150)
Startup time[s]	< 8
Output response time[s]	< 2
Ambient temperature[°C/°F]	-25...80/-13...176
Environment temperature[°C/°F]	-25...80/-13...176
Storage temperature[°C/°F]	-25...100/-13...212
Protection/Enclosure Rating	IP68
ESD EN61000-4-2	6kV-CD / 8kV-AD
EFT EN61000-4-4	2kV
Surge immunity test EN61000-4-5	0.5kV
Shock resistance[g]	50
Vibration resistance[g]	20
Upper cover material	Stainless steel316L
Lower cover material	Stainless steel 304
Probe material/Wetted Parts	Stainless steel 316L
Connection	M12 socket

Dimensions[mm]

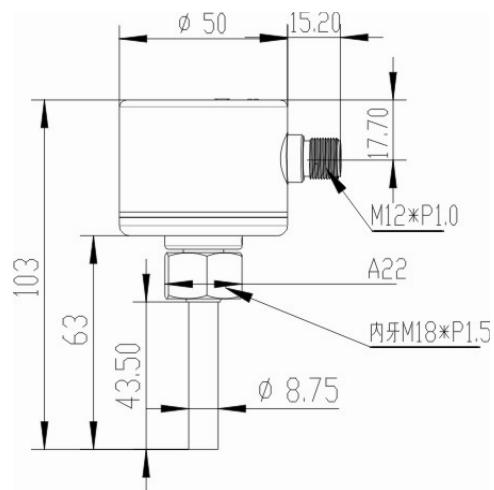


Wiring  
Core color

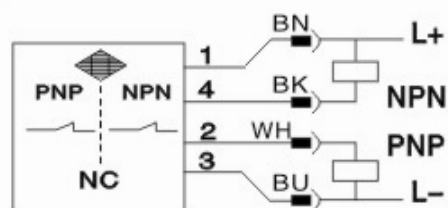
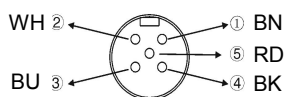


<p>FL6302</p> <p>Smart Flow Sensor</p> <p>Stainless Steel Housing</p> <p>Seal Plus structure</p> <p>Connection:</p> <p>Internal thread M18 x 1.5</p> <p>Programmable</p> <p>M12 socket</p>	
Applications	Liquid and gas
Electric design	PNP/NPN NC
Supply voltage[V]	20...36 DC
Output	NO    NC 
Max. overload current[mA]	400
short-circuit protection	Yes
Reverse polarity protection	Yes
Overload protection	Yes
Voltage drop[V]	2.5
Current consumption[mA]	<40
Max. temperature drift[K/min]	300
Pressure resistance[bar]	300
Liquid setting range[cm/S]	3...300
Max sensitivity of range for liquid[cm/S]	3...60
Liquid SP setting[cm/s]	Adjustable via potentiometer (factory setting:15)
Gas setting range[cm/S]	200...3000
Max sensitivity of range for gas[cm/S]	200...800
Gas SP setting[cm/s]	Adjustable via potentiometer (factory setting:150)
Startup time[s]	< 8
Output response time[s]	< 2
Ambient temperature[°C/°F]	-25...80/-13...176
Environment temperature[°C/°F]	-25...80/-13...176
Storage temperature[°C/°F]	-25...100/-13...212
Protection/Enclosure Rating	IP68
ESD EN61000-4-2	6kV-CD / 8kV-AD
EFT EN61000-4-4	2kV
Surge immunity test EN61000-4-5	0.5kV
Shock resistance[g]	50
Vibration resistance[g]	20
Upper cover material	Stainless steel316L
Lower cover material	Stainless steel 304
Probe material/Wetted Parts	Stainless steel 316L
Connection	M12 socket


Dimensions[mm]



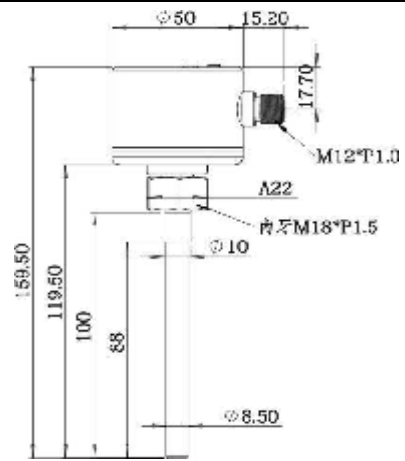
Wiring  
Core color



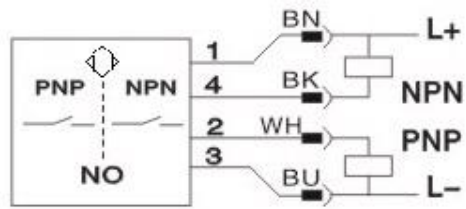
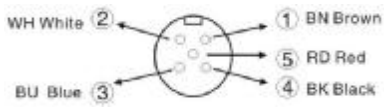
ema

<p>FL6311</p> <p>Rotary flow sensor</p> <p>Stainless Steel Housing</p> <p>Seal Plus waterproof structure</p> <p>Connection:</p> <p>Internal thread M18 x 1.5</p> <p>Programmable</p> <p>M12 socket</p>	
Applications	Liquid and gas
Electric design	PNP/NPN NO
Supply voltage[V]	20...36 DC
Output	NO
Max. overload current[mA]	400
short-circuit protection	Yes
Reverse polarity protection	Yes
Overload protection	Yes
Voltage drop[V]	2.5
Current consumption[mA]	<40
Max. temperature drift[K/min]	300
Pressure resistance[bar]	300
Liquid setting range[cm/S]	3...300
Max sensitivity of range for liquid[cm/S]	3...60
Liquid SP setting[cm/s]	Adjustable via potentiometer (factory setting: 15)
Gas setting range[cm/S]	200...3000
Max sensitivity of range for gas[cm/S]	200...800
Gas SP setting[cm/s]	Adjustable via potentiometer (factory setting: 15)
Startup time[s]	< 8
Output response time[s]	< 2
Ambient temperature[°C/°F]	-25...80/-13...176
Environment temperature[°C/°F]	-25...80/-13...176
Storage temperature[°C/°F]	-25...100/-13...212
Protection/Enclosure Rating	IP68
ESD EN61000-4-2	6kV-CD / 8kV-AD
EFT EN61000-4-4	2kV
Surge immunity test EN61000-4-5	0.5kV
Intercom experiment[mm]	<10
Shock resistance[g]	50
Vibration resistance[g]	20
Upper cover material	Stainless steel316L
Lower cover material	Stainless steel 304
Probe material/Wetted Parts	Stainless steel 316L
Connection	M12 socket


Dimensions[mm]



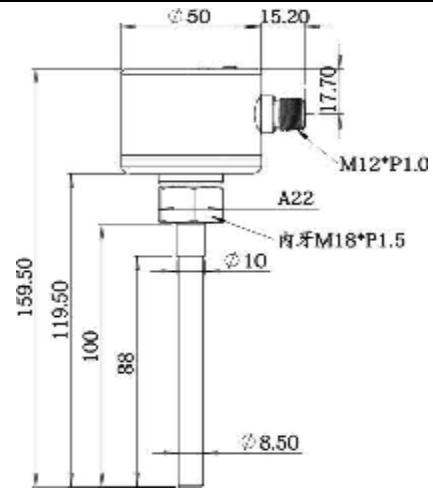
Wiring  
Core color



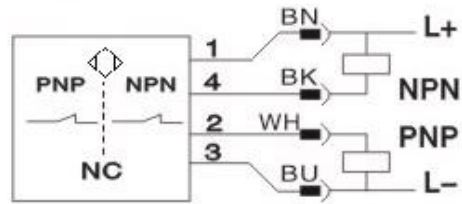
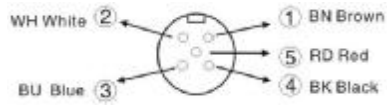
ema

<p>FL6312</p> <p>Rotary flow sensor</p> <p>Stainless Steel Housing</p> <p>Seal Plus waterproof structure</p> <p>Connection:</p> <p>Internal thread M18 x 1.5</p> <p>Programmable</p> <p>M12 socket</p>	
Applications	Liquid and gas
Electric design	PNP/NPN NC
Supply voltage[V]	20...36 DC
Output	NC
Max. overload current[mA]	400
short-circuit protection	Yes
Reverse polarity protection	Yes
Overload protection	Yes
Voltage drop[V]	2.5
Current consumption[mA]	<40
Max. temperature drift[K/min]	300
Pressure resistance[bar]	300
Liquid setting range[cm/S]	3...300
Max sensitivity of range for liquid[cm/S]	3...60
Liquid SP setting[cm/s]	Adjustable via potentiometer (factory setting: 15)
Gas setting range[cm/S]	200...3000
Max sensitivity of range for gas[cm/S]	200...800
Gas SP setting[cm/s]	Adjustable via potentiometer (factory setting: 15)
Startup time[s]	< 8
Output response time[s]	< 2
Ambient temperature[°C/°F]	-25...80/-13...176
Environment temperature[°C/°F]	-25...80/-13...176
Storage temperature[°C/°F]	-25...100/-13...212
Protection/Enclosure Rating	IP68
ESD EN61000-4-2	6kV-CD / 8kV-AD
EFT EN61000-4-4	2kV
Surge immunity test EN61000-4-5	0.5kV
Intercom experiment[mm]	<10
Shock resistance[g]	50
Vibration resistance[g]	20
Upper cover material	Stainless steel316L
Lower cover material	Stainless steel 304
Probe material/Wetted Parts	Stainless steel 316L
Connection	M12 socket

Dimensions[mm]




Wiring  
Core color

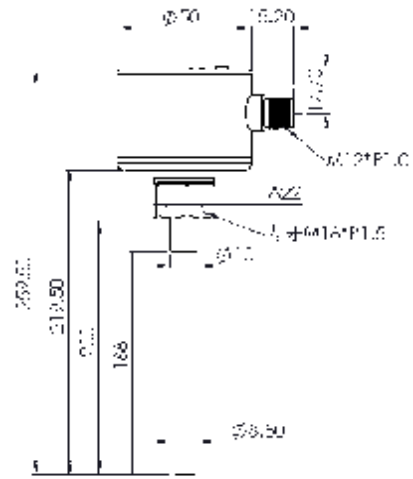


ema

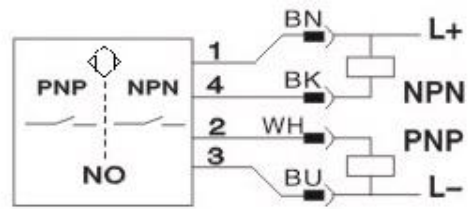
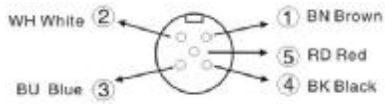


<p>FL6321</p> <p>Rotary flow sensor</p> <p>Stainless Steel Housing</p> <p>Seal Plus waterproof structure</p> <p>Connection:</p> <p>Internal thread M18 x 1.5</p> <p>Programmable</p> <p>M12 socket</p>	
Applications	Liquid and gas
Electric design	PNP/NPN NO
Supply voltage[V]	20...36 DC
Output	NO
Max. overload current[mA]	400
short-circuit protection	Yes
Reverse polarity protection	Yes
Overload protection	Yes
Voltage drop[V]	2.5
Current consumption[mA]	<40
Max. temperature drift[K/min]	300
Pressure resistance[bar]	300
Liquid setting range[cm/S]	3...300
Max sensitivity of range for liquid[cm/S]	3...60
Liquid SP setting[cm/s]	Adjustable via potentiometer (factory setting: 15)
Gas setting range[cm/S]	200...3000
Max sensitivity of range for gas[cm/S]	200...800
Gas SP setting[cm/s]	Adjustable via potentiometer (factory setting: 15)
Startup time[s]	< 8
Output response time[s]	< 2
Ambient temperature[°C/°F]	-25...80/-13...176
Environment temperature[°C/°F]	-25...80/-13...176
Storage temperature[°C/°F]	-25...100/-13...212
Protection/Enclosure Rating	IP68
ESD EN61000-4-2	6kV-CD / 8kV-AD
EFT EN61000-4-4	2kV
Surge immunity test EN61000-4-5	0.5kV
Intercom experiment[mm]	<10
Shock resistance[g]	50
Vibration resistance[g]	20
Upper cover material	Stainless steel316L
Lower cover material	Stainless steel 304
Probe material/Wetted Parts	Stainless steel 316L
Connection	M12 socket


Dimensions[mm]



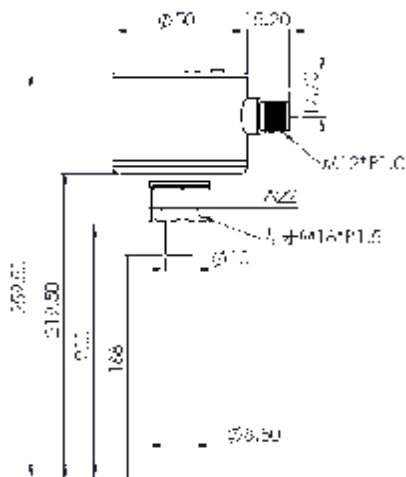
Wiring  
Core color



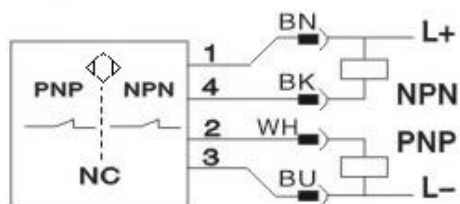
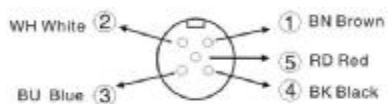
ema

<p>FL6322</p> <p>Rotary flow sensor</p> <p>Stainless Steel Housing</p> <p>Seal Plus waterproof structure</p> <p>Connection:</p> <p>Internal thread M18 x 1.5</p> <p>Programmable</p> <p>M12 socket</p>	
Applications	Liquid and gas
Electric design	PNP/NPN NC
Supply voltage[V]	20...36 DC
Output	NC
Max. overload current[mA]	400
short-circuit protection	Yes
Reverse polarity protection	Yes
Overload protection	Yes
Voltage drop[V]	2.5
Current consumption[mA]	<40
Max. temperature drift[K/min]	300
Pressure resistance[bar]	300
Liquid setting range[cm/S]	3...300
Max sensitivity of range for liquid[cm/S]	3...60
Liquid SP setting[cm/s]	Adjustable via potentiometer (factory setting: 15)
Gas setting range[cm/S]	200...3000
Max sensitivity of range for gas[cm/S]	200...800
Gas SP setting[cm/s]	Adjustable via potentiometer (factory setting: 15)
Startup time[s]	< 8
Output response time[s]	< 2
Ambient temperature[°C/°F]	-25...80/-13...176
Environment temperature[°C/°F]	-25...80/-13...176
Storage temperature[°C/°F]	-25...100/-13...212
Protection/Enclosure Rating	IP68
ESD EN61000-4-2	6kV-CD / 8kV-AD
EFT EN61000-4-4	2kV
Surge immunity test EN61000-4-5	0.5kV
Intercom experiment[mm]	<10
Shock resistance[g]	50
Vibration resistance[g]	20
Upper cover material	Stainless steel316L
Lower cover material	Stainless steel 304
Probe material/Wetted Parts	Stainless steel 316L
Connection	M12 socket

Dimensions[mm]



Wiring  
Core color



**ООО “РусАвтоматизация”**