

SAOL2

OPERATING MANUAL LED OBSTRUCTION LIGHT

Thank you for purchasing QLight product. Please read this manual carefully before installing this product for safe and long use.

1 Pro

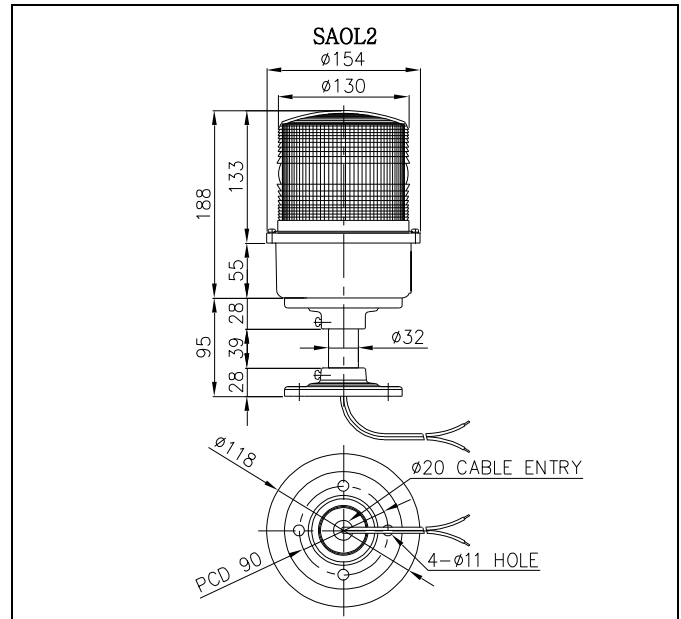
- Employing high-brightness LED as light source, having a long life around 5 years at most based on 12 hours working (steady or flashing) per 1 day. (about 25 times longer self-life than bulb)
- Because of high efficiency of converting electricity into light, LED is lower in power consumption and more economical than bulb of same capacity (Bulb : 100W, LED : 25~50W)
- Easy to maintain, check and replace LED radiation system because it consists of separate units (parts).
- Possible to make the sun switch system which automatically detects the condition of darkening.
- Flashes: 17~20/Min.
- Material: Lens-PC, Body-DIECAST AL
- Protection class: IP56

2 Spe

• General Specification

| | |
|-----------------------|-----------------------------|
| Light Source | High brightness LED |
| FLASHING | 17~20/min |
| COLOR | RED |
| Wattage | 25W |
| Rated voltage | DC12/24V, AC110/220V |
| insulation resistance | 100MΩ at 500V DC |
| Dielectric strength | 500VAC, 50/60Hz in 1 minute |
| Material | Body-DIECAST AL Lens-PC |
| Fitting Hole | M4-Ø11EA(PCD 90) |

• External View Drawing



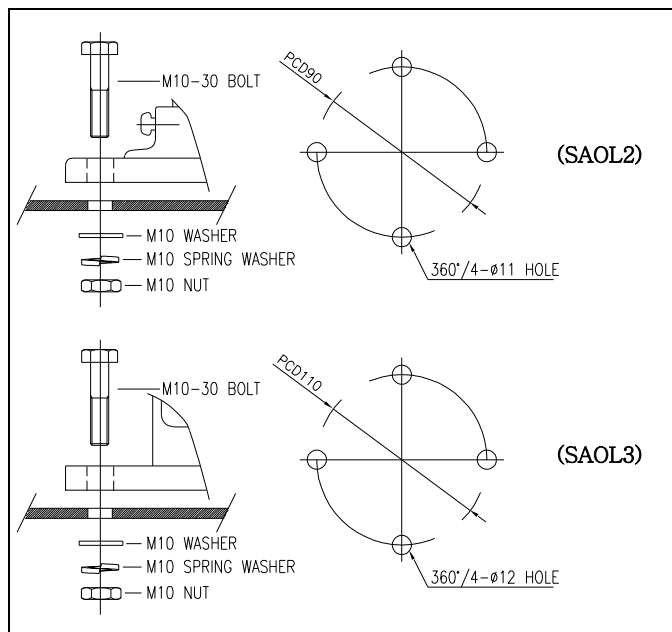
3

Power lines and signal lines come out from the product. Please connect them correctly after referring to below instruction.

- In case of product using AC voltage, connect the line without Polarity (wire color).
- In case of product using DC voltage, black line is negative (-).
- ▶ **Power lines :** UL1015-NO.18(0.75sq) X 2C 400mm

4

- This product was manufactured with the structure for outdoor use. Please mount it at the place where exists low vibration, low impact, low moisture and low dust as long as possible. Mounting also should be done only on the vertical standing direction.
- Please make a hole by a drill where you need to attach our product and refer to below picture for a hole size. (Make sure PCD from external view drawing.)
- Fix the product by using another nuts (M10-EA).



6 Trouble shooting

| Situation | Main reason | Solution |
|-------------------------------|---|---------------------------|
| Non- Lighting Partly | LED is partly damaged, supplying higher voltage than rated voltage. | Making Sure Using Voltage |
| Feeble Lighting | Supplying Voltage Lower Than Rated Voltage | Making Sure Using Voltage |
| Neither Lighting nor Flashing | Wrong Wiring | Making Sure Wiring |
| | No Power Supply | Making Sure Power Supply |

5 Caution

- This product is water-proof and dust-proof. When disassembling or assembling this item for power line connection, repairing, checking, Please keep the bolts tight for all parts.
- Please use cable grand to keep the cable entry for an air tightness. If the cable entry don't keep airtight well and put this product outside, the product may be damaged by dust and water.
- If using voltage is seriously higher or lower than rated voltage, it can reduce the self-life of the product or can cause a problem on product operating. Make sure the using voltage does not exceed +/-5% of the rated voltage.
- If lens or body of the product is contaminated by chemicals such as thinner, benzene, the product can be damaged, discolored or deformed. Please be careful.
- Do not give strong impact to the product. It can be a reason of wire disconnection or short circuit.

— For A/S & Information on Product

QLIGHT CO., LTD.

<http://www.qlight.com>

E-mail : trade@qlight.com

Overseas Marketing Team /Plant

Tel) 055-328-4082 Fax) 055-328-3883

185-25 Mukbang-ro, Sangdong-myeon, Gimhae-si,

Gyeongsangnam-do, 621-816, KOREA