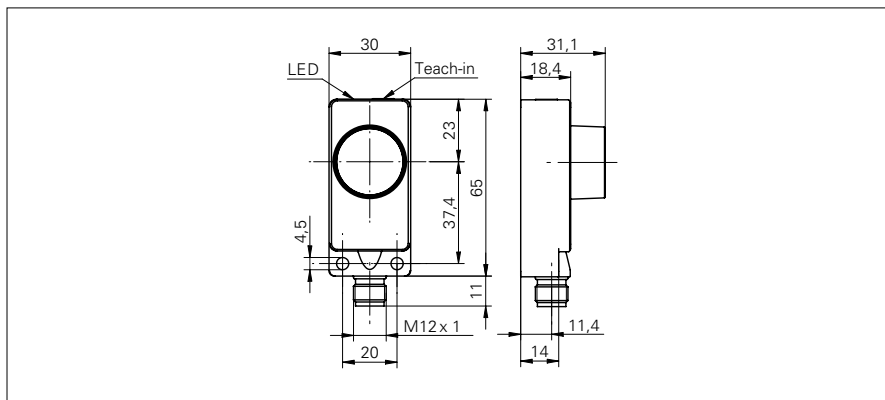


## Ultrasonic distance measuring sensors

## UNDK 30 (Sd = 2000 mm) Ultrasonic sensors

### sample drawing



### general data

scanning range sd	200 ... 2000 mm
scanning range close limit Sdc	200 ... 2000 mm
scanning range far limit Sde	200 ... 2000 mm
repeat accuracy	< 1 mm
resolution	< 0,5 mm
response time ton	< 150 ms
release time toff	< 150 ms
temperature drift	< 2 % of distance to target So
sonic frequency	200 kHz
adjustment	Teach-in
alignment aid	target indication flashing
light indicator	yellow LED / red LED

### electrical data

voltage supply range +Vs	15 ... 30 VDC
output current	< 20 mA
residual ripple	< 10 % Vs
short circuit protection	yes
reverse polarity protection	yes

### voltage output

current consumption max. (no load)	35 mA
output signal	0 ... 10 V / 10 ... 0 V

### current output

current consumption max. (no load)	55 mA
output signal	4 ... 20 mA / 20 ... 4 mA
load resistance +Vs max.	< 1100 Ohm
load resistance +Vs min.	< 400 Ohm

### mechanical data

type	rectangular
housing material	polyester / die-cast zinc
width / diameter	30 mm
height / length	65 mm
depth	31 mm

### sample picture



## Ultrasonic distance measuring sensors

## UNDK 30 (Sd = 2000 mm)

Ultrasonic sensors

### ambient conditions

operating temperature	-10 ... +60 °C
protection class	IP 67

order reference	output circuit	connection types
-----------------	----------------	------------------

UNDK 30I6104/S14	current output	connector M12
------------------	----------------	---------------

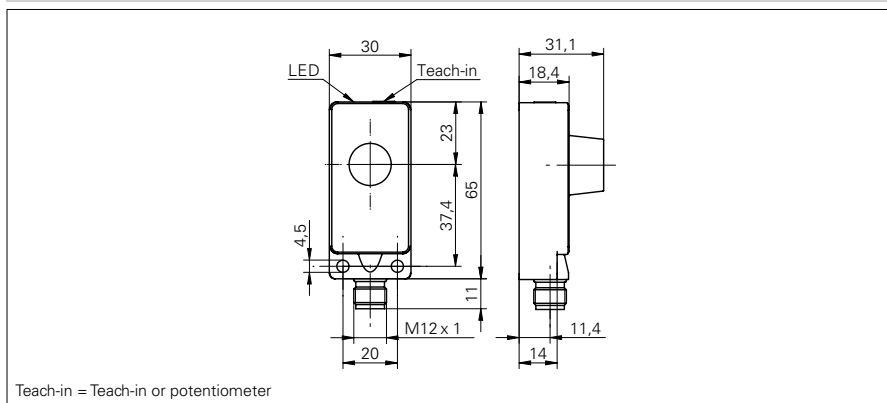
UNDK 30U6104	voltage output	cable, 2 m
--------------	----------------	------------

UNDK 30U6104/S14	voltage output	connector M12
------------------	----------------	---------------

## Ultrasonic distance measuring sensors

## UNDK 30 (Sd = 1000 mm) Ultrasonic sensors

### sample drawing



### general data

scanning range sd	100 ... 1000 mm
scanning range far limit Sde	100 ... 1000 mm
repeat accuracy	< 0,5 mm
resolution	< 0,3 mm
response time ton	< 80 ms
release time toff	< 80 ms
temperature drift	< 2 % of distance to target So
sonic frequency	240 kHz
alignment aid	target indication flashing

### potentiometer

light indicator	LED green
-----------------	-----------

### Teach-in

scanning range close limit Sdc	100 ... 1000 mm
light indicator	yellow LED / red LED

### electrical data

voltage supply range +Vs	15 ... 30 VDC
output current	< 20 mA
residual ripple	< 10 % Vs
short circuit protection	yes
reverse polarity protection	yes

### voltage output

current consumption max. (no load)	35 mA
------------------------------------	-------

### current output

current consumption max. (no load)	55 mA
load resistance +Vs max.	< 1100 Ohm
load resistance +Vs min.	< 400 Ohm

### mechanical data

type	rectangular
housing material	polyester / die-cast zinc
width / diameter	30 mm
height / length	65 mm
depth	31 mm

### sample picture



## Ultrasonic distance measuring sensors

## UNDK 30 (Sd = 1000 mm) Ultrasonic sensors

### ambient conditions

operating temperature -10 ... +60 °C

protection class IP 67

order reference	adjustment	output circuit	output signal	connection types
<b>UNDK 30I6103</b>	Teach-in	current output	4 ... 20 mA / 20 ... 4 mA	cable, 2 m
<b>UNDK 30I6103/S14</b>	Teach-in	current output	4 ... 20 mA / 20 ... 4 mA	connector M12
<b>UNDK 30U6103</b>	Teach-in	voltage output	0 ... 10 V / 10 ... 0 V	cable, 2 m
<b>UNDK 30U6103/S14</b>	Teach-in	voltage output	0 ... 10 V / 10 ... 0 V	connector M12
<b>UNDK 30U9103</b>	potentiometer	voltage output	0 ... 10 VDC	cable, 2 m
<b>UNDK 30U9103/S14</b>	potentiometer	voltage output	0 ... 10 VDC	connector M12



## Ultrasonic distance measuring sensors

## UNDK 30 (Sd = 250 mm) Ultrasonic sensors

### ambient conditions

operating temperature	-10 ... +60 °C
protection class	IP 67

order reference	adjustment	output circuit	output signal	connection types
<b>UNDK 30I6113</b>	Teach-in	current output	4 ... 20 mA / 20 ... 4 mA	cable, 2 m
<b>UNDK 30I6113/S14</b>	Teach-in	current output	4 ... 20 mA / 20 ... 4 mA	connector M12
<b>UNDK 30U6113</b>	Teach-in	voltage output	0 ... 10 V / 10 ... 0 V	cable, 2 m
<b>UNDK 30U6113/S14</b>	Teach-in	voltage output	0 ... 10 V / 10 ... 0 V	connector M12
<b>UNDK 30U9113</b>	potentiometer	voltage output	0 ... 10 VDC	cable, 2 m
<b>UNDK 30U9113/S14</b>	potentiometer	voltage output	0 ... 10 VDC	connector M12



## Ultrasonic distance measuring sensors

## UNDK 30 (Sd = 400 mm)

Ultrasonic sensors

### ambient conditions

operating temperature	-10 ... +60 °C
protection class	IP 67

order reference	adjustment	output circuit	output signal	connection types
<b>UNDK 30I6112</b>	Teach-in	current output	4 ... 20 mA / 20 ... 4 mA	cable, 2 m
<b>UNDK 30I6112/S14</b>	Teach-in	current output	4 ... 20 mA / 20 ... 4 mA	connector M12
<b>UNDK 30U6112</b>	Teach-in	voltage output	0 ... 10 V / 10 ... 0 V	cable, 2 m
<b>UNDK 30U6112/S14</b>	Teach-in	voltage output	0 ... 10 V / 10 ... 0 V	connector M12
<b>UNDK 30U9112</b>	potentiometer	voltage output	0 ... 10 VDC	cable, 2 m
<b>UNDK 30U9112/S14</b>	potentiometer	voltage output	0 ... 10 VDC	connector M12