

Linear Potentiometer Spring Return, Slim Body Series

- Measuring range 10 - 100 mm
- Long mechanical life
- Excellent repeatability <0.01 mm
- Infinite resolution
- 2 kOhm : 10 ... 50 mm
- 5 kOhm : 75 ... 100 mm

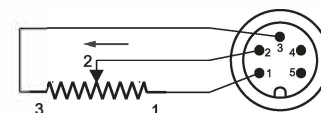
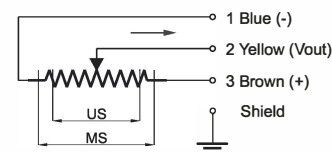
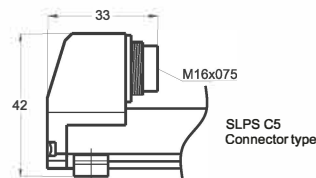
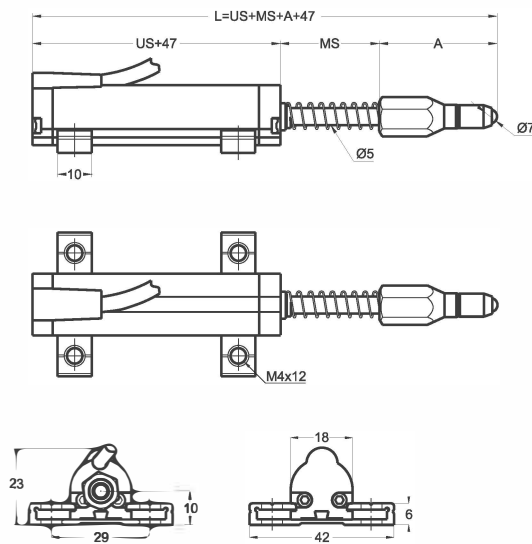


SLPS
Cable type

SLPS
Connector type

Technical specifications

| | |
|-----------------------------|---|
| Measurement stroke | 10 to 100 mm |
| Linearity | ±%0,2 (75 - 100 mm), ±%0,5 (<75 mm) |
| Repeatability | < 0.01 mm |
| Resolution | Infinite |
| Resistance | 2 kOhm: 10 ... 50 mm 5 kOhm: 75 ... 100 mm |
| Resistance tolerance | ± %20 |
| Load resistance | 100 kOhm min. |
| Recommended cursor current | <1 µA |
| Permissible applied voltage | 28 VDC max. |
| Electrical connections | Connector or 1 m cable output |
| Displacement speed | < 5 m/s |
| Mechanical life | 100 million movement |
| Case dimensions | Ø18 mm |
| Case material | Anodized aluminium |
| Rod material | Stainless steel |
| Rod diameter | Ø5 mm |
| Mechanical fixing | Variable brackets |
| IP degree | IP 65 |
| Operating temperature | -20°C ... +80°C |
| Storage temperature | -30°C ... +90°C |



| | | | | | |
|------------------------|-----|-----|-----|-----|-----|
| SLPS(mm) | 10 | 25 | 50 | 75 | 100 |
| US (Usefull Stroke) | 10 | 25 | 50 | 75 | 100 |
| MS (Mechanical Stroke) | 13 | 28 | 53 | 78 | 103 |
| L (Total Length) | 105 | 135 | 192 | 242 | 292 |

| | |
|----------|----|
| A | |
| SLPS 10 | 35 |
| SLPS 25 | 35 |
| SLPS 50 | 42 |
| SLPS 75 | 42 |
| SLPS 100 | 42 |

| Model | Measurement stroke (mm) | Linearity (%) | Resistance (kOhm) | Connector / Cable |
|----------------|-------------------------|--|--|---|
| (example) SLPS | 100 | D | 5K | 1M |
| SLPS | 10 ... 100 mm | D: ±%0,2 (75 - 130 mm) ±%0,5 (<75 mm) | 2K: 2 kOhm (< 75 mm) 5K: 5 kOhm (75 - 100 mm) | 1M : 1 meter cable (standard) 1M5: 1,5 meter cable 2M : 2 meter cable C5 : Connector |