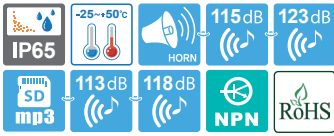


# SMP series

## Self Stand Multi-Functional Electric Horns



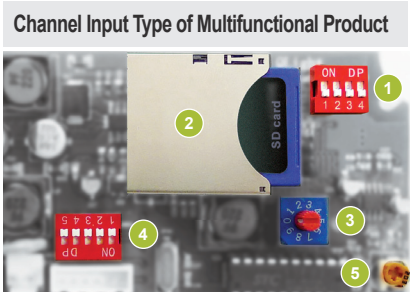
123dB



SMP35/ SMP50

### Common Specifications(SMP35/ SMP50)

- Can prevent cross talk of different voice environments by selecting an audio signal fit for the specific environment and condition
- 30 pre-recorded sound type and supports Binary input mode and Bit input mode
- Binary input mode can playback 30 sound tones by using sound tone select switch
- Volume adjustment and sound selection switches located inside the unit. SDCard in the unit offers convenient operation
- SDCard type allows the user to input the proper voice messages for specific operating conditions
- Support MP3 file and user can input user defined sound
- Tightly sealed structure that blocks dust with IP65 protection rating- suitable for outdoor installation
- Materials : Housing-ABS, Resonance chamber-ABS, Bracket-ST5
- Ambient operating temperature : -25°C to +50°C
- Protection rating: IP65
- Certificates : CE Compliant, UL Listed
- Compliant with RoHS directive



- 1 Switch for sound pattern selection
- 2 SDCard slot for MP3
- 3 Switch for play mode selection
- 4 Switch for channel selection
- 5 Switch for volume adjustment

### Switch for Sound

- Switch No1. allows choosing one option between pre-recorded sound and SDCard



- Bit input mode selection from 6 groups
- 001: WS(5 Warning sounds)
  - 010: WP(5 Special warning sounds 1<sup>st</sup> group)
  - 011: WM(5 Melodies)
  - 100: WA(5 Alarms)
  - 101: WO(5 Special warning sounds 2<sup>nd</sup> group)
  - 110: WN(5 Special warning sounds 3<sup>rd</sup> group)

### Selection between pre-recorded sound mode and SDCard sound mode

- 0: pre-recorded sound mode
- 1: SDCard sound mode

- 30 pre-recorded sounds offered (5 warning sounds, 5 special warning sounds 1<sup>st</sup> group, 5 melodies, 5 alarms, 5 special warning sounds 2<sup>nd</sup> group, 5 special warning sounds 3<sup>rd</sup> group)
- External MP3 sound support (SDcard)
- Binary input : 30 Channels
- Bit input : 5 Channels (6 sound groups)
- A multi-functional product that can use an SDCard for MP3 playback
- Details on how to setup the multi-functional speakerphone are on page 26

### SMP35 Multifunctional Self Stand Type Electric Signal Horn(Supports Warning Sound/ MP3)

- Volume : Max 115dB at 1m

Model number	Voltage	Current	Built-in Sound and dB	Certificate	Weight
SMP35	DC12V-24V	Max 0.800A	<ul style="list-style-type: none"> <li>• Warning : 115dB</li> <li>• MP3 : 113dB</li> <li>• Bit Input : 5Ch</li> <li>• Binary Input : 30Ch</li> </ul>		0.76kg
	AC110V-220V	Max 0.290A			1.03kg

- ※ DC type model has a free-voltage range of 10V-30V.
- ※ AC type model has a free-voltage range of 100V-240V.

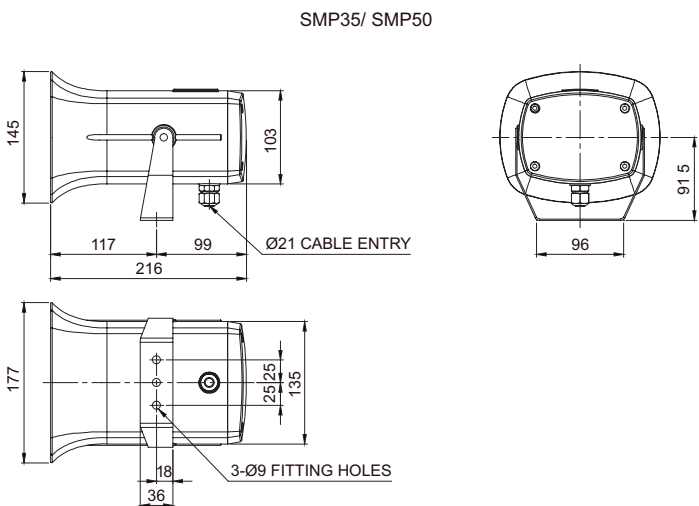
### SMP50 Multifunctional Self Stand Type Electric Signal Horn(Supports Warning Sound/ MP3)

- Powerful 50W unit can generate high signal sound
- Volume : Max 123dB at 1m

Model number	Voltage	Current	Built-in Sound and dB	Certificate	Weight
SMP50	DC12V	1.800A	<ul style="list-style-type: none"> <li>• Warning : 123dB</li> <li>• MP3 : 118dB</li> <li>• Bit Input : 5Ch</li> <li>• Binary Input : 30Ch</li> </ul>		0.95kg
	DC24V	1.000A			1.23kg
	AC110V-220V	Max 0.600A			1.23kg

- ※ AC type model has a free-voltage range of 100V-240V.

### Technical Diagram (Units : mm)



# SMP series

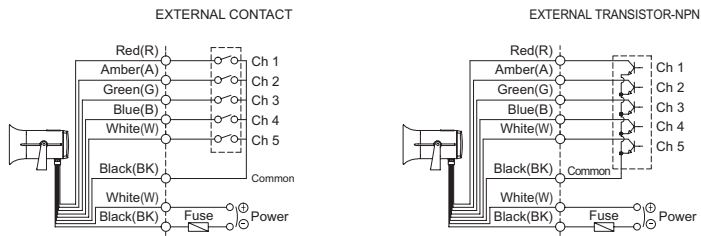
## Self Stand Multi-Functional Electric Horns

Category	Ch	Sound
WS	5 Warning Sounds	Ch1 Fire A-ANG
		Ch2 Emergency WA-U(Yelp)
		Ch3 Ambulance PI-PO(Hi-low)
		Ch4 Machinery Fault
		Ch5 High Expansion
WP	5 Special Warning Sounds (1 <sup>st</sup> group)	Ch1 Fire A-ANG
		Ch2 Abandon Alarm
		Ch3 Machinery Fault
		Ch4 High Expansion
		Ch5 7 Short PI. / 1 Long
WM	5 Melodies	Ch1 Sweet Home
		Ch2 For Elise
		Ch3 Cuckoo's Waltz
		Ch4 Piano Sonata
		Ch5 Turkish March
WA	5 Alarms	Ch1 Beep Intermittent
		Ch2 Door Chime
		Ch3 Phone Ring
		Ch4 PI.PI.PI Short
		Ch5 Tripping Beat
WO	5 Special Warning Sounds (2 <sup>nd</sup> group)	Ch1 Phone Ring
		Ch2 Police
		Ch3 Emergency
		Ch4 Phone Ring 2
		Ch5 911 siren
WN	5 Special Warning Sounds (3 <sup>rd</sup> group)	Ch1 Do-ong Do-ong
		Ch2 Di- Di-
		Ch3 PI.PI.PI long
		Ch4 Li long Li long
		Ch5 Siren

### Sound Selection and Wiring Instructions

- Standard : Select using the switch inside of the unit
- Customized wiring in case of external contact or transistor wiring type as sound tone selector (Model name : -LC)

SMP35/ SMP50 DC/AC



- DC type : Black output is negative(-)
  - Channel selection, 5 sounds played for Bit input and 30 sounds played for binary input
- ※ Please refer to page 26 for detailed channel input instructions.  
(Wiring instruction is substituted for channel selection switch.)

### Ordering Specifications

SMP50	-	110/220	-	LC
[Model number]		[Voltage]		[Sound selection]
• SMP35		• 12/24-DC12V-24V • 110/220-AC110V-220V		• Standard - Built-in Switch
• SMP50		• 12-DC12V • 24-DC24V • 110/220-AC110V-220V		• LC - External contact