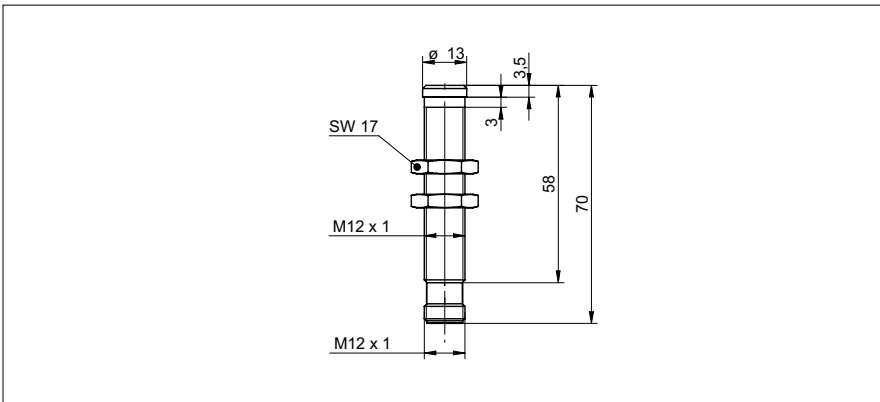


Ultrasonic distance measuring sensors

Ultrasonic sensors UNAR 12I9914/S14H

dimension drawing



general data

special type	chemically robust
scanning range Sd	20 ... 200 mm
scanning range close limit Sdc	20 ... 200 mm
scanning range far limit Sde	20 ... 200 mm
repeat accuracy	< 0,5 mm
resolution	< 0,3 mm
response time ton	< 30 ms
release time toff	< 30 ms
temperature drift	< 2 % of distance to target So
sonic frequency	380 kHz
adjustment	external Teach-in
alignment aid	no LED
approvals/certificates	Ecolab

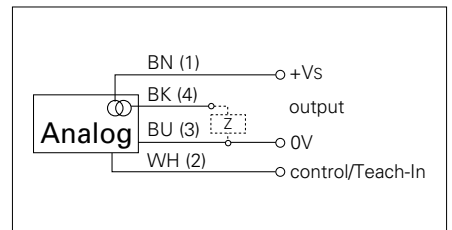
photo



electrical data

voltage supply range +Vs	15 ... 30 VDC
current consumption max. (no load)	45 mA
output circuit	current output
output signal	0 ... 10 mA / 10 ... 0 mA
output current	< 20 mA
load resistance +Vs max.	< 1100 Ohm
load resistance +Vs min.	< 400 Ohm
residual ripple	< 10 % Vs
short circuit protection	yes
reverse polarity protection	yes

connection diagram



- chemically robust version

mechanical data

type	cylindrical threaded
housing material	stainless steel 1.4404 (V4A)
coating active face	Parylene
material O-ring	EPDM
front of sensor durable against pressure	6 bar, 20'000 cycle
width / diameter	12 mm
height / length	70 mm
connection types	connector M12

Ultrasonic distance measuring sensors

Ultrasonic sensors UNAR 12I9914/S14H

ambient conditions

operating temperature	0 ... +60 °C
protection class	IP 67

typical sonic cone profile

