



## cMT-iV5

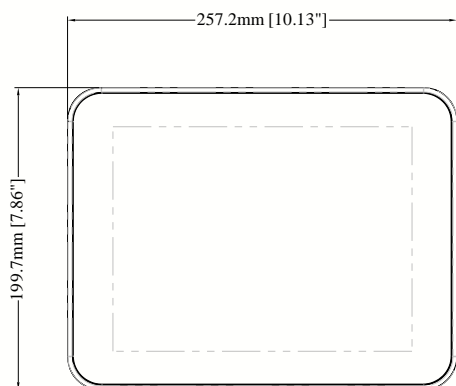
### Cloud Human Machine Interface

#### Features

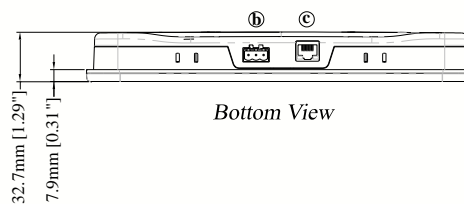
- One Gigabit Ethernet Port
- Built-in 512MB Flash Memory
- Fan-less Cooling System
- Power Isolator Inside
- Built-in mono speaker

<b>Display</b>	Model	cMT-iV5
	Display	9.7" TFT
	Resolution (WxH dots)	1024 x 768
	Brightness (cd/m <sup>2</sup> )	350
	Contrast Ratio	500:1
	Backlight Type	LED
	Backlight Life Time	>30,000 hrs.
	Colors	262K
<b>Touch Panel</b>	Type	Tempered Glass, Capacitive Type
	Accuracy	Active Area Length(X)±2%, Width(Y)±2%
<b>Memory</b>	Storage	512 MB
	RAM	1 GB
<b>Processor</b>		32 bits RISC Cortex A9 1GHz
<b>I/O Port</b>	SD Card Slot	N/A
	USB Host	N/A
	USB Client	N/A
	Ethernet	10/100/1000M
	COM Port	N/A
	Audio Output	Built-in Mono Speaker
	Video Input	N/A
<b>RTC</b>		Built-in
<b>Power</b>	Input Power	24±20%VDC
	Power Consumption	900mA@24VDC
	Power Isolation	Built-in
	Voltage Resistance	500VAC (1 min)
	Isolation Resistance	Exceed 50MΩ at 500VDC
	Vibration Endurance	10 to 25Hz(X,Y,Z direction 2G 30 minutes)
<b>Specification</b>	Enclosure	Plastic
	Dimensions WxHxD	257.2 x 199.7 x 32.7mm
	Panel Cutout (mm)	248.5 x 191 mm
	Weight (kg)	Approx.0.76 kg
<b>Environment</b>	Protection Structure	NEMA4 / IP65 / UL508 Type 1 (Indoor)
	Storage Temperature	-20°~60°C (-4° ~ 140°F)
	Operating Temperature	0° ~ 50°C (32° ~ 122°F)
	Relative Humidity	10% ~ 90% @ 40°C (non-condensing)
	PCB Coating	Yes
<b>Certificate</b>	CE	CE marked
	UL	cULus Listed
<b>Language</b>	Display	English, French, Italian, Spanish, Russian, Simplified Chinese, Traditional Chinese, Korean, Deutsch
	Input Methods	English, French, Italian, Spanish, German, Russian, Pinyin, Zhuyin

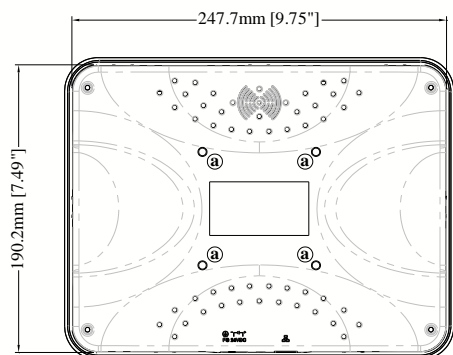
## cMT-iV5 Dimensions



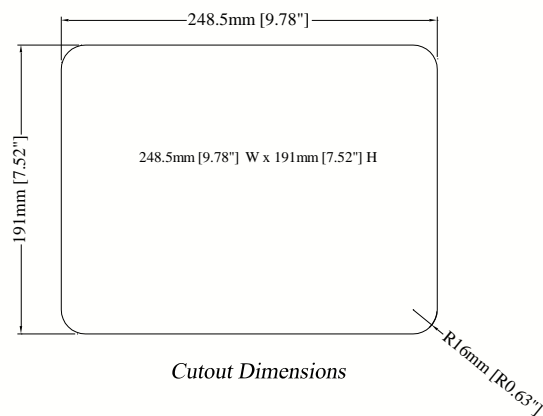
Front View



Bottom View



Rear View



Cutout Dimensions

<b>a</b>	<b>VESA 75mm screw holes</b>	<b>c</b>	<b>Ethernet Port</b>
<b>b</b>	<b>Power Connector</b>		

### Ordering Information

#### cMT-iV5

Cloud Human Machine Interface  
 512MB flash memory  
 1GB RAM on board  
 10/100/1000M Ethernet port x 1

#### cMT-SVRiV5

cMT-SVR & cMT-iV5 Bundle Package  
 cMT-SVR x 1  
 cMT-iV5 x 1  
 Ethernet cable 2m x 1

### ООО "РусАвтоматизация"

454010 г. Челябинск, ул. Гагарина 5, оф. 507  
 тел. 8-800-775-09-57 (звонок бесплатный), +7(351)799-54-26, тел./факс +7(351)211-64-57  
[info@rusautomation.ru](mailto:info@rusautomation.ru); [rusautomation.ru](http://rusautomation.ru); [www.rusautomation.ru](http://www.rusautomation.ru)