

OPERATING MANUAL

SM30 / SM40 / SM200 / SM400

OPERATING MANUAL

Motor Siren

Thank you for purchasing QLight product. Please read this manual carefully before installing this product for safe and long use.

1) Pro

- High in durability and suitable for warning signal transmission for vessel, crane, hoist and fire alarm.
- Standard Body Color: RED-SM30, SM200, SM400, GRAY-SM40
- Material: DIECAST AL-SM200, SM400. STEEL-SM30. ABS-SM40.
- Insulation Resistance: 100MΩ (at 500 VDC)
- Dielectric Strength: 500V AC, 50/60Hz in 1 minute
- Protection Class: IP44
- Operating Temperature: -20°C~50°C

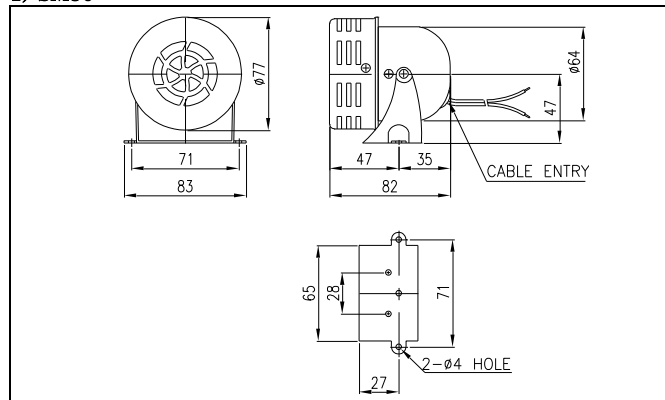
2) Spe

General Specification

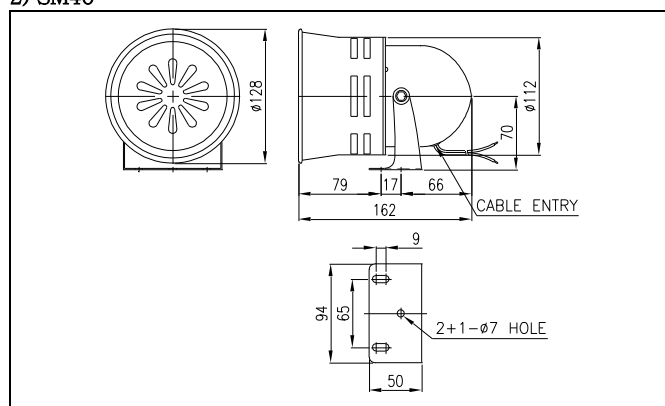
Model	Volume (Max)	Rated Voltage	Current	Weight	RPM	Rating
SM30	114dB	DC12V	3.23A	0.22Kg	10,000	10min.
		DC24V	1.78A	0.22Kg		
		AC110V	1.34A	0.42Kg		
		AC220V	1.00A	0.42Kg		
SM40	116dB	DC12V	6.78A	0.53Kg	7,000	10min.
		DC24V	3.67A	0.53Kg		
		AC110V	1.00A	0.68Kg		
		AC220V	0.73A	0.68Kg		
SM200	120dB	DC24V	4.89A	2.19Kg	7,200	10min.
		AC110V	2.67A	2.55Kg		
		AC220V	1.49A	2.55Kg		
SM400	123dB	DC24V	4.40A	3.19Kg	7,600	10min.
		AC110V	4.00A	3.75Kg		
		AC220V	2.80A	3.75Kg		

External View Drawing

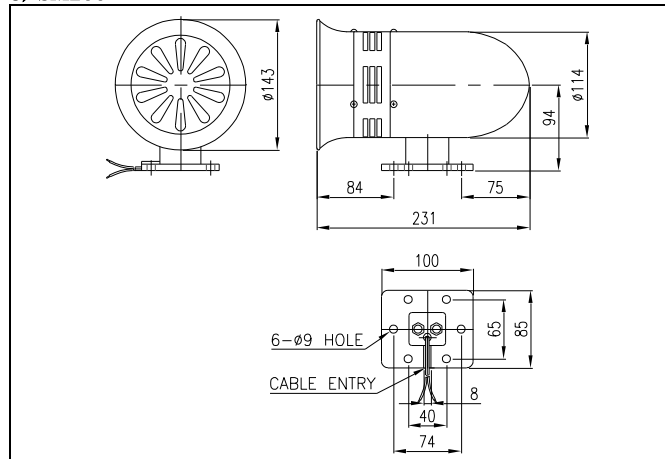
1) SM30



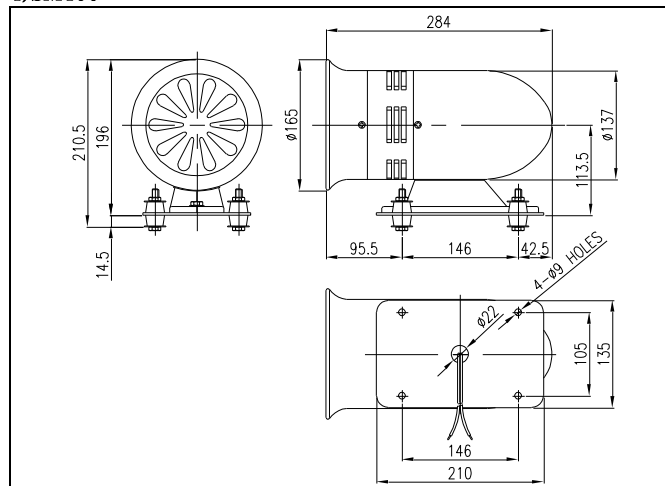
2) SM40



3) SM200



4) SM400



OPERATING MANUAL

3 Wiring

Please refer to below chart for power line size per item.

Model	Output power line
SM400	1.25sq
SM200	0.75sq
SM40	0.75sq
SM30	0.75sq

- In case of product using AC voltage, connect the line without Polarity(wire color).
- In case of product using DC voltage, black line is negative(-).

4 Mounting

- Please make a hole by a drill where you need to attach our product and refer to below picture for a hole size. (Make sure PCD from external view drawing.)
- Fix the product by using another bolts and nuts as below.

Model	Bolt, nuts size	Quantity of Bolt, nuts(SET)
SM400	M8	4
SM200	M8	6
SM40	M6	3
SM30	M4	2

5 Caution

- If using voltage is seriously higher or lower than rated voltage, it can reduce the self-life of the product or can cause a problem on product operating. Make sure the using voltage does not exceed +/-5% of the rated voltage.
- Do not operate continuously for more than 10 minutes. It can cause disorder or reduction of shelf-life.
- If lens or body of the product is contaminated by chemicals such as thinner, benzene, the product can be damaged, discolored or deformed. Please be careful.

6 Trouble shooting

Situation	Main reason	Solution
Volume Decreasing	Supplying Voltage Lower Than Rated Voltage	Making Sure Using Voltage
Too high sound tone than the standard	Supplying Voltage Higher than Rated Voltage	Making Sure Using Voltage
No sound	Problem with Motor	Contact Q.Light or Their Agent
	Wrong Wiring	Making Sure Wiring
	No Power Supply	Making Sure Power Supply

Q-LIGHT CO., LTD.

<http://www qlightkr.com>

E-mail : qlightkr@qlightkr.com

Overseas Marketing Team /Plant

Tel) 055-328-4082 Fax) 055-328-4083

178-1 Woogye-Ri, Sangdong-Myun, Kimhae-Si, KyungNam, Korea