

- Ø140mm high-intensity LED strobe warning lights for heavy-duty equipment
- Qlight's diffusion lens and reflector system developed to maximize its light output.



### Common Specifications(QA140HLSP/ QA140DLSP)

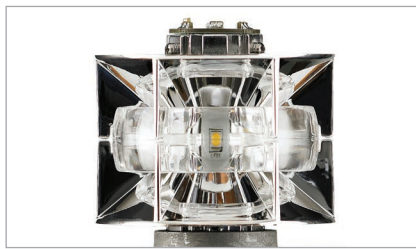
- Applies a special built-in filter to compensate for shortcomings of the LED warning light when attenuation to sunlight in bright outdoor environments occur
- Wide angle filter provides excellent visibility from top to bottom
- Vibration resistant and shock-proof : Can withstand 15g of vibration and 100g of shock
- Pole mount type
- Equipped with angel-adjustable bracket
- Flashing rate : 60-80 flashes/min
- Materials : Housing-PC, Diffusion lens-PC, Lens-PC, Reflector-Heat resistant ABS, Bracket-SUS
- Ambient operating temperature : -30°C to +50°C
- Protection rating : IP66
- Designed for heavy equipment applications
- Certificates : CE Compliant, E11
- Compliant with RoHS directive



QA140HLSP

### Superior light output through the Qlight's exclusive diffusion lens and reflector

The inner ring-shaped diffusion lens is specially designed to help minimize the loss of light output. The inner diffusion lens and reflector structure allows for light to be spread both horizontally and vertically for accurate signal light transmission.



Standard Model



High Brightness Model

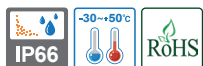
### Ensuring visibility with wide angle light output

To compliment the drawbacks of a typical one directional LED, The light emitting structure is designed to secure a wide viewing angle. Thus, eliminating potential disadvantages of mounting a typical LED at a higher position. It's design allows for easy visibility at close ranges and high mounting positions.



# QA140HLSP series

LED Strobe Warning Lights for Heavy-Duty Equipment



Excellent durability and shockproof by using high hardness PC material for the lens.



Bendable pole structure prevents damage from external impact.

## Vibration resistant, shock-proof, dustproof, and waterproof products

Durable and enclosed product structure was produced for direct exposure to the environments of heavy equipment such as vibration and shock, dust and water.

## Bendable pole structure prevents damage from external impact

Pole mount product is designed to prevented damage from external impact by bending in the opposite direction when impact occurs.

### QA140HLSP LED Strobe Warning Light

Model number	Brightness type	Brightness	Voltage	Current	Certificates	Weight	Color
QA140HLSP	Standard	110Lux	DC12V	0.820A	 DC24V Only	1.16kg	● R-Red ● A-Amber
			DC24V	0.600A			

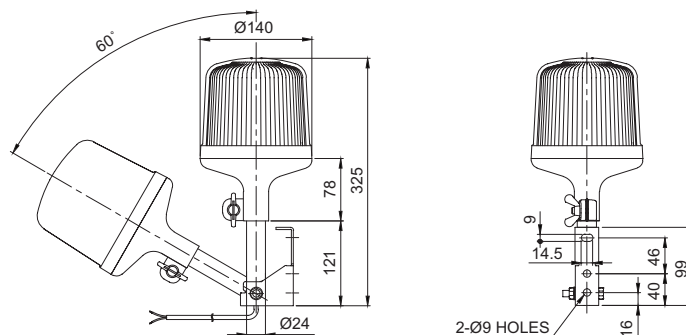
### QA140DLSP LED Strobe Warning Light

Model number	Brightness type	Brightness	Voltage	Current	Certificates	Weight	Color
QA140DLSP	High brightness	170Lux	DC12V	1.640A	-	1.18kg	● R-Red ● A-Amber
			DC24V	1.040A			

### Technical Diagram

(Units : mm)

QA140HLSP



### Wiring Instructions

- External power line standard : KSC3304 0.85sq×2C 400mm
- Product can be wired regardless of polarity

### Customization

- Connector type wiring products

### Ordering Specification

QA140HLSP	-	12	-	R
[Model number]		[Voltage]		[Color]
<ul style="list-style-type: none"> <li>• QA140HLSP</li> <li>• QA140DLSP</li> </ul>		<ul style="list-style-type: none"> <li>• 12-DC12V</li> <li>• 24-DC24V</li> </ul>		<ul style="list-style-type: none"> <li>● R-Red</li> <li>● A-Amber</li> </ul>

## ООО "РусАвтоматизация"

454010 г. Челябинск, ул. Гагарина 5, оф. 507  
 тел. 8-800-775-09-57 (звонок бесплатный), +7(351)799-54-26, тел./факс +7(351)211-64-57  
[info@rusautomation.ru](mailto:info@rusautomation.ru); русавтоматизация.рф; [www.rusautomation.ru](http://www.rusautomation.ru)