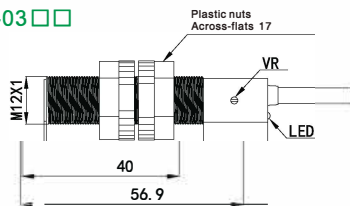
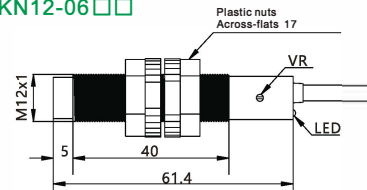
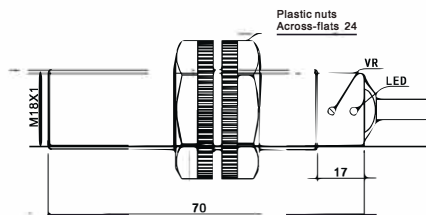
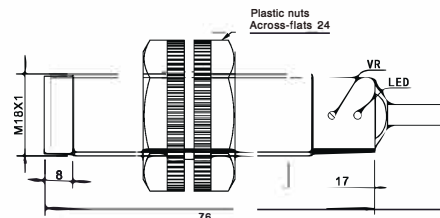
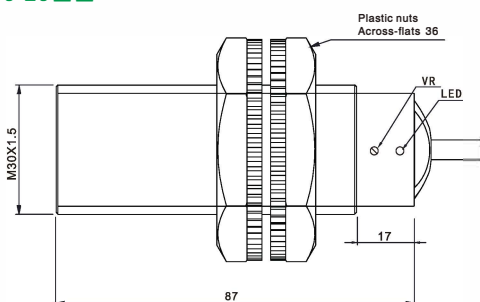
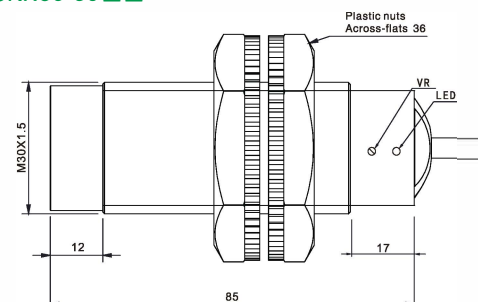




Appearance							
Mounting	Shielded			Unshielded			
Housing size	M12	M18	M30	M12	M18	M30	
Sensing distance	1~3mm adjustable	2~8mm adjustable	2~20mm adjustable	1~6mm adjustable	2~15mm adjustable	2~30mm adjustable	
Housing material	PBT						
Operating voltage	10~30V DC (Ripple < 10%)						
Voltage drop	< 2V						
Load Current, Max	150mA	300mA		150mA	300mA		
Current consump	< 10mA						
Leakage current	< 0.01mA						
Switch frequency	100Hz						
Repeat accuracy	< 5% (Sr)						
Hysteresis	< 15% (Sr)						
Sensing surface material	PBT						
Operating Temperature	-25°C ~ +75°C						
Protective circuit	Short circuit						
Degree of protection	IP67						
Model	NPN Normally open	CKF12-03 NCO	CKF18-08 NCO	CKF30-20 NCO	CKN12-06 NCO	CKN18-15 NCO	CKN30-30 NCO
N	Others	NCO :NPN Normally open	NCC :NPN Normally closed	PCO :PNP Normally open	PCC :PNP Normally closed		

Dimensions-Plastic Shells (Unit:mm)
M12
CKF12-03 □ □

CKN12-06 □ □

M18
CKF18-08 □ □

CKN18-15 □ □

M30
CKF30-20 □ □

CKN30-30 □ □


Corrosion Resistance

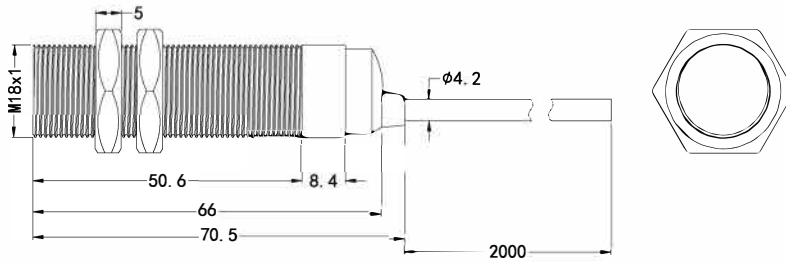


Corrosion resistance

Appearance	
Mounting	Shielded
Housing size	M18
Sensing distance	1~10mm adjustable
Detectable objects	Metal、Water、Oil、Glass、Plastic、Paper
Operating voltage	12~24V DC(Ripple < 10%)
Voltage drop	< 1.5V
Load Current, Max	100mA
Current consumption	< 22mA
Leakage current	< 1.1mA
Response time	≤ 14ms
Isolation impedance	≥ 20M Ω (500V DC)
Hysteresis	< 10% (Sr)
Insulation withstand voltage	AC 1000V 60Hz lasts 60 Sec
Operating temperature	-20℃~+60℃
Degree of protection	IP66
Connection	φ 4.2X2m 4 core cable
Weight	≈ 78g
Model No.	CWF18-10NP (NPN NO/NC PNP NC/NO)

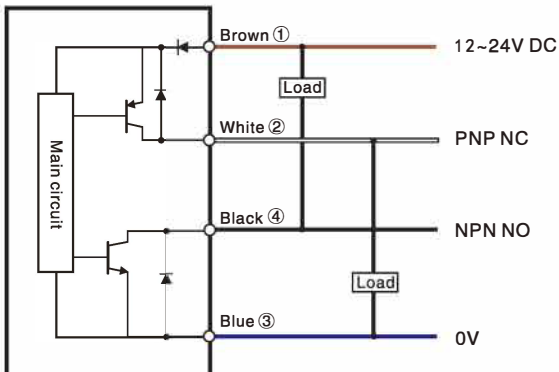
Dimensions

Unit:mm

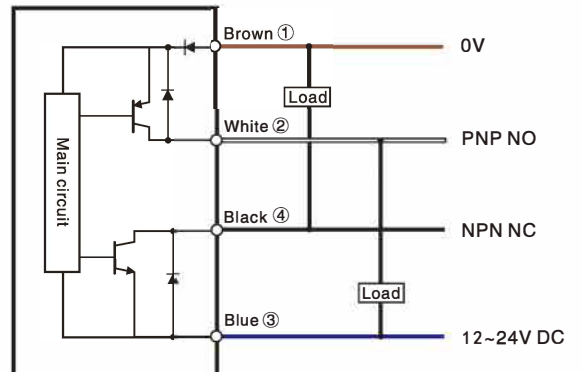


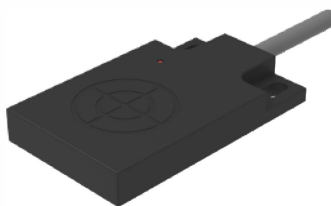
Circuit diagram

Method 1:



Method 2:

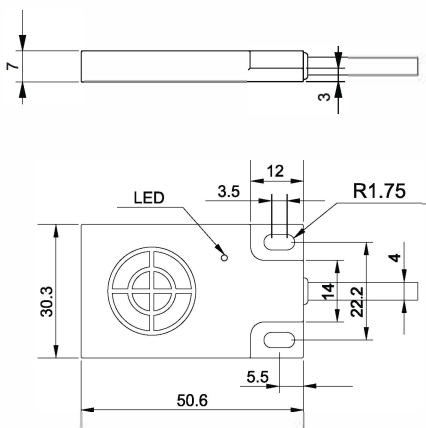




Appearance

Sensing distance	5mm(adjustable)	10mm(adjustable)
Housing material	Plastic,black/blue	
Operating voltage	24V DC(Ripple < 10%)	
Voltage drop	≤15V@1L=50mA	
Output type	NPN or PNP –NO/NC	
Load Current, Max	≤50mA	
Current consumption	≤100mA	
Switch frequency	10Hz	
Repeat accuracy	< 5%	
Operating Temperature	0°C~+60°C	
Storage temperature	-30°C~+75°C	
Temperature drift	≤20%	
Protective circuit	Reverse polarity, Over voltage pulse protection, Short circuit	
Degree of protection	IP67	
Model No.	NPN Normally open	CQ07-10 NC
	NPN Normally closed	CQ07-05 NC
	PNP Normally open	PC
	PNP Normally closed	PC

Dimensions (Unit:mm)



Liquid Level Detection

Pre-wired

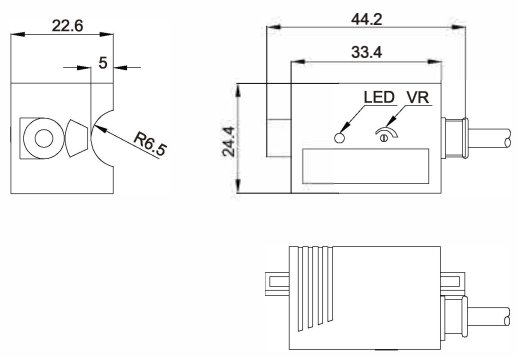


Appearance		
Mounting	Unshielded	
Operating voltage	10~30V DC	
Load Current, Max	150mA	
Voltage drop	< 2.5V	
Current consumption	< 15mA	
Hysteresis	3~20%	
Repeat accuracy	< 3%	
Switch frequency	20Hz	
Indicator	Yellow LED	
Material	Nonmetal	
Pipeline External diameter	$\phi 8 \sim \phi 11$	$\phi 12 \sim \phi 26$
Wall thickness	< 1mm	
Protective circuit	Reverse polarity/Short circuit	
Ambient temperature	-25°C~+75°C	
Degree of protection	IP67	
Housing material	PBT	
Connection	2mPVC Cable	
Model No.	NPN Normally open	CE15-13 NNO
	Others	NNO:NPN Normally open NNC:NPN Normally closed PNNO:PNP Normally open PNNC:PNP Normally closed

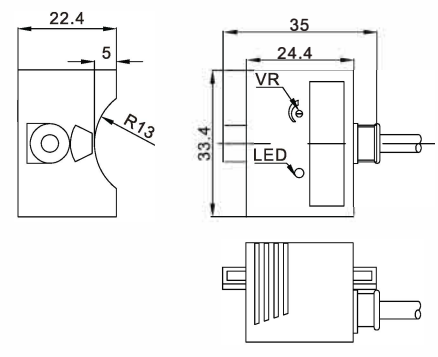


Dimensions (Unit:mm)

CE15
CE15-13 □□



CE30
CE30-26 □□



ООО "РусАвтоматизация"

454010 г. Челябинск, ул. Гагарина 5, оф. 507
 тел. 8-800-775-09-57 (звонок бесплатный), +7(351)799-54-26, тел./факс +7(351)211-64-57
info@rusautomation.ru; rusautomation.pф; www.rusautomation.ru