

## 4-CH U-shaped Type


### ■ Features

- Highly reliable 4 channel detection
- High-speed response time under 1 ms
- Built-in reverse polarity protection circuit and output short overcurrent protection circuit
- IP65 protection structure (IEC standard)

 Please read "Safety Considerations" in the instruction manual before using.








### ■ Specifications

Model	BUM4-40D-W-4M	BUM4-40D-W-2M/A	BUM4-40D-W-3M/A	BUM4-40D-W-4M/A	BUM4-40D-W-2M/B	BUM4-40D-W-3M/B	BUM4-40D-W-4M/B
Sensing type	Through-beam						
Sensing distance	40mm						
Sensing target	Opaque materials of min. Ø4.0mm						
Sensing CH	4 channels						
Hysteresis	Max. 1ms						
Power supply	18-35VDC±10% (ripple P-P: max. 10%)						
Current consumption	Max. 50mA						
Light source	Infrared LED (940nm)						
Operation mode	Dark ON						
Control output	NPN open collector output (individual 4 outputs) • Load voltage: max. 35VDC±, • Load current: max. 100mA, • Residual voltage: max. 4VDC±						
Protection circuit	Reverse polarity protection circuit, output short overcurrent protection circuit						
Indicator	Output indicator: red LED, power indicator: green LED						
Insulation resistance	Over 20MΩ (at 500VDC megger)						
Noise immunity	±240V the square wave noise (pulse width 1μs) by noise simulator						
Dielectric strength	1000VAC 50/60Hz for 1 min						
Vibration	1.5mm amplitude at frequency of 10to 55Hz (for 1 min) in each X, Y, Z direction for 2 hours						
Shock	500m/s <sup>2</sup> (approx. 50G) in each X, Y, Z direction for 3 times						
Environment	Ambient illumination	Sunlight: max. 11,000lx, incandescent lamp: max. 3,000lx (receiver illumination)					
	Ambient temperature	-25 to 65°C, storage: -25 to 70°C					
	Ambient humidity	35 to 85%RH, storage: 35 to 85%RH					
Protection	IP65 (IEC standards)						
Material	Case, cover: ABS						
Cable	Ø6.0mm, 8-wire (AWG 22, core diameter: Ø1.2mm, number of cores: 60)						
Cable length	4m	2m	3m	4m	2m	3m	4m
Bracket	—	H01/H04 (G01)			H03/H04 (G02)		
Accessory	M12 bolt: 4, M12 nut: 4, M5 bolt: 2						
Approval							
Weight <sup>※1</sup>	Approx. 510g (approx. 500g)		Approx. 1.5kg (approx. 500g)				

※1: The weight is with packaging and the weight in parenthesis is only unit weight.

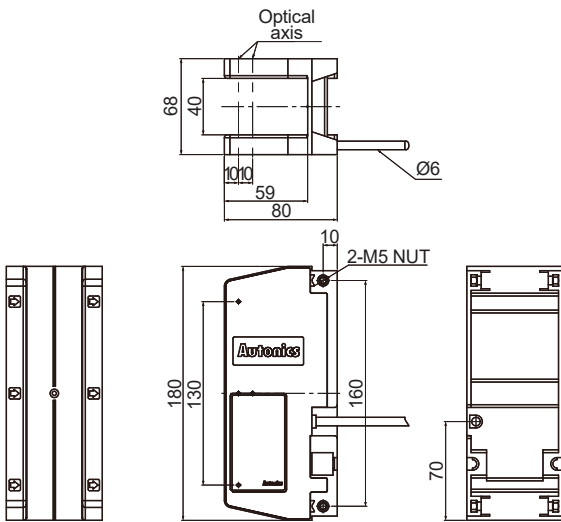
※ The temperature or humidity mentioned in Environment indicates a non-freezing or condensation environment.

### ■ Operation Mode

Operaiton mode	Dark ON	
Receiver operation	Received light	
Operation indicator (LED)	ON	
	OFF	
Transistor output	ON	
	OFF	

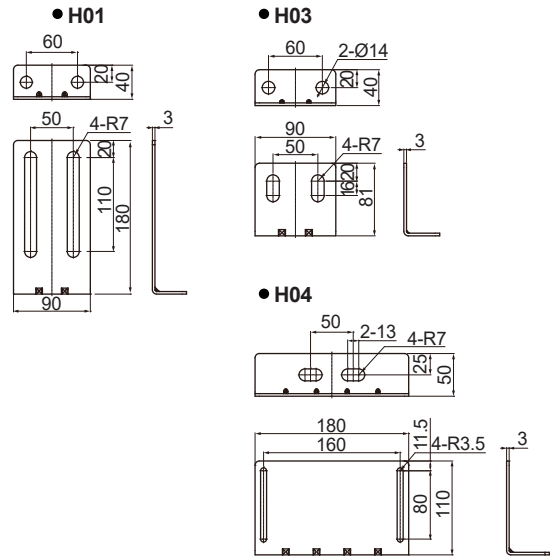
# BUM Series

## ■ Dimensions

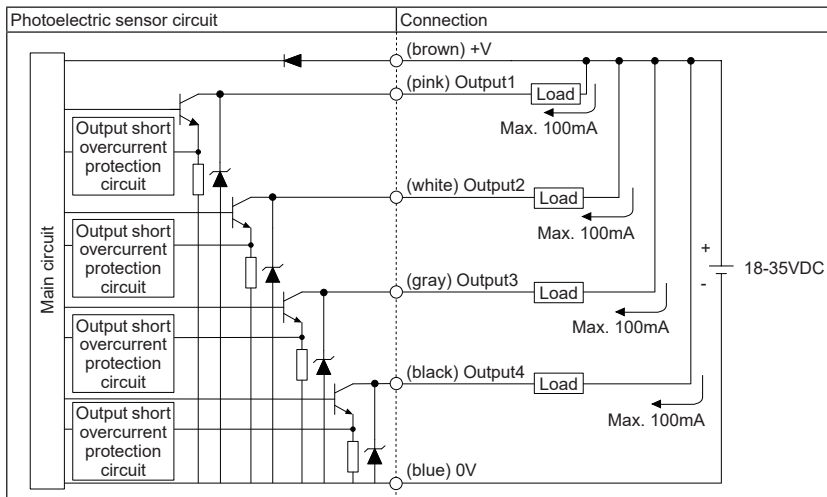


## ○ Bracket

(unit: mm)

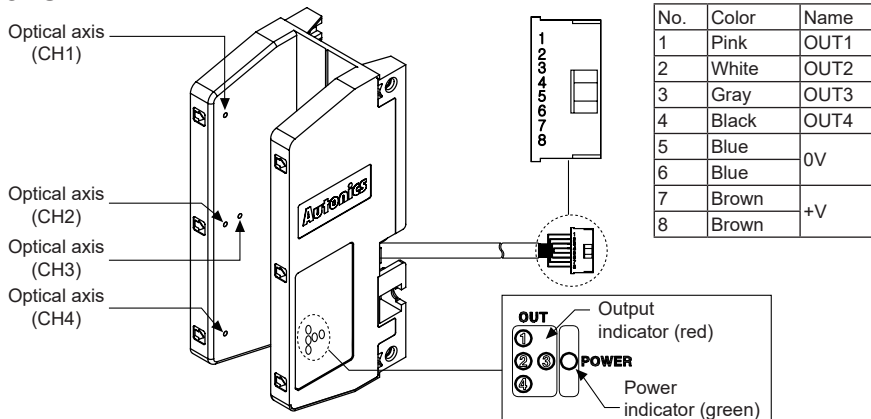


## ■ Control Output Diagram



⊗ If short-circuit the control output terminal or supply current over the rated specification, normal control signal is not output due to the output short over current protection circuit.

## ■ Connections



## ООО "РусАвтоматизация"

454010 г. Челябинск, ул. Гагарина 5, оф. 507  
 тел. 8-800-775-09-57 (звонок бесплатный), +7(351)799-54-26, тел./факс +7(351)211-64-57  
[info@rusautomation.ru](mailto:info@rusautomation.ru); [rusavtomatizacija.pf](http://rusavtomatizacija.pf); [www.rusautomation.ru](http://www.rusautomation.ru)