

- For local display of measured value (level)
- Easy direct mounting onto a level meter under connector
- 4-digit LED display
- Easy setting by 2 button
- Processor control of display
- Powered from current loop (4 ... 20 mA)

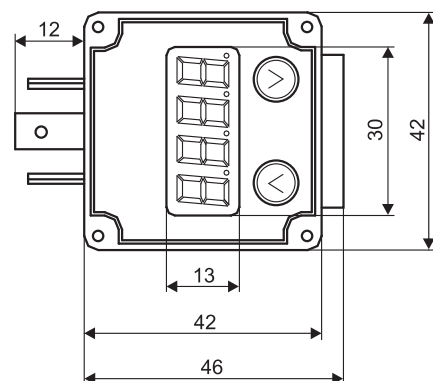
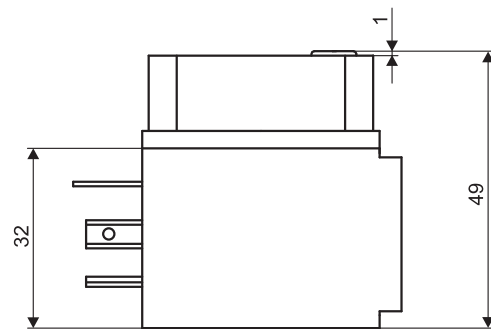


LDU-401 process indicator is fit for all level meters with 4 ... 20 mA with 2-wire technique. Customer can use the two buttons to program the zero point, span, decimal point, damping and alarm point etc. Over or under range are displayed as a message. The integrated smart diagnostic system continuously monitors all device function. The programmed parameters are stored in an EEPROM and being kept in case of a power failure. The plug-on display is simply plugged in between connector and socket; it is then ready for operation.

TECHNICAL DATA

Input signal	4 ... 20 mA
Voltage drop	< 2.5V
Accuracy	0,1% ± 1 digit
Display	4 digit, LED, height of digit 7mm
Ambient temperature range	-20 ... +70°C
Storage temperature range	-30 ... +85°C
Connection	Connector acc. to DIN 43 650
Housing	plastic ABS
Protection class	IP65
Dimension	42 x 46 x 49 mm
Weight	approx. 80 g

DIMENSIONAL DRAWING



ELECTRICAL CONNECTION

Positive pole (+ U) is connected to pin No. 1, negative pole (0 V) is connected to pin No. 2. The plug-on display is powered by the current loop of the 4 to 20 mA, no additional auxiliary power is required.

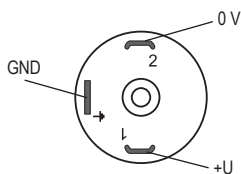




Fig. 1: LDU-401 socket

SETTINGS

Customer can use the two buttons  and  to program LDU-401. For detailed information please read at the instruction manual.

ACCESSORIES

Standard – included in the LD–401 price

- 1 pc fixing screw M3x90
 - 1 pc rubber seal
-

SAFETY, PROTECTIONS AND COMPATIBILITY

Local indicator LDU–401 are equipped with protection against reverse polarity and short circuit.
Electromagnetic compatibility according to EN 50081-2 and EN 50082-2.

ООО “РусАвтоматизация”

454010 г. Челябинск, ул. Гагарина 5, оф. 507
тел. 8-800-775-09-57 (звонок бесплатный), +7(351)799-54-26, тел./факс +7(351)211-64-57
info@rusautomation.ru; [русавтоматизация.рф](http://rusавтоматизация.рф); www.rusautomation.ru