

OPERATING MANUAL

SEHN25 / SEHN50

OPERATING MANUAL

Heavy Duty Signal Phone

Thank you for purchasing QLight product. Please read this manual carefully before installing this product for safe and long use.

1 Pro

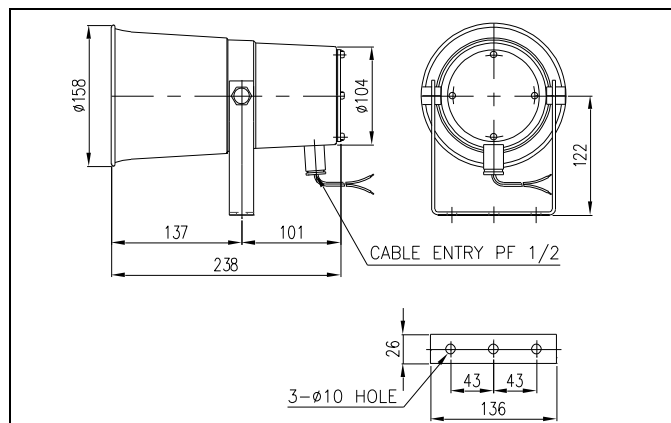
- Heavy-duty product of steel housing type which is very adaptive to the environments where always exists noise, moisture and dust.
- Possible to control volume level by using the built-in volume controller.
- Standard Body Color: Red
- Material: Body-Steel Housing
- Volume(Max): SEHN25 108~115dB/m, SEHN50 115~120dB/m
- Protection Class: IP55
- Operating Temperature: -20°C~50°C

2 Spe

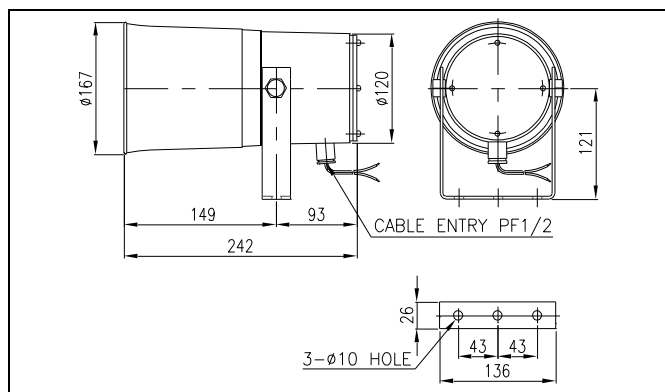
• General Specification

Model	Main Built-in Sounds		Voltage/Current		Weight	
			SEHN25	SEHN50	SEHN25	SEHN50
SEHN25	WS	5Warning Sounds	DC12V /2.211A	DC12V /2.211A	DC -2.24Kg	DC -2.67Kg
			DC24V /1.022A	DC24V /1.055A		
SEHN50	WM	5Melodies	AC110V /0.226A	AC110V /0.244A	AC -2.50Kg	AC -3.30Kg
			AC220V /0.113A	AC220V /0.122A		
			WA	5Alarms		
	WV	3Voice Signals				

• External View Drawing -SEHN25



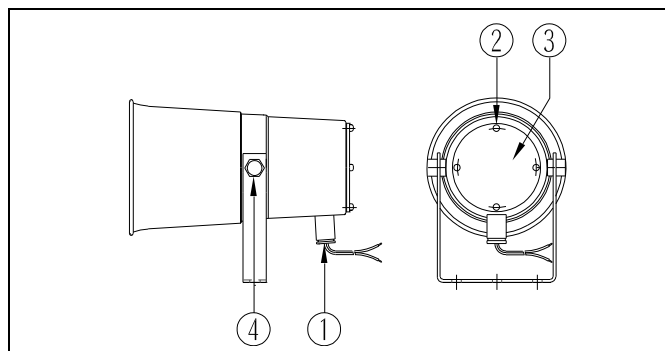
• External View Drawing -SEHN50



3 Sound Tone Combination of Standard Product

	Main Built-in Sounds	CH	Sound	Volume (Max)	
				SEHN25	SEHN50
WS	5Warning Sounds	ch1 ch2 ch3 ch4 ch5	Fire A-ANG Sound Emergency WA-U Sound Ambulance PI-PO Sound Machinery Fault PI- PI Sound High-Expasion Foamrelease PI-Sound	115dB	120dB
WM	5Melodies	ch1 ch2 ch3 ch4 ch5	Sweet Home For Elise Cuckoo Waltz Piano Sonata Turkish March	115dB	120dB
WA	5Alarms	ch1 ch2 ch3 ch4 ch5	Beep. intermittent Door chime Phone Ring sound PI PI PI. short interval Tripping bead sound	113dB	118dB
WV	3Voice Signals	ch1 ch2 ch3	Voice recording 3 channels	108dB	115dB

4 Product Structure



5 Wiring Instruction

- Power line VCTF(0.75sqX2C) 400mm comes out from the product.

OPERATING MANUAL

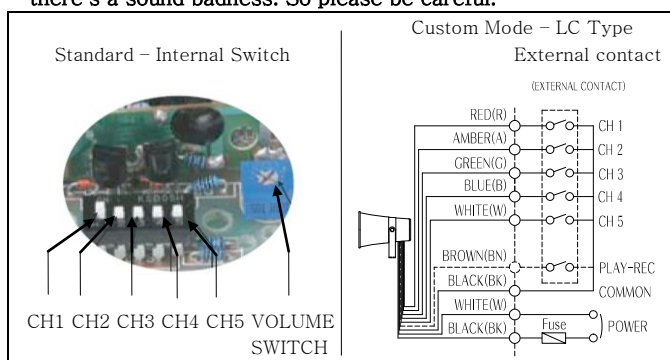
- In case of product using AC voltage, connect the line without Polarity(wire color).
- In case of product using DC voltage, black line is negative(-).
- Power entry① is equipped with cable connector. Keep airtightness between cable and cable connector by tightening cable connector.

■ Custom-made(LC) connection way to select sound by external contact point

- Custom-made(LC) which select sound by external contact point comes out power line and signal line outside. Please see below picture to connect.
- Power line: UL1015-NO.18(0.75sq) X2C 400mm
- Signal line: UL1007-NO.22(0.3sq) 400mm

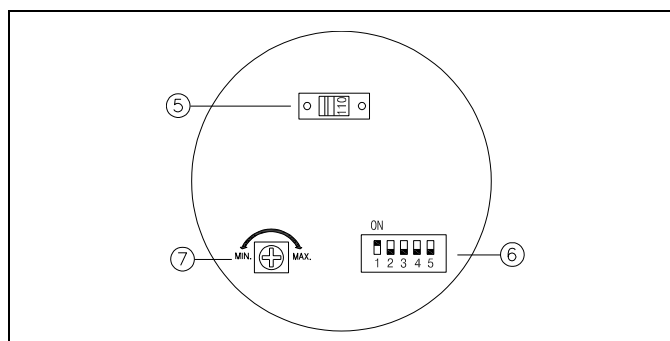
※ Warning!

If you connect power line to Common line and each signal line, there's a sound badness. So please be careful.



6 Selecting voltage, sound tone, control volume

This product has a volume controller, voltage selection switch and sound tone selection switch on assembling board for convenience. Refer to previous structure drawing, following drawing and explanation for right operating. In the first, remove cover③ by loosening cover bolt② on back side.



▪ Selecting Voltage

※ Warning !

Must turn off power supply. Converting switch during power supply can cause short circuit.

- Can choose one of AC110V and AC220V by using voltage

selection switch⑤. 220V is already selected for standard product. Convert the switch to 110V if needed.

▪ Sound Tone Selection (Standard Product)

Standard product has 5 sound tones built-in. Select one of them by using sound tone selection switch⑥.

▪ Volume Control

This product has volume controller⑦ built-in. Turn it to clockwise for increasing volume and turn it to counterclockwise for decreasing volume.

7 Mounting

- This product is manufactured for outdoor use. Mount at the place where exists low moisture and low dust as long as possible.
- Refer to below information and drill necessary mounting holes on profitable part of the product. (Make sure PCD from external view drawing.)
- Fix the product by using extra mounting bolt(M10-2EA).

8 Adjustment of Horn Housing Angle

If the angle of horn housing(angle of signal transmission) needs adjustment, loose the bracket fixing bolt④ on side of body and adjust the angle. (Refer to structure drawing)

9 Caution

- This is designed for explosion proof and water proof/dust proof product. When releasing the product for checking, connecting etc, must keep airtight by making sure bolts.
- If using voltage is seriously higher or lower than rated voltage, it can reduce the self-life of the product or can cause a problem on product operating. Make sure the using voltage does not exceed +/-5% of the rated voltage.
- If lens or body of the product is contaminated by chemicals such as thinner, benzene, the product can be damaged, discolored or deformed. Please be careful.

OPERATING MANUAL

10 Trouble shooting

Situation	Main reason	Solution
Sound Tone Deterioration or Volume Decreasing	Supplying Voltage Lower Than Rated Voltage	Making Sure Using Voltage
	Wrong operating Voltage Selection Switch (AC Voltage Type)	Checking Voltage Selection Switch
Too high sound tone than the standard	Supplying Voltage Higher than Rated Voltage	Making Sure Using Voltage
Output 2 kinds of sounds	Signal sound line short	Making Sure connection
	Problem Sound tone Selection Switch	Contact Q.Light or Their Agent
No sound	Problem with Horn	Contact Q.Light or Their Agent
	Wrong Wiring	Making Sure Wiring
	No Power Supply	Making Sure Power Supply

For

QLIGHT CO., LTD.

<http://www.qlightkr.com>

E-mail : qlightkr@qlightkr.com

Overseas Marketing Team /Plant

Tel) 055-328-4082 Fax) 055-328-4083

178-1 Woogye-Ri, Sangdong-Myun, Kimhae-Si,

KyungNam, Korea