

OPERATING MANUAL

SRN

OPERATING MANUAL

Small Size Signal Phone

Thank you for purchasing Q.Light product.
Please read this manual carefully before installing this system for safe and long use of the product.

1 Product Feature

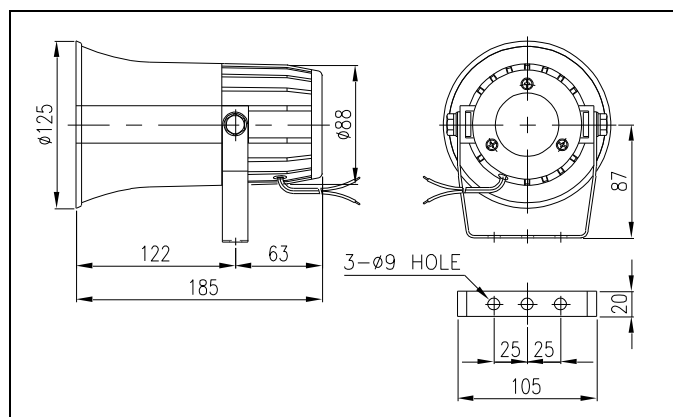
- Economical ABS housing product with compact size, light weight and high volume output.
- Possible to control volume level by using the built-in volume controller.
- Standard Body Color : Red
- Material : Body-ABS Housing
- Volume : 98~108dB/1m
- Protection Class : IP55
- Operating Temperature : -20°C~50°C

2 Specification & External View Drawing

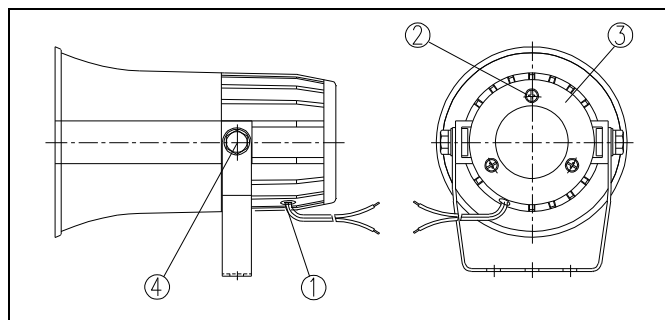
General Specification

Model	Main Built-in Sound	dB	Rated Voltage	Voltage/Current	Weight
SRN	WS	5 Warning Sounds	108dB	DC12V /0.322A	DC -0.72Kg
	WM	5 Melodies	108dB	DC24V /0.233A	
	WA	5 Alarms	105dB	AC110V /0.073A	AC -0.98Kg
	WV	3 Voice Signals	98dB	AC220V /0.036A	

External View Drawing



3 Product Structure



4 Sound Tone Combination of Standard Product

	Main Built-in Sounds	CH	Sound Tone	DB(Max)
WS	5 Warning Sounds	ch1 ch2 ch3 ch4 ch5	Fire A-ANG Sound Emergency WA-U Sound Ambulance PI-PO Sound Machinery Fault PI-PI Sound High-Expasion Foamrelease PI-Sound	108dB
WM	5 Melodies	ch1 ch2 ch3 ch4 ch5	Sweet Home For Elise Cuckoo Waltz Piano Sonata Turkish March	108dB
WA	5 Alarms	ch1 ch2 ch3 ch4 ch5	Beep. intermittent Door chime Phone Ring sound PI PI PI. short interval Tripping bead sound	105dB
WV	3 Voice Signals	ch1 ch2 ch3	Voice recording 3 channels	98dB

5 Wiring Instruction

- Power line VCTF(0.75sqX2C) 400mm comes out from the product.
- In case of product using AC voltage, connect the line without Polarity(wire color).
- In case of product using DC voltage, black line is negative(-).
- Power entry① is equipped with cable connector. Keep airtightness between cable and cable connector by tightening cable connector.

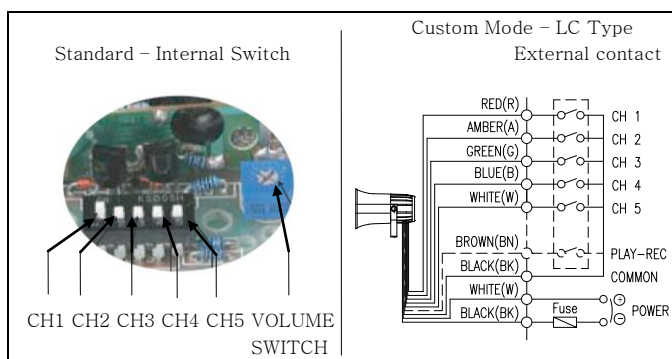
Custom-made(LC) connection way to select sound by external contact point

- Custom-made(LC) which select sound by external contact point comes out power line and signal line outside. Please see below picture to connect.
- Power line: UL1015-NO.18(0.75sq) X2C 400mm
- Signal line: UL1007-NO.22(0.3sq) 400mm

OPERATING MANUAL

※ Warning!

If you connect power line to Common line and each signal line, there's a sound badness. So please be careful.



7 Mounting

- This product is manufactured for outdoor use. Mount at the place where exists low moisture and low dust as long as possible.
- Refer to below information and drill necessary mounting holes on profitable part of the product. (Make sure PCD from external view drawing.)
- Fix the product by using extra mounting bolt(M8-2EA).

8 Adjustment of Horn Housing Angle

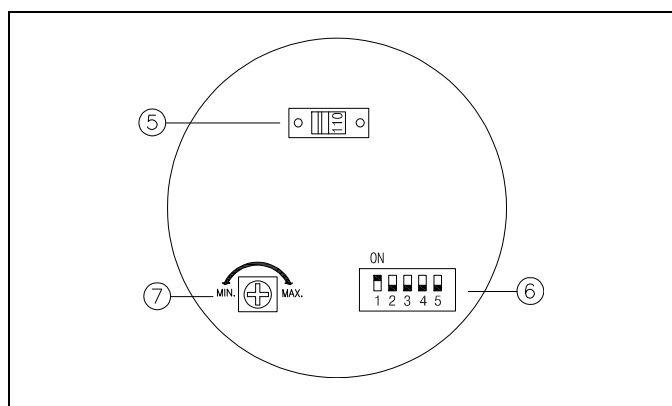
If the angle of horn housing(angle of signal transmission) needs adjustment, loose the bracket fixing bolt④ on side of body and adjust the angle. (Refer to structure drawing)

9 Caution

- This is designed for explosion proof and water proof/dust proof product. **When releasing the product for checking, connecting etc, must keep airtight by making sure bolts.**
- If using voltage is seriously higher or lower than rated voltage, it can reduce the self-life of the product or can cause a problem on product operating. Make sure the using voltage does not exceed +/-5% of the rated voltage.
- If lens or body of the product is contaminated by chemicals such as thinner, benzene, the product can be damaged, discolored or deformed. Please be careful.

6 Selecting voltage, sound tone, control volume

This product has a volume controller, voltage selection switch and sound tone selection switch on assembling board for convenience. Refer to previous structure drawing, following drawing and explanation for right operating. In the first, remove cover③ by loosening cover bolt② on back side.



▪ Selecting Voltage

※ Warning !

Must turn off power supply. Converting switch during power supply can cause short circuit.

- Can choose one of AC110V and AC220V by using voltage selection switch⑤. **220V is already selected for standard product. Convert the switch to 110V if needed.**

▪ Sound Tone Selection (Standard Product)

Standard product has 5 sound tones built-in. Select one of them by using sound tone selection switch⑥.

▪ Volume Control

This product has volume controller⑦ built-in. Turn it to clockwise for increasing volume and turn it to counterclockwise for

OPERATING MANUAL

10 Trouble shooting

Situation	Main reason	Solution
Sound Tone Deterioration or Volume Decreasing	Supplying Voltage Lower Than Rated Voltage	Making Sure Using Voltage
	Wrong operating Voltage Selection Switch (AC Voltage Type)	Checking Voltage Selection Switch
Too high sound tone than the standard	Supplying Voltage Higher than Rated Voltage	Making Sure Using Voltage
Output 2 kinds of sounds	Signal sound line short	Making Sure connection
	Problem Sound tone Selection Switch	Contact Q.Light or Their Agent
No sound	Wrong Wiring	Making Sure Wiring
	No Power Supply	Making Sure Power Supply

For

Q-LIGHT CO., LTD.

<http://www.qlightkr.com>

E-mail : qlightkr@qlightkr.com

Overseas Marketing Team /Plant

Tel) 055-328-4082 Fax) 055-328-4083

178-1 Woogye-Ri, Sangdong-Myun, Kimhae-Si,

KyungNam, Korea