



ZL-7

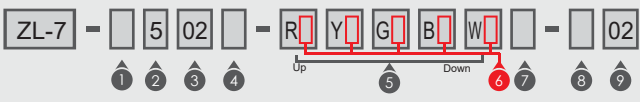
SERIES Ø70mm

Tower lamp

Medium appearance design, suitable for medium precision equipment
 The color is bright and has good warning effect
 The color of the signal cable corresponds to that of the lamp, which facilitates wiring
 Free to increase or decrease the number of LED colors
 Rewiring is not required to change the LED sequence



Select Code



- 1 Lampshade : U = Smooth
S = Grille
- 2 Layer number: 1 = 1 Layer
2 = 2 Layer
3 = 3 Layer
4 = 4 Layer
5 = 5 Layer
- 3 Voltage: 01 = 12V/DC
02 = 24V/DC
- 4 Function: None = Steady on No sound
A = Buzzer continuous standard tone
B = Buzzer hiatus standard tone
C = Buzzer continuous high tone
D = Buzzer hiatus high tone
P = Trumpet music
- 5 Color: Red = R
Yellow = Y
Green = G
Blue = B
White = W
- 6 Light way: None = Steady
1 = Flashing
2 = Rotating
- 7 Lamp Shade Color: No letters = Color
C = Transparent color
- 8 Stent models: None = Direct mount
A = 25A E = 25E
B = 22B J = 25J
C = 25C K = 25K
D = 25D Z = 25Z
- 9 Aluminum tube length: 10 = 10cm
20 = 20cm
30 = 30cm
40 = 40cm

Technical Parameters

Standard	IEC/EN 61000-6		
Signal	CE		
The environment temperature	Storage	-40°C~+70°C	
	Operating	-25°C~+55°C	
Operating humidity	45 to 85%RH		
Degree of Protection	IP65 Watertight/Otight		
Material	Lampshade	PC	
	Light body	ABS	
Light source	LED		
Rated insulation voltage	IEC60947-1	>800V	
Voltage range	IEC60947-5-1	V0.85~1.10Un	
Rated Voltage		12V/DC	
		24V/DC	
LED Current	Red	90mA	45mA
	Yellow	90mA	45mA
	Green	90mA	45mA
	Blue	90mA	45mA
	White	90mA	45mA
Surge current	All Colors	100mA	100mA
Frequency	Flashing	About 1Hz	
	Rotating light	About 100 r/min	
Buzzer	Current	18mA	
	Volume	85dB	
Electrical life	About 50,000 hours		
Connection mode	Terminal		

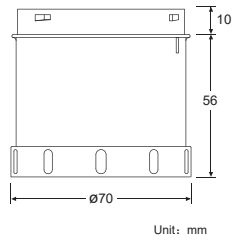
Component Code

LED module

- Smooth lampshade



Size Chart



LED module code

EL7 - U 02 R

① Lampshade U = Smooth S = Grille	③ Color Red = R Yellow = Y Green = G Blue = B White = W	④ Light way None = Steady 1 = Flashing 2 = Rotating
---	--	--

- Grille lampshade



Parameter specification					
Color	Red	Yellow	Green	Blue	White
Current	12V DC	90mA	90mA	90mA	90mA
	24V DC	45mA	45mA	45mA	45mA
Light intensity	213/Lux	134/Lux	342/Lux	129/Lux	459/Lux
Flicker frequency	60~90 beats / min				
Rotating frequency	About 100 r/min				
Material	PC				
Quality	12/24VDC:44g				

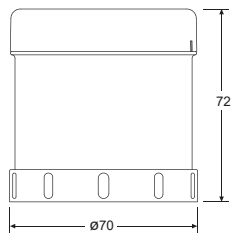
Buzzer module

- Buzzer standard tone



Size Chart

Unit: mm

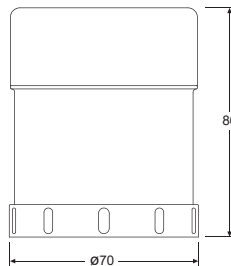


Buzzer module code

BL7 - U 02

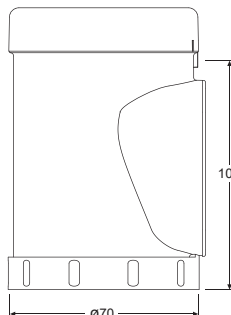
① Appearance U = Smooth S = Grille	③ Sound None = Steady on No sound A = Buzzer continuous standard tone B = Buzzer hiatus standard tone C = Buzzer continuous high tone D = Buzzer hiatus high tone P = Trumpet music
--	---

- Buzzer high tone



Parameter specification				
Buzzer module	Buzzer standard tone	Buzzer high tone	Trumpet music	
Current	12V DC	18mA	25mA	45mA
	24V DC	18mA	25mA	45mA
Volume	85dB	100dB	120dB	
Color	Blace	Blace	Blace	
Quality	12/24VDC:60g	12/24VDC:80g	12/24VDC:120g	

- Trumpet music



Aluminum tube

Model specification

LG — D25 L10

① Diameter
D25 = 25mm

② Length
L10 = 10cm
L20 = 20cm
L30 = 30cm
L40 = 40cm

Material : Anodized aluminum

Lamp caps

Lamp caps model
BL7-UDG1



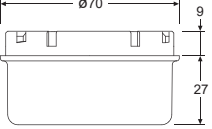

Material : PC-ABS

Wiring body

Wiring body model
BL7-UDT1



Size Chart
Unit: mm



Material : PA66


Speaker sound selection method

01 Buzzer rang	ON <input type="checkbox"/> <input type="checkbox"/> <input type="checkbox"/> <input type="checkbox"/> <input type="checkbox"/>	06 Slow Sound 1	ON <input type="checkbox"/> <input type="checkbox"/> <input type="checkbox"/> <input type="checkbox"/> <input type="checkbox"/>	11 Slow Sound 2	ON <input type="checkbox"/> <input type="checkbox"/> <input type="checkbox"/> <input type="checkbox"/> <input type="checkbox"/>	16 long and short 2	ON <input type="checkbox"/> <input type="checkbox"/> <input type="checkbox"/> <input type="checkbox"/> <input type="checkbox"/>	21 No sound	ON <input type="checkbox"/> <input type="checkbox"/> <input type="checkbox"/> <input type="checkbox"/> <input type="checkbox"/>
02 Buzzer hiatus 1	ON <input type="checkbox"/> <input type="checkbox"/> <input type="checkbox"/> <input type="checkbox"/> <input type="checkbox"/>	07 Quick note 2	ON <input type="checkbox"/> <input type="checkbox"/> <input type="checkbox"/> <input type="checkbox"/> <input type="checkbox"/>	12 Slow dual tone 2	ON <input type="checkbox"/> <input type="checkbox"/> <input type="checkbox"/> <input type="checkbox"/> <input type="checkbox"/>	17 waltz	ON <input type="checkbox"/> <input type="checkbox"/> <input type="checkbox"/> <input type="checkbox"/> <input type="checkbox"/>		
03 Buzzer hiatus 2	ON <input type="checkbox"/> <input type="checkbox"/> <input type="checkbox"/> <input type="checkbox"/> <input type="checkbox"/>	08 long and short 1	ON <input type="checkbox"/> <input type="checkbox"/> <input type="checkbox"/> <input type="checkbox"/> <input type="checkbox"/>	13 Slow dual tone 3	ON <input type="checkbox"/> <input type="checkbox"/> <input type="checkbox"/> <input type="checkbox"/> <input type="checkbox"/>	18 To Alice	ON <input type="checkbox"/> <input type="checkbox"/> <input type="checkbox"/> <input type="checkbox"/> <input type="checkbox"/>		
04 Dual tone 1	ON <input type="checkbox"/> <input type="checkbox"/> <input type="checkbox"/> <input type="checkbox"/> <input type="checkbox"/>	09 Slow dual tone 1	ON <input type="checkbox"/> <input type="checkbox"/> <input type="checkbox"/> <input type="checkbox"/> <input type="checkbox"/>	14 Slow Sound 3	ON <input type="checkbox"/> <input type="checkbox"/> <input type="checkbox"/> <input type="checkbox"/> <input type="checkbox"/>	19 Sweet home	ON <input type="checkbox"/> <input type="checkbox"/> <input type="checkbox"/> <input type="checkbox"/> <input type="checkbox"/>		
05 Quick note 1	ON <input type="checkbox"/> <input type="checkbox"/> <input type="checkbox"/> <input type="checkbox"/> <input type="checkbox"/>	10 Dual tone 2	ON <input type="checkbox"/> <input type="checkbox"/> <input type="checkbox"/> <input type="checkbox"/> <input type="checkbox"/>	15 Slow Sound 4	ON <input type="checkbox"/> <input type="checkbox"/> <input type="checkbox"/> <input type="checkbox"/> <input type="checkbox"/>	20 Butterfly lovers	ON <input type="checkbox"/> <input type="checkbox"/> <input type="checkbox"/> <input type="checkbox"/> <input type="checkbox"/>		

Support model size diagram

Unit: mm

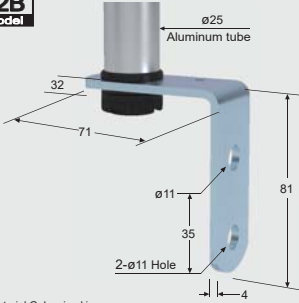
22A Model



Material : ABS

⚠️ 25AMust be used with aluminum tube

22B Model



Material: Galvanized iron

25C Model



Material: PA66

25D Model



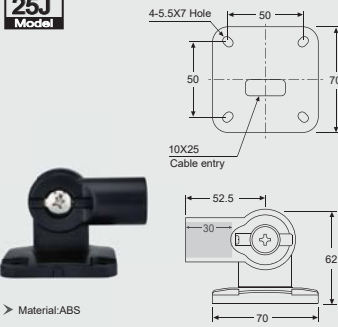
Material: PA66

25J Model



Material: PA66

25K Model



Material: ABS

25L Model



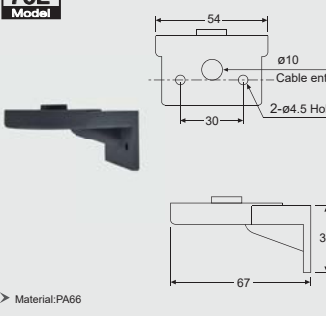
Material: PA66 Must be used with aluminum tube!

25Z Model



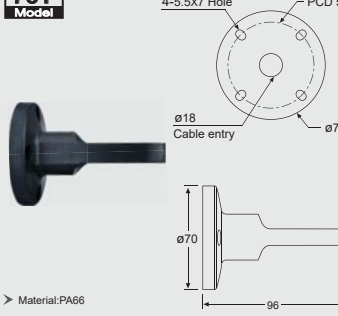
Material: ABS

70L Model



Material: PA66

70T Model



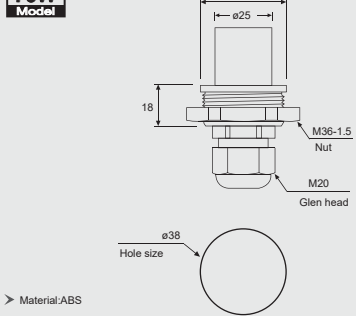
Material: PA66

70P Model



Material: PA66

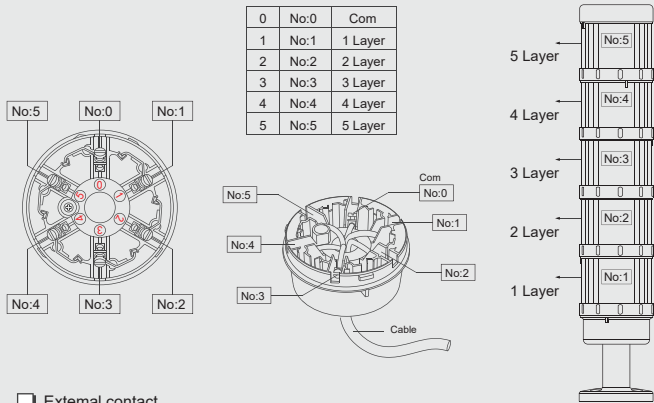
70W Model



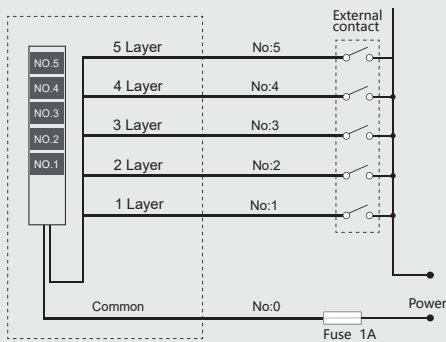
Material: ABS

Wiring Diagram

The terminal and module corresponding to the number on the wiring block

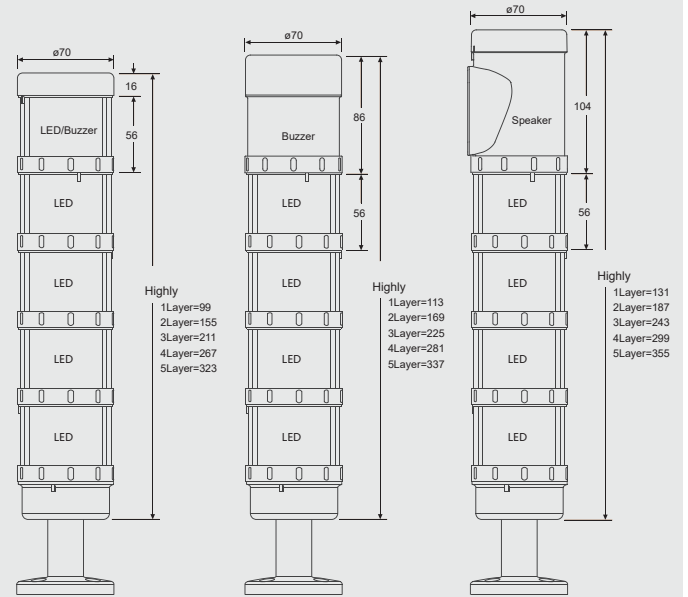


External contact

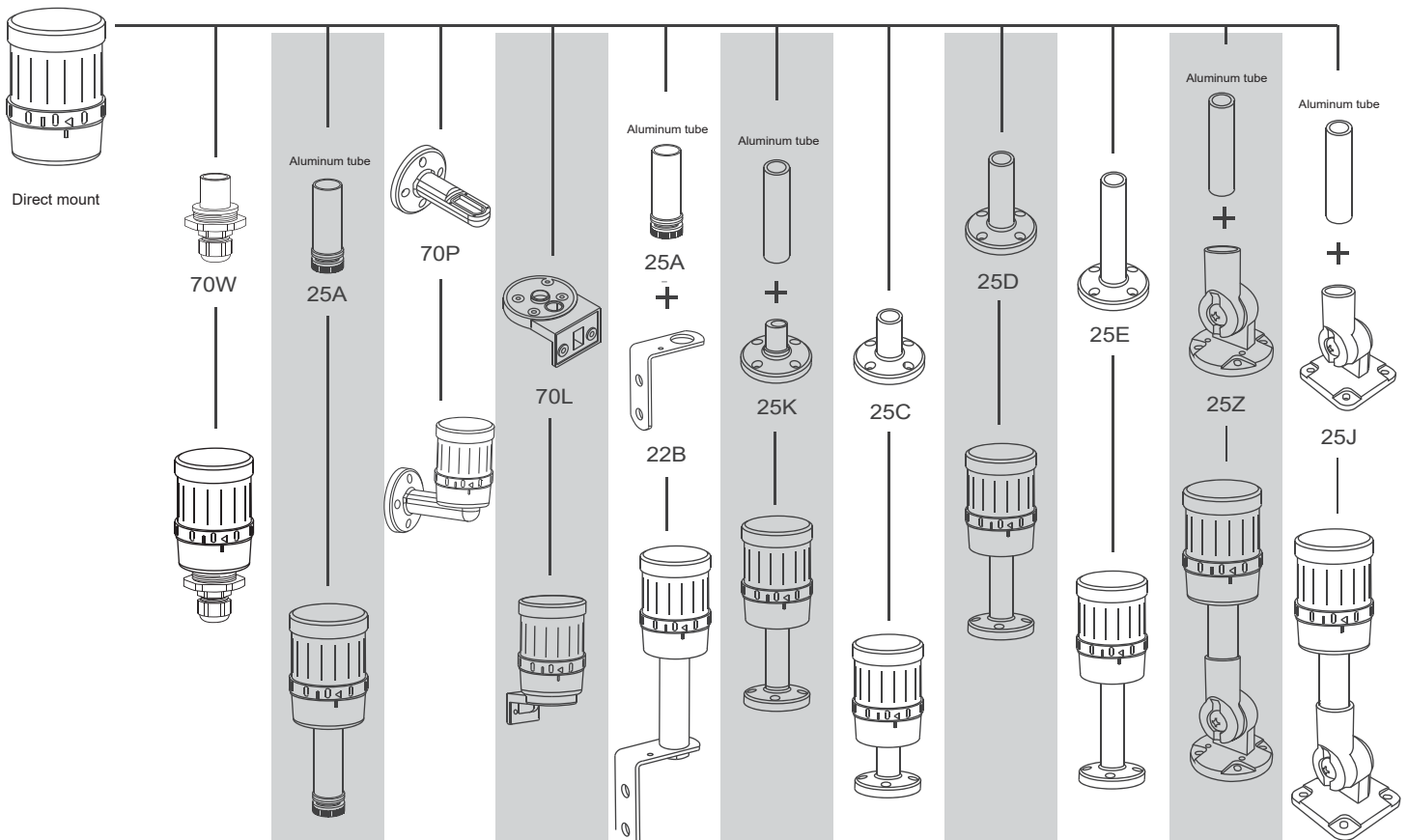


Size Chart Unit: mm

LED+Buzzer standard tone LED+Buzzer high tone LED+Trumpet music



Assembly diagram of product and mounting bracket



ООО "РусАвтоматизация"

454010 г. Челябинск, ул. Гагарина 5, оф. 507

тел. 8-800-775-09-57 (звонок бесплатный), +7(351)799-54-26, тел./факс +7(351)211-64-57

info@rusautomation.ru; rusavtomatizatsiya.pf; www.rusautomation.ru