



SOBA HR HY MECA HR HY

FLOAT LEVEL REGULATOR For automatic regulation with several devices



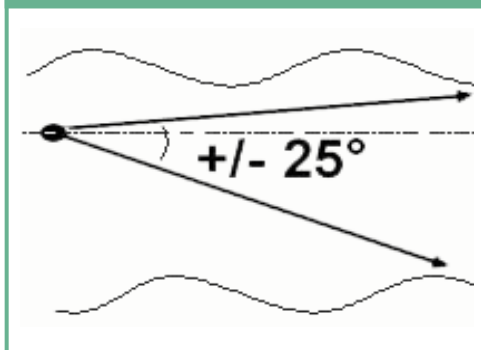
USE

VR – Emptying / Filling

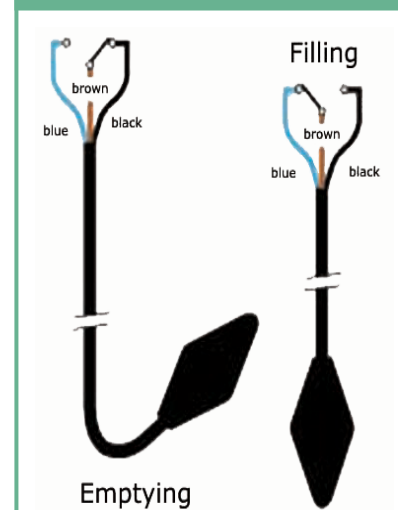
SIZE

Height: 200 mm – Diameter: 92 mm

DIFFERENTIAL ANGLE



WIRING



Please, refer to the connection diagram enclosed to each float delivered.

APPLIANCES

Same applications as the standard SOBA model. But, thanks to its double shape in HR HY (hypalon), it is especially recommended for corrosive liquid mixtures containing bases, oils and acid products... (please, refer to the SOBA technical sheet)

TECHNICAL CHARACTERISTICS

Operation mode	Omnidirectional
Allowed fluid density	0,80 a 1,10
Maximum pressure	4 bars
Maximum temperature	90°C
Protection index	IP 68 <input type="checkbox"/>
Electric characteristics	12, 24, 48 VAC/VDC and 250 VAC- 50/60 Hz
Cut-out power	16 (6) A (16 A resistive - 6 A inductive)
Microswitch	Silver / nickel reverser contacts
Biconical shell (2)	Copolymer polypropylene + HR HY (hypalon)
Cable	HR HY (hypalon) H07RN8-F
Cable type	3 conductors 1 mm ²
Float weight without cable	295 g
Cable weight	HR HY 110 g/m
Adjustable ballast on cable (series)	Loaded resin 250 g
Standard cable length (series)	5, 6, 10, 13, 15, 20 and 25 m (other lengths on request)