

OPERATING MANUAL

SH1 / SH1T / SH2 / SH2T

OPERATING MANUAL

Heavy Duty Bulb Revolving Warning light

Thank you for purchasing Q.Light product.
Please read this manual carefully before installing this system for safe and long use of the product.

1 Product Feature

- Aluminum housing product with high durability.
- Ensuring high revolving durability by applying a small bearing to the revolving axis.
- RPM : 120-140/Min.(Controllable)
- Material : Lens-PC, Body-Diecast AL, Reflector-Heat Resisting ABS, Protection Cage(Optional)-SUS316L
- Protection Class : IP56
- Standard Body Color : MUNSELL NO. : 7.5BG 7/2

2 Specification & External View Drawing

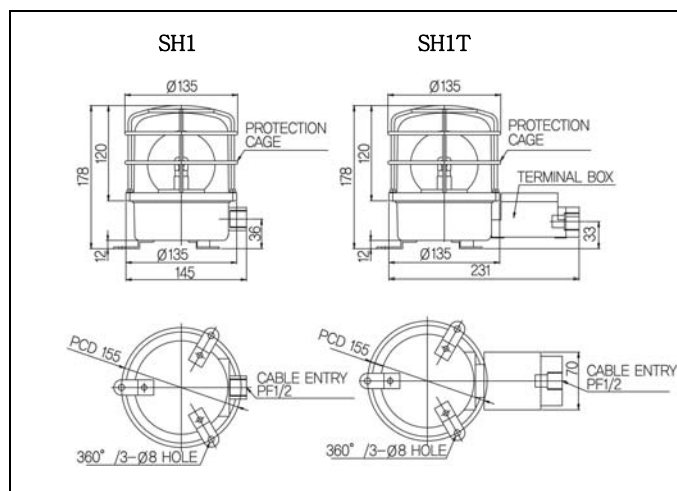
1) SH1 / SH1T

Product Specification

Model	Rated Voltage	Current	Bulb		Weight	Color
SH1	DC12V	1.170A	12V15W	G23 15S	1.22Kg	Red-R Amber-A
	DC24V	0.510A	24V15W	G23 15S		
SH1T (with Terminal)	AC110V	0.145A	12V15W	G23 15S	1.61Kg	Green-G Blue-B
	AC220V	0.073A	12V15W	G23 15S		

*Each weight above mentioned is the net weight of SH1 excluding protection cage(0.25kg) and terminal box(0.46kg).

External View Drawing



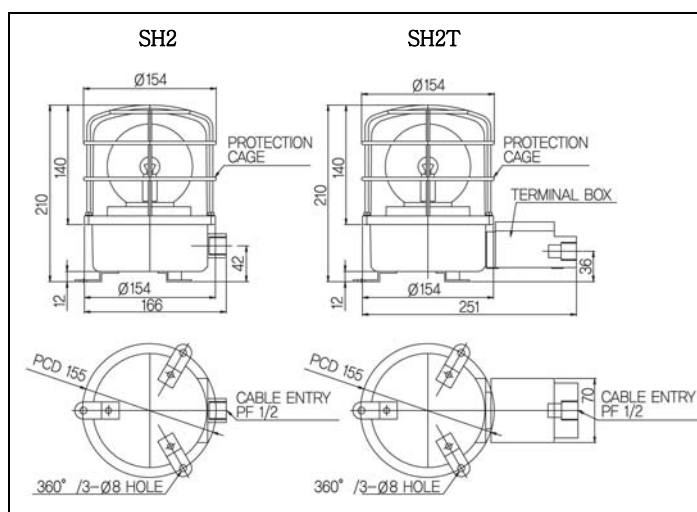
2) SH2/SH2T

Product Specification

Model	Rated Voltage	Current	Bulb		Weight	Color
SH2	DC12V	1.170A	12V15W	G23 15S	1.38Kg	Red-R Amber-A
	DC24V	0.510A	24V15W	G23 15S		
SH2T (with Terminal)	AC110V	0.145A	12V15W	G23 15S	1.77Kg	Green-G Blue-B
	AC220V	0.073A	12V15W	G23 15S		

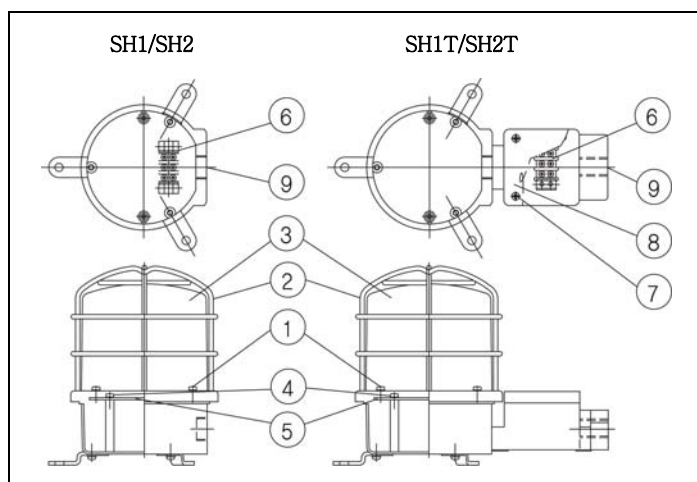
* Each weight above mentioned is the net weight of SH1 excluding protection cage(0.29kg) and terminal box(0.46kg).

External View Drawing



3 Wiring Instruction

This product has a terminal plate inside body(SH1/SH2) or terminal box(SH1T/SH2T) for wiring.



1) SH1/ SH2

- Separate globe ring② and globe③ from the body by loosening protection cage fastening bolt(M4-4EA)①.
- Separate assembling board⑤ by loosening assembling board fastening bolt(M4 Screw : SH1-2EA, SH2-3EA)④ and make sure terminal plate⑥.

2) SH1T / SH2T

Separate terminal box cover^⑧ by loosening terminal box cover fastening bolt(M5-4EA)^⑦ and make sure terminal plate^⑥.

3) Wiring Power Line

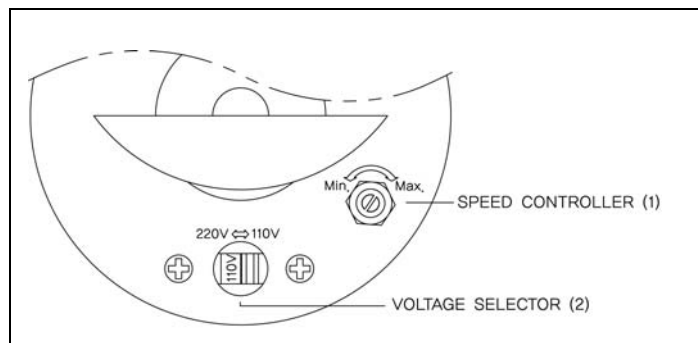
- In case of product using AC voltage, connect the line without polarity(wire color).
- In case of product using DC voltage, black line is negative(-).

4) Treating Cable Terminal

- Treat the end of power cable by using “O” or “U” type terminal for safe wiring.

5) Treating Power Entry

Keep the tightness of power entry^⑨ by using water-proof connector(SH1/SH2-flexible connector #16, SH1T/SH2T-15C nipple is supplied as a standard specification) or cable grand.



1) Lens Set Removal

- Refer to wiring diagram of previous page and separate globe ring(protection cage)^② and globe^③ from the body by loosening fixing bolt^①(M4 bolt 4ea) and make sure voltage selection switch^② and speed control volume^① on assembling board on above drawing.

2) Revolving Speed Control

- The volume^① for revolving speed control is built-in this product. Turn it clockwise for increasing revolving speed and turn it counterclockwise for decreasing revolving speed.
- If give excess power to the volume,it can be broken. Be careful !

3) AC Voltage Selection (AC Voltage Type Product)

- One of AC 110V and 220V can be used by using voltage selection switch^②. The product is originally produced with 220V as standard specification. So,convert to 110V by using voltage selection switch if power line voltage is 110V.

4) Bulb Change

※ Warning ! Turn off Power

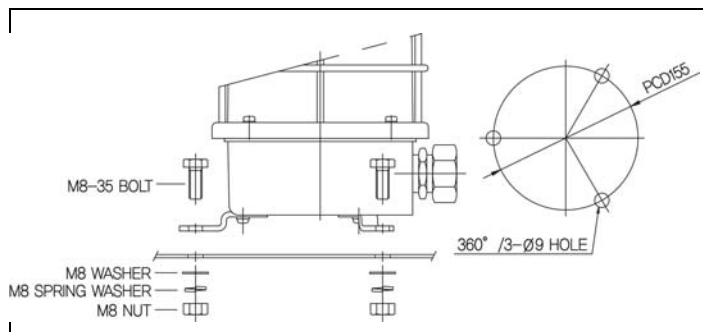
Must turn off power supply and change the bulb after at least 1 minute.

- Make sure the rated voltage and wattage of new bulb. If the voltage of new bulb is higher than that of original bulb, the self-life of product can be reduced and can cause damage on lens and reflector. Therefore, please use same bulb as original one which has same rated voltage and wattage or lower one.
- Bulb Removal : Press slightly the bulb downward and turn it counterclockwise for removing.
- Bulb Fitting : Fit new bulb into the socket by pressing it clockwise.

4 Mounting

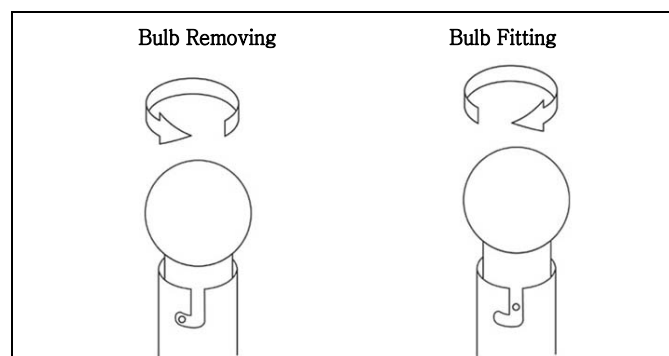
This product is water-proof and anti-corrosion type. But, install with vertical direction at a place or machine where exists no big vibration and no strong impact as long as possible.

- Refer to below drawing and drill necessary mounting holes on profitable part of the product.
(Make sure PCD from external view drawing.)
- Fix the product by using mounting bolt(M8-3EA).



5 Voltage Selection(AC Type), Revolving Speed Control, Bulb Change

This product has a volume^① for controlling revolving speed and voltage selection switch^② on assembling board. Refer to following drawing and explanation for right operating.



5) Lens Set Assembling

Assemble the glass lens set in reverse order of separating.

6 Caution

- This product is water-proof and anti-corrosion type for outdoor use. When separate and assemble the product for wiring, repair or check, keep the airtightness of the product by tightening each bolt and nut.
- Keep airtightness of cable entry by using water-proof connector or cable gland. Product can be damaged by water or dust if the cable entry is exposed outdoor without airtightening.
- If using voltage is seriously higher or lower than rated voltage, it can reduce the self-life of the product or can cause a problem on product operating. Make sure the using voltage does not exceed +/- 5% of the rated voltage.
- If lens or body of the product is contaminated by chemicals such as thinner, benzene, the product can be damaged, discolored or deformed. Please be careful.

7 Troubleshooting

Situation	Main Cause	Solution
Non Lighting	Wire Disconnection with Bulb	Wire Re-connection or Bulb Change
Feeble Lighting Low Revolving Speed	Supplying Voltage Lower Than Rated Voltage	Making Sure Using Voltage
	Wrong Selecting Voltage Selection Switch to 220V for Using AC 110V Power	Selecting Voltage Selection Switch to 110V
	Wrong Operating Revolving Speed Control Volume	Turn the Volume Clockwise
Short Self-Life of Bulb	Supplying Voltage Higher than Rated Voltage	Making Sure Using Voltage
Lens Deformation Caused by Bulb Overheating	The Voltage of Bulb is Higher than Rated Voltage	Changing Bulb with Rated Voltage
Damage on Transformer (AC Type)		
Non Revolving	Problem with Motor	Contact Q.Light or Their Agent
Neither Lighting Nor Revolving	Wrong Wiring	Making Sure Wiring
	No Power Supply	Making Sure Power Supply

— For A/S & Information on Product

Q-LIGHT CO., LTD.

<http://www.qlightkr.com>

E-mail : qlightkr@qlightkr.com

Seoul Office (Domestic Sales & A/S)

Tel) 02-2679-6152

Ansung BD A-312, 410-13 Sindorim-Dong, Guro-Gu, Seoul

Overseas Marketing Team / Plant

Tel) 055-328-4082 Fax) 055-328-4083

Plant #1 : 178-1 Woogye-Ri, Sangdong-Myun, Kimhae-Si, KyungNam, Korea

Plant #2 : 417-1 Geumsa-Dong, Geumjung-Gu, Busan