

OPERATING MANUAL

SHDS / SHD2S

OPERATING MANUAL

Heavy duty Strobe Light with Phone

Thank you for purchasing Q.Light product.
Please read this manual carefully before installing this system for safe and long use of the product.

1 Product Feature

- Aluminum housing product employing xenon lamp with long shelf-life.
- A product radiating strong strobe signal by xenon lamp and it is suitable for a bright place and for the transmission of signal from a distance.
- Having a built-in switch for controlling the frequency of continuous flashing. (Controllable from 2 times to 4 times)
- Lamp of connector type whose replacement is easy and simple.
- Material : Lens-PC, Body-Diecast AL, Horn Housing-SUS316L, Protection Cage(Optional)-SUS316L
- Volume : SHDS 113-118dB(1m), SHD2S 113-118dB x 2(1m)
- Flashes : 65-95/Min. Protection Class : IP56

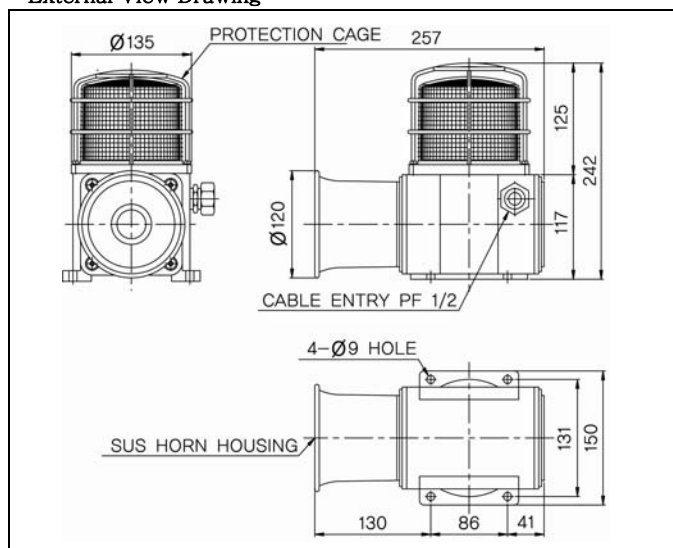
2 Specification & External View Drawing

1) SHDS

Product Specification

Model	Rated Voltage	Current	Weight	Flashes	Color
SHDS	DC12V	1.710A	3.05Kg	65-95/Min.	Green-R
	DC24V	1.260A	3.05Kg		Amber-A
	AC110V	0.281A	3.38Kg		Green-G
	AC220V	0.167A	3.38Kg		Blue-B

External View Drawing

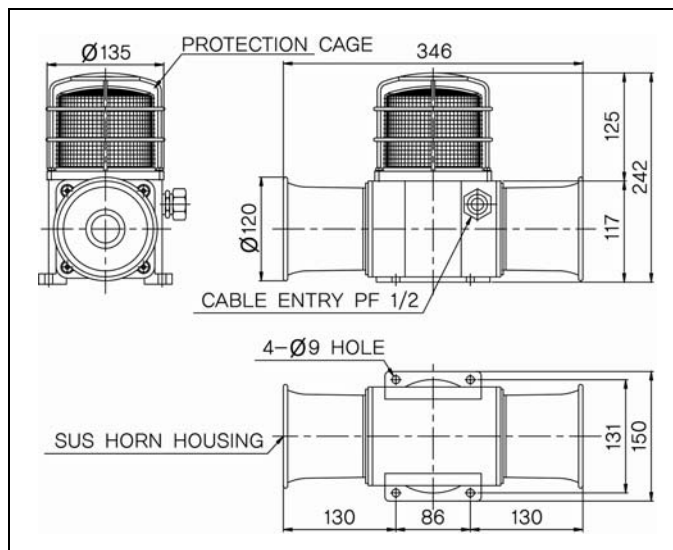


2) SHD2S

Product Specification

Model	Rated Voltage	Current	Weight	Flashes	Color
SHD2S	DC12V	2.780A	4.11Kg	65-95/Min.	Green-R
	DC24V	2.190A	4.11Kg		Amber-A
	AC110V	0.457A	4.44Kg		Green-G
	AC220V	0.250A	4.44Kg		Blue-B

External View Drawing

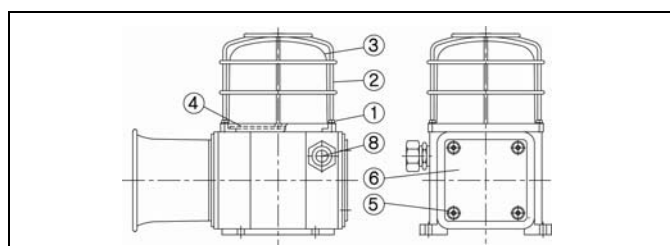


OPERATING MANUAL

3 Sound Tone Specification

Type	Main Built-in Sound	CH	Sound Tone	Volume
WS	5 Warning Sounds	ch1	Fire A-ANG(Wail)	118dB (SHDS) 118dB x 2 (SHD2S)
		ch2	Emergency WA-U(Yelp)	
		ch3	Ambulance PI-PO(High-Low)	
		ch4	Machinery Fault(PI-PI-PI-)	
		ch5	Foam Release Alarm (PI~Continuous)	
WP	5 Special Warning Sounds	ch1	Fire A-ANG(Wail)	118dB (SHDS) 118dB x 2 (SHD2S)
		ch2	Abandon Alarm	
		ch3	Machinery Fault(PI-PI-PI-)	
		ch4	Foam Release Alarm (PI~Continuous)	
		ch5	General Alarm (Long PI~+ 7 Short PI.)	
WM	5 Melodies	ch1	Sweet Home	118dB (SHDS) 118dB x 2 (SHD2S)
		ch2	For Elise	
		ch3	Cuckoo's Waltz	
		ch4	Piano Sonata	
		ch5	Turkish March	
WA	5 Alarms	ch1	Beep(Intermittent)	116dB (SHDS) 116dB x 2 (SHD2S)
		ch2	Door Chime	
		ch3	Phone Ring	
		ch4	Machinery Fault(PI PI PI PI.)	
		ch5	Tripping Bead Sound	
WV	3 Voice Signals	ch1	Reproduction of Voice Recording 3 Channels	113dB(SHDS) 113dB x 2 (SHD2S)
		ch2		
		ch3		

4 Structure Drawing



5 Lamp Change & Selecting Flashing Type

Refer to above structure drawing, following drawing and explanation for right operating.

1) Warning ! Turn off Power

Must turn off power supply and change the bulb after at least 1 minute.

- Xenon lamp is operating with high voltage. Do not touch lamp or assembling board without turning off power. It can cause an electrical shock.

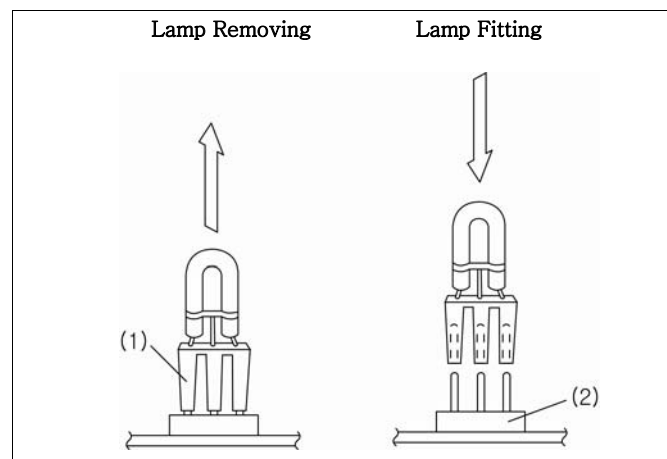
2) Glass Lens Set Removal

- Refer to wiring diagram of previous page and separate globe ring(protection cage)② and globe③ from the body by loosening

fixing bolt①(M4 bolt 4ea).

3) Lamp Change

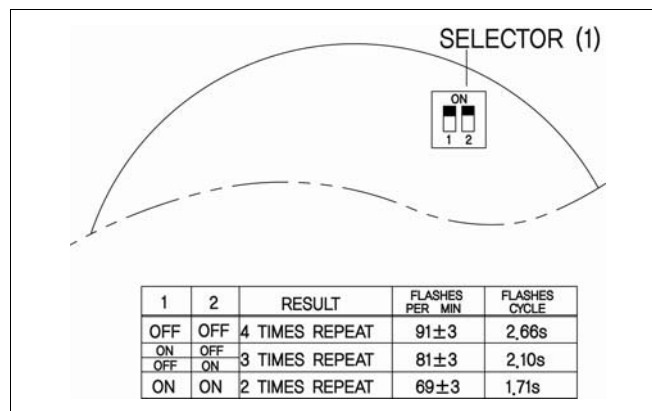
- Xenon lamp is a connector type. Pull up the lamp(1) for removal.
- Insert the connector pin(2) correctly into the groove for assembling by referring following drawing.



4) Selecting Flashing Type

Having a built-in switch for controlling the frequency of flashes from 2 times to 4 times.

Refer to below drawing for selecting the type of flashes needed.



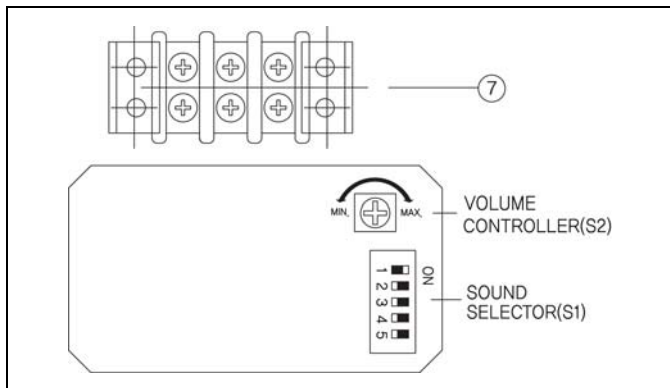
5) Lens Assembling

Assemble the product in reverse order of separating

6 Sound Tone Selection, Volume Control, Wiring

There are sound tone selection switch and volume controller on assembling board. Refer to structure on previous page, drawing together with below drawing and explanation for right operating.

OPERATING MANUAL



1) Body Cover Removal

- Remove body cover⑥ by loosening body cover bolt(M5 4EA)⑤ and make sure related parts on phone control board.

2) Sound Tone Selection

- 5 Warning sound tones are built-in this product. In case of standard product, select preferable sound tone by using internal sound tone selection switch(S1).
- In case of LC Type(Custom-Made) product, refer to below explanation and drawing.

3) Volume(dB) Control

- Volume controller(S2) is built-in this product. Turn it clockwise for increasing volume or turn it counterclockwise for decreasing volume

4) Wiring Power Line

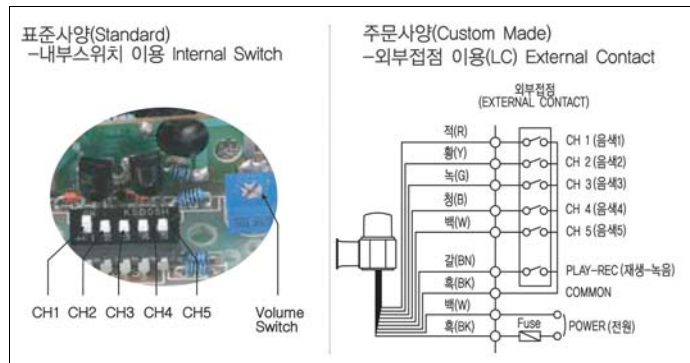
- Make sure terminal plate⑦ inside the body of the product.
- Treat the end of power cable by using “O” or “U” type terminal for safe wiring.
- Connect power cable to terminal plate.
- In case of product using AC voltage, connect the line without polarity(wire color).
- In case of product using DC voltage, black line is negative(-).

5) Treating Power Entry

- Keep the tightness of power entry⑧ by using water-proof connector(flexible connector #16 is supplied as a standard specification) or cable grand.
- Product can be damaged by water or dust if the cable entry is exposed outdoor without airtightening.

■ Wiring for LC(External Contact) Type – Custome Made

- In case of LC type which selets sound tone by external contact, power line and signal line come out. Connect each line as below.
- Power Line : UL1015-NO.16(1.25sq) x 2C 400mm
- Signal Line : UL1007-NO.22(0.3sq) 400mm
- In case of product using AC voltage, do not allow power supply either to common line or to signal line..



5) Treating Power Entry

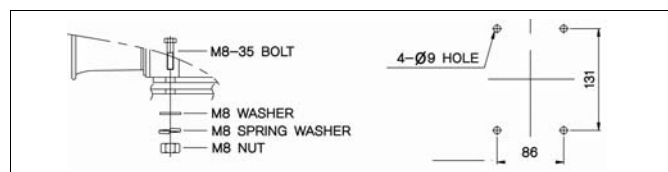
- Keep the tightness of power entry⑧ by using water-proof connector(flexible connector #16 is supplied as a standard specification) or cable grand.
- Product can be damaged by water or dust if the cable entry is exposed outdoor without airtightening.

6) Body Cover Assembling

Assemble the body cover in reverse order of separating.

7 Mounting

- This product is water-proof and anti-corrosion type for outdoor use. But, install with vertical direction at a place or machine where exists no big vibration and no strong impact as long as possible.
- Refer to below information and drill necessary mounting holes on profitable part of the product. (Make sure PCD from external view drawing.)
- Fix the product by using mounting bolt(M8-4EA).



8 Caution

- This product is explosion-proof, water-proof and anti-corrosion type. When separate and assemble the product for wiring, repair or check, keep the airtightnees of the product by tightening each bolt and nut.
- If using voltage is seriously higher or lower than rated voltage, it can reduce the self-life of the product or can cause a problem on product operating. Make sure the using voltage does not exceed +/- 5% of the rated voltage.
- If lens or body of the product is contaminated by chemicals such as thinner, benzene, the product can be damaged, discolored or deformed. Please be careful.
- Keep airtightness of cable entry by using water-proof cable grand or water-proof connector. Product can be damaged by water or dust if the cable entry is exposed outdoor without

OPERATING MANUAL

airtightening

- Do not give strong impact to the product. It can be a reason of part(s) damage or short circuit.
- Do not strongly pull the wire out from the product. It can cause a disorder.

9 Troubleshooting

Situation	Main Cause	Solution
Non- Lighting	Damage on Lamp	Change Lamp
	Untied Lamp Connector	Re-join Lamp Connector
	No Power Supply	Make Sure Power Supply
Irregular Strobe Operating	Supplying Voltage Lower than Rated Voltage	Make Sure Using Voltage
	Wrong Selecting Switch for Controlling Frequency of Flashes	Make Sure Switch Selection
Double Sound Tone	Short Circuit of Sound Tone Signal Line	Making Sure Wiring
	Error on Sound Tone Selection Switch	Contact Q.Light or Their Agent
No Sound	Wrong Wiring	Making Sure Wiring
	Problem with Horn	Contact Q.Light or Their Agent
No Lighting/Flashing No Sound	No power Supply	Making Sure Power Supply
	Wrong Wiring	Making Sure Wiring

— For A/S & Information on Product

Q-LIGHT CO., LTD.

<http://www.qlightkr.com>

E-mail : qlightkr@qlightkr.com

Seoul Office (Domestic Sales & A/S)

Tel) 02-2679-6152

Ansung BD A-312, 410-13 Sindorim-Dong, Guro-Gu, Seoul

Overseas Marketing Team / Plant

Tel) 055-328-4082 Fax) 055-328-4083

Plant #1 : 178-1 Woogye-Ri, Sangdong-Myun, Kimhae-Si, KyungNam, Korea

Plant #2 : 417-1 Geumsa-Dong, Geumjung-Gu, Busan