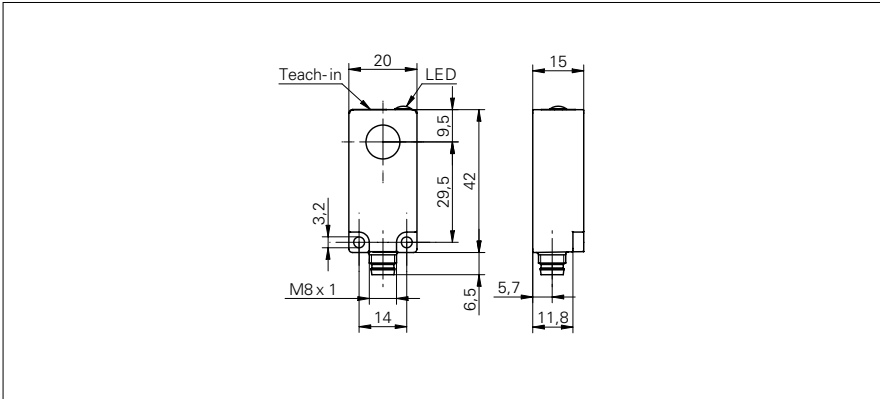


## Ultrasonic distance measuring sensors

## UNDK 20 (Sd = 1000 mm) Ultrasonic sensors

### sample drawing



### general data

scanning range sd	100 ... 1000 mm
scanning range close limit Sdc	100 ... 1000 mm
scanning range far limit Sde	100 ... 1000 mm
repeat accuracy	< 0,5 mm
resolution	< 0,3 mm
response time ton	< 80 ms
release time toff	< 80 ms
temperature drift	< 2 % of distance to target So
sonic frequency	240 kHz
adjustment	Teach-in
alignment aid	target indication flashing
light indicator	yellow LED / red LED

### electrical data

voltage supply range +Vs	15 ... 30 VDC
output current	< 20 mA
residual ripple	< 10 % Vs
short circuit protection	yes
reverse polarity protection	yes

### voltage output

current consumption max. (no load)	35 mA
output signal	0 ... 10 V / 10 ... 0 V

### current output

current consumption max. (no load)	55 mA
output signal	4 ... 20 mA / 20 ... 4 mA
load resistance +Vs max.	< 1100 Ohm
load resistance +Vs min.	< 400 Ohm

### mechanical data

type	rectangular
housing material	polyester
width / diameter	20 mm
height / length	42 mm
depth	15 mm
connection types	connector M8

### sample picture





## Ultrasonic distance measuring

## UNDK 20 (Sd = 1000 mm)

Ultrasonic sensors

### ambient conditions

operating temperature	-10 ... +60 °C
protection class	IP 67

### order reference

UNDK 20I6903/S35A

UNDK 20U6903/S35A

### output circuit

current output

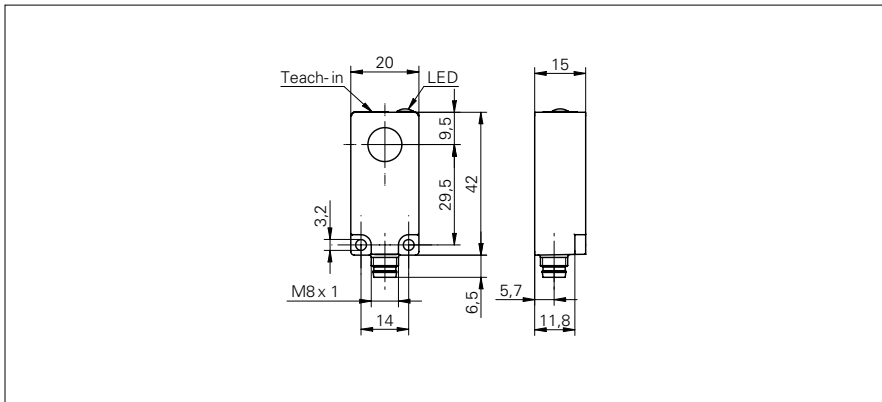
voltage output

## Ultrasonic distance measuring

## UNDK 20 (Sd = 200 mm)

### Ultrasonic sensors

#### sample drawing



#### general data

scanning range sd	20 ... 200 mm
scanning range close limit Sdc	20 ... 200 mm
scanning range far limit Sde	20 ... 200 mm
repeat accuracy	< 0,5 mm
resolution	< 0,3 mm
response time ton	< 30 ms
release time toff	< 30 ms
temperature drift	< 2 % of distance to target So
sonic frequency	380 kHz
adjustment	Teach-in
alignment aid	target indication flashing
light indicator	yellow LED / red LED

#### electrical data

voltage supply range +Vs	15 ... 30 VDC
output current	< 20 mA
residual ripple	< 10 % Vs
short circuit protection	yes
reverse polarity protection	yes

#### voltage output

current consumption max. (no load)	35 mA
output signal	0 ... 10 V / 10 ... 0 V

#### current output

current consumption max. (no load)	55 mA
output signal	4 ... 20 mA / 20 ... 4 mA
load resistance +Vs max.	< 1100 Ohm
load resistance +Vs min.	< 400 Ohm

#### mechanical data

type	rectangular
housing material	polyester
width / diameter	20 mm
height / length	42 mm
depth	15 mm
connection types	connector M8

#### sample picture





## Ultrasonic distance measuring

## UNDK 20 (Sd = 200 mm)

Ultrasonic sensors

### ambient conditions

operating temperature	-10 ... +60 °C
protection class	IP 67

### order reference

UNDK 20I6914/S35A

UNDK 20U6914/S35A

### output circuit

current output

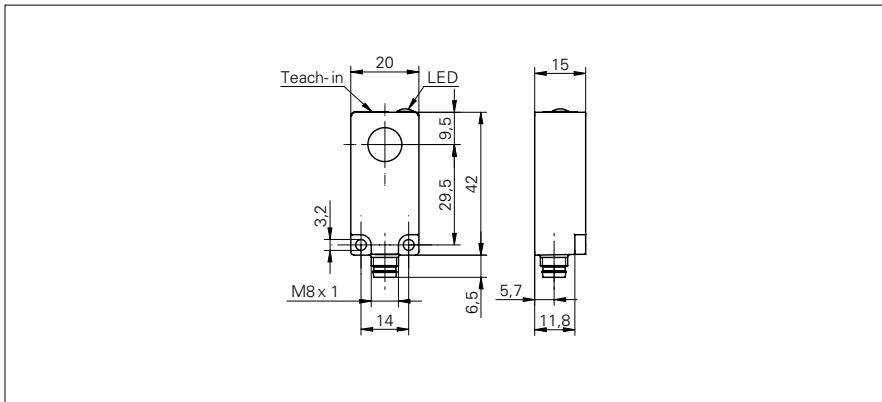
voltage output

## Ultrasonic distance measuring

## UNDK 20 (Sd = 400 mm)

### Ultrasonic sensors

#### sample drawing



#### general data

scanning range sd	60 ... 400 mm
scanning range close limit Sdc	60 ... 400 mm
scanning range far limit Sde	60 ... 400 mm
repeat accuracy	< 0,5 mm
resolution	< 0,3 mm
response time ton	< 60 ms
release time toff	< 60 ms
temperature drift	< 2 % of distance to target So
sonic frequency	290 kHz
adjustment	Teach-in
alignment aid	target indication flashing
light indicator	yellow LED / red LED

#### electrical data

voltage supply range +Vs	15 ... 30 VDC
output current	< 20 mA
residual ripple	< 10 % Vs
short circuit protection	yes
reverse polarity protection	yes

#### voltage output

current consumption max. (no load)	35 mA
output signal	0 ... 10 V / 10 ... 0 V

#### current output

current consumption max. (no load)	55 mA
output signal	4 ... 20 mA / 20 ... 4 mA
load resistance +Vs max.	< 1100 Ohm
load resistance +Vs min.	< 400 Ohm

#### mechanical data

type	rectangular
housing material	polyester
width / diameter	20 mm
height / length	42 mm
depth	15 mm
connection types	connector M8

#### sample picture





## Ultrasonic distance measuring

## UNDK 20 (Sd = 400 mm)

Ultrasonic sensors

### ambient conditions

operating temperature	-10 ... +60 °C
protection class	IP 67

### order reference

UNDK 20I6912/S35A

UNDK 20U6912/S35A

### output circuit

current output

voltage output