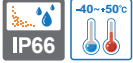


# Q70NSC

## Ø70mm LED Xenon Lamp Strobe Signal Lights



### Q70NSC Xenon Lamp Strobe Signal Lights

- Ø70mm xenon lamp strobe signal lights
- High efficiency strobe light that offers excellent outdoor visibility and long-distance signal light luminance close to natural light
- Lamp connector fastening structure allows for convenient lamp replacement
- Flashing rate : 60-80 flashes/min
- Materials : Lens-PC, Housing-ABS
- Ambient operating temperature : -40°C to +50°C
- Protection rating : IP66



Q70NSC

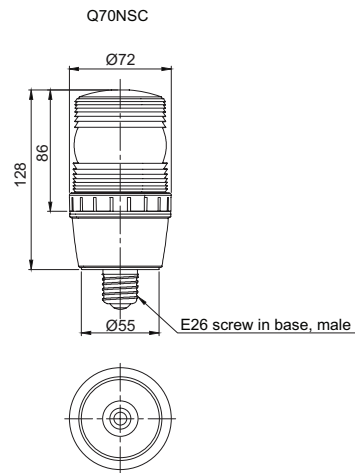


### Specifications

Model number	Voltage	Current	Certificates	Weight	Color
Q70NSC	AC110V	Max. 0.050A	-	0.19kg	<ul style="list-style-type: none"> <li>• R-Red</li> <li>• A-Amber</li> <li>• G-Green</li> <li>• B-Blue</li> </ul>

### Technical Diagram

(Units : mm)



### Wiring Instructions

- Edison screw bulb (E26) socket allows for easy and convenient wiring.



### Ordering Specification

<b>Q70NSC</b>	-	<b>110</b>	-	<b>A</b>
[Model number]		[Voltage]		[Color]
• Q70NSC		• 110-AC110V		<ul style="list-style-type: none"> <li>• R-Red</li> <li>• A-Amber</li> <li>• G-Green</li> <li>• B-Blue</li> </ul>

## ООО “РусАвтоматизация”