

OPERATING MANUAL

SED / SD / SMD

OPERATING MANUAL

Heavy Duty Bulb Revolving Warning Light with Phone

Thank you for purchasing Q.Light product.
Please read this manual carefully before installing this system for safe and long use of the product.

1 Product Feature

- Aluminum housing product with high durability.
- Signal sound built-in product with warning light and phone integrated. This structure can transmit both visual signal and auditory signal at same time.
- Material : Lens-PC, Body-DIECAST AL,
Horn Housing-SUS316L, Reflector-Heat Resisting ABS,
Protection Cage(Optional)-SUS316L
- RPM : 120-140/Min.(Controllable) ▪ Protection Class : IP56
- Volume : SED,SD : 113-118dB(1m), SMD 115-120dB(1m)
- Protection Class : IP56

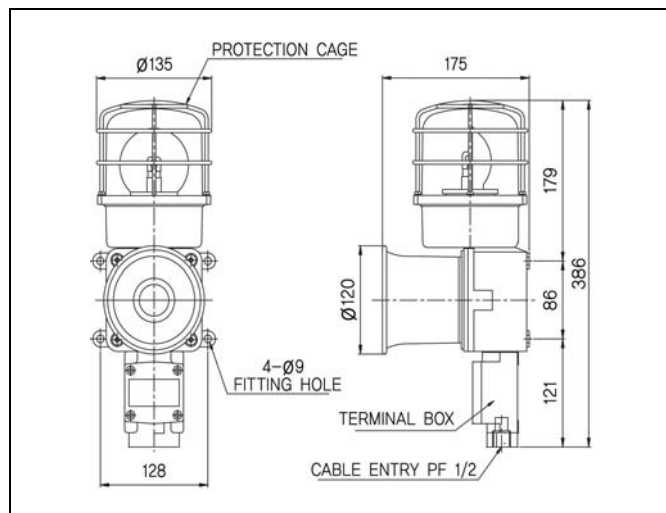
2 Specification & External View Drawing

1) SED

Product Specification

Model	Rated Voltage	Current	Bulb			Weight	Color
SED	DC12V	2.240A	12V15W	G23 15S	17	3.17Kg	Red-R Amber-A Green-G Blue-B
	DC24V	1.440A	24V15W	G23 15S	18		
	AC110V	0.321A	12V15W	G23 15S	17	3.94Kg	
	AC220V	0.156A	12V15W	G23 15S	17		

External View Drawing

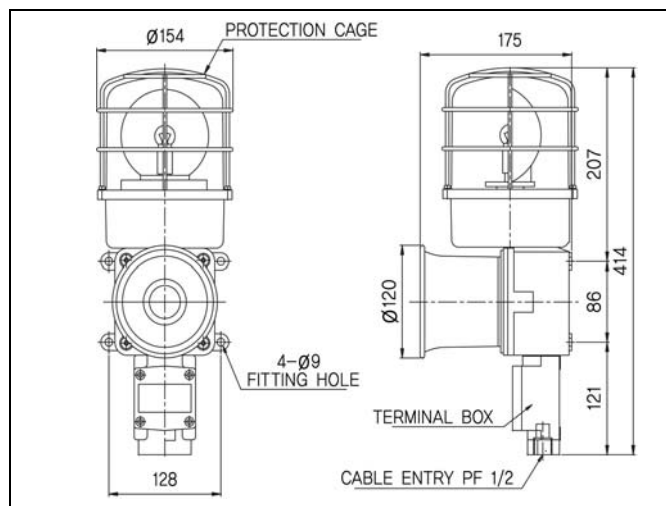


2) SD

Product Specification

Model	Rated Voltage	Current	Bulb			Weight	Color
SD	DC12V	2.240A	12V15W	G23 15S	17	3.43Kg	Red-R Amber-A Green-G Blue-B
	DC24V	1.440A	24V15W	G23 15S	18		
	AC110V	0.321A	12V15W	G23 15S	17	4.21Kg	
	AC220V	0.156A	12V15W	G23 15S	17		

External View Drawing



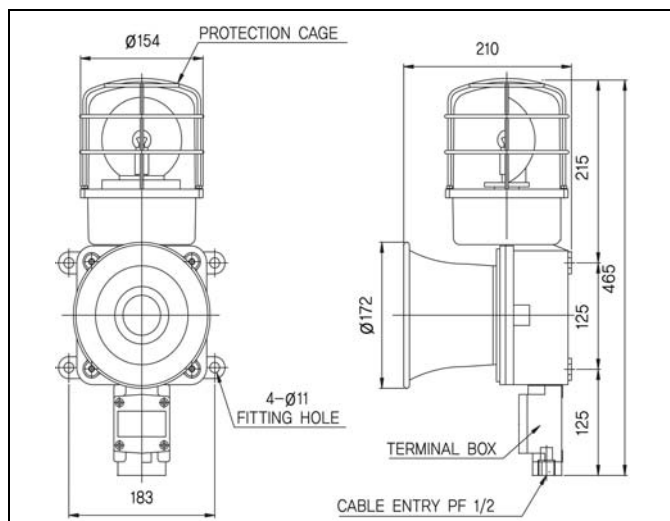
3) SMD

Product Specification

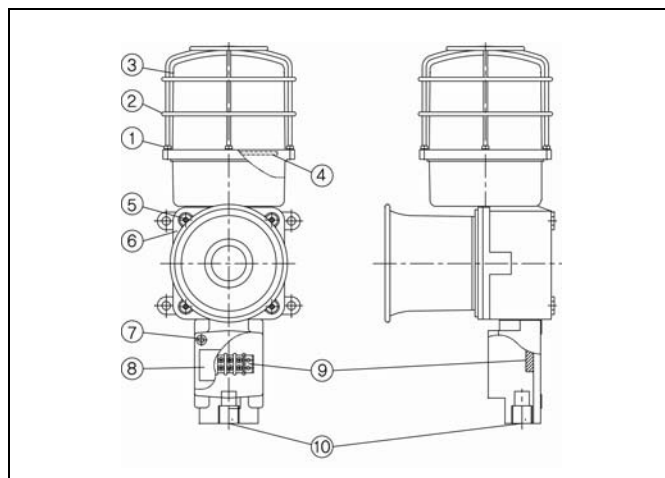
Model	Rated Voltage	Current	Bulb			Weight	Color
SMD	DC12V	2.240A	12V15W	G23 15S	17	5.98Kg	Red-R Amber-A Green-G Blue-B
	DC24V	1.440A	24V15W	G23 15S	18		
	AC110V	0.321A	12V15W	G23 15S	17	6.76Kg	
	AC220V	0.156A	12V15W	G23 15S	17		

OPERATING MANUAL

External View Drawing



4 Structure Drawing



3 Sound Tone Specification

Type	Main Built-in Sound	CH	Sound Tone	Volume
WS	5 Warning Sounds	ch1	Fire A-ANG(Wail)	118dB 120dB(SMD)
		ch2	Emergency WA-U(Yelp)	
		ch3	Ambulance PI-PO(High-Low)	
		ch4	Machinery Fault(PI-PI-PI-)	
		ch5	Foam Release Alarm (PI~Continuous)	
WP	5 Special Warning Sounds	ch1	Fire A-ANG(Wail)	118dB 120dB(SMD)
		ch2	Abandon Alarm	
		ch3	Machinery Fault(PI-PI-PI-)	
		ch4	Foam Release Alarm (PI~Continuous)	
		ch5	General Alarm (Long PI~+ 7 Short PI.)	
WM	5 Melodies	ch1	Sweet Home	118dB 120dB(SMD)
		ch2	For Elise	
		ch3	Cuckoo's Waltz	
		ch4	Piano Sonata	
		ch5	Turkish March	
WA	5 Alarms	ch1	Beep(Intermittent)	116dB 118dB(SMD)
		ch2	Door Chime	
		ch3	Phone Ring	
		ch4	Machinery Fault(PI PI PI PI.)	
		ch5	Tripping Bead Sound	
WV	3 Voice Signals	ch1	Reproduction of Voice Recording 3 Channels	113dB 115dB(SMD)
		ch2		
		ch3		

5 Revolving Speed Control, Bulb Change

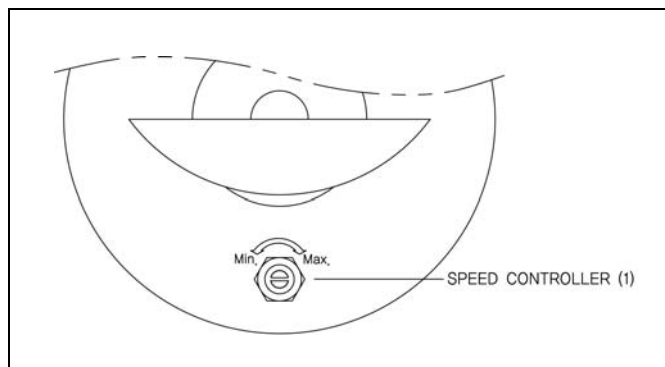
This product has a volume(1) for controlling revolving speed on assembling board. Refer to above structure drawing together with below drawing and explanation for right operating.

1) Lens(Protection Cage) Removal

Remove Protection Cage② and Lens③ from the product by loosening bolt(M4-4EA)① and make sure assembling board④.

2) Revolving Speed Control

- The volume(1) for revolving speed control is built-in this product. Turn it clockwise for increasing revolving speed and turn it counterclockwise for decreasing revolving speed.
- If give excess power to the volume, it can be broken. Be careful !



3) Bulb Change

* Warning !! Turn off Power

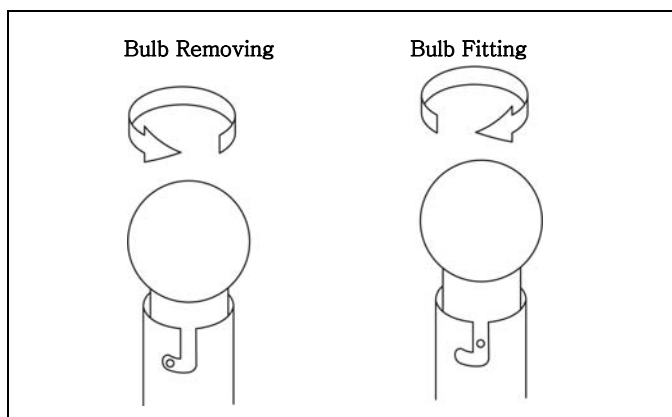
Must turn off power supply and change the bulb after at least 1 minute.

- Make sure the rated voltage and wattage of new bulb. If the voltage of new bulb is higher than that of original bulb, the

OPERATING MANUAL

self-life of product can be reduced and can cause damage on lens and reflector. Therefore, please use same bulb as original one which has same rated voltage and wattage or lower one.

- Bulb Removal : Press slightly the bulb downward and turn it counterclockwise for removing.
- Bulb Fitting : Fit new bulb into the socket by pressing it clockwise.

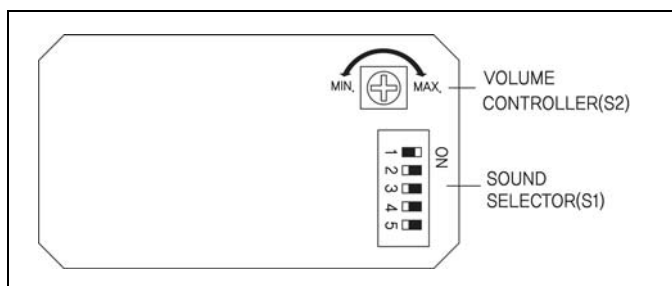


4) Lens(Protection Cage) Assembling

Assemble the lens(or Lens and Protection Cage) in reverse order of separating.

6 Sound Tone Selection, Volume Control

Refer to structure drawing together with below drawing and explanation for right operating. Phone control board has sound tone selection switch and volume controller.



1) Cover Removal

Separate cover⑥ by loosening cover bolt M5 4EA⑤ on the box of phone control board.

2) Sound Tone Selection

- 5 Warning sound tones are built-in this product. In case of standard product, select preferable sound tone by using internal sound tone selection switch(S1).
- In case of LC Type(Custom-Made) product, refer to the explanation and drawing in article 7.

3) Volume(dB) Control

- Volume controller(S2) is built-in this product. Turn it clockwise for increasing volume or turn it counterclockwise for decreasing volume.

4) Cover Assembling

Assemble the cover of phone control box in reverse order of separating.

7 Wiring Instruction

Refer to structure drawing together with below drawing and explanation for right operating.

1) Terminal Box Cover Removal

This product has terminal box for power line connection on the lower part of body.

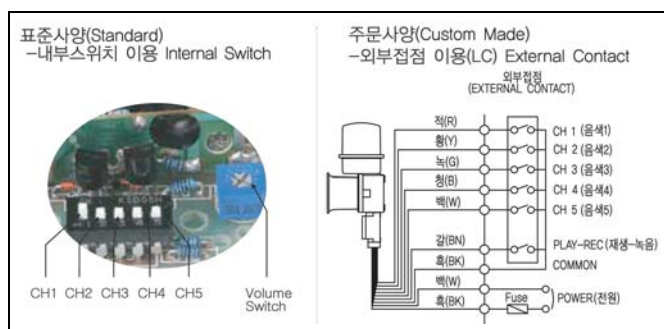
- Remove cover⑧ and terminal box by loosening cover bolt(M5 4EA) ⑦.

2) Wiring Power Line

- Connet power line to terminal plate⑨.
- Treat the end of power cable by using “O” or “U” type terminal for safe wiring.
- In case of product using AC voltage, connect the line without polarity(wire color).
- In case of product using DC voltage, black line is negative(-).

■ Wiring for LC(External Contact) Type – Custome Made

- In case of LC type which selets sound tone by external contact, power line and signal line come out. Connect each line as below.
- Power Line : UL1015-NO.16(1.25sq) x 2C 400mm
- Signal Line : UL1007-NO.22(0.3sq) 400mm
- In case of product using AC voltage, do not allow power supply either to common line or to signal line..



3) Treating Power Entry

- Keep the tightness of power entry⑩ by using water-proof connector(15C Nipple is supplied as a standard specification) or cable grand.
- Product can be damaged by water or dust if the cable entry is exposed outdoor without airtightening.

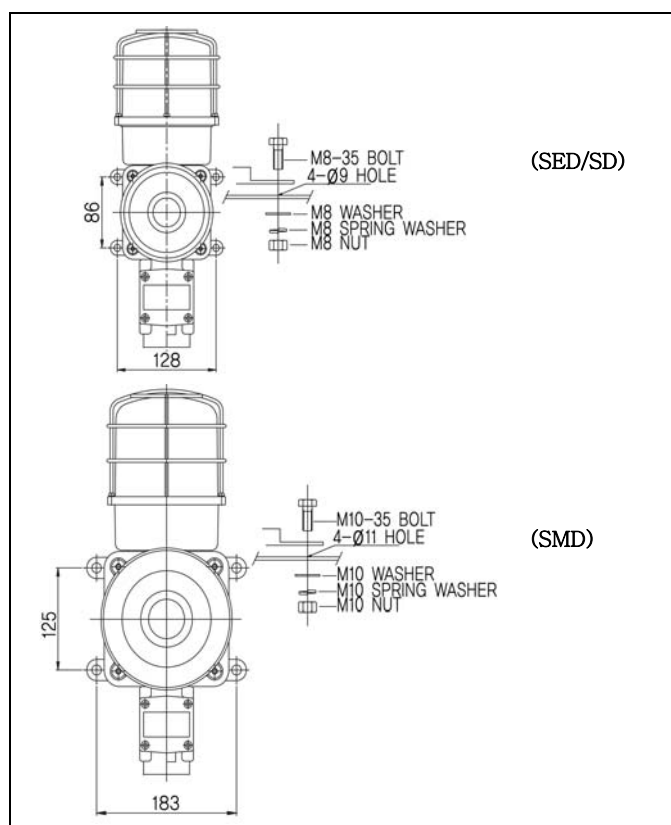
4) Terminal Box Cover Assembling

Assemble terminal box cover in reverse order of separating.

OPERATING MANUAL

8 Mounting

- This product is water-proof and anti-corrosion type for outdoor use. But, install with vertical direction at a place or machine where exists no big vibration and no strong impact as long as possible.
- Refer to below information and drill necessary mounting holes on profitable part of the product.
(Make sure PCD from external view drawing.)
- Fix the product by using mounting bolt(M8-4EA) for SED & SD and another mounting bolt(M10-4EA) for SMD.



10 Troubleshooting

Situation	Main Cause	Solution
Non Lighting	Wire Disconnection with Bulb	Wire Re-connection or Bulb Change
Feeble Lighting Low Revolving Speed Sound Tone Deter orat on	Supplying Voltage Lower Than Rated Voltage	Making Sure Using Voltage
	Wrong Selecting Voltage Selection Switch to 220V (In Case of AC Type)	Selecting Voltage Selection Switch to 110V
	Wrong Operating Revolving Speed Control Volume	Turn the Volume Clockwise
Short Self-Life of Bulb	Supplying Voltage Higher than Rated Voltage	Making Sure Using Voltage
Lens Deformation Caused by Bulb Overheating Damage on Transformer (AC Type)	The Voltage of Bulb is Higher than Rated Voltage	Changing Bulb with Rated Voltage
Non Revolving	Problem with Motor	Contact Q.Light or Their Agent
Higher dB than Standard	Supplying Voltage Higher than Rated Voltage	Making Sure Using Voltage
Double Sound Tone	Short Circuit of Sound Tone Signal Line	Making Sure Wiring
	Problem with Sound Tone Selection Switch	Contact Q.Light or Their Agent
No Sound	Wrong Wiring	Making Sure Wiring
	No Power Supply	Making Sure Wiring
	Problem with Horn	Contact Q.Light or Their Agent

— For A/S & Information on Product

Q-LIGHT CO., LTD.

<http://www qlightkr.com>

E-mail : qlightkr@qlightkr.com

Seoul Office (Domestic Sales & A/S)

Tel) 02-2679-6152

Ansung BD A-312, 410-13 Sindorim-Dong, Guro-Gu, Seoul

Overseas Marketing Team / Plant

Tel) 055-328-4082 Fax) 055-328-4083

Plant #1 : 178-1 Woogye-Ri, Sangdong-Myun, Kimhae-Si, KyungNam, Korea

Plant #2 : 417-1 Geumsa-Dong, Geumjung-Gu, Busan

9 Caution

- This product is explosion-proof, water-proof and anti-corrosion type. When separate and assemble the product for wiring, repair or check, keep the airtightness of the product by tightening each bolt and nut.
- If using voltage is seriously higher or lower than rated voltage, it can reduce the self-life of the product or can cause a problem on product operating. Make sure the using voltage does not exceed +/- 5% of the rated voltage.
- If lens or body of the product is contaminated by chemicals such as thinner, benzene, the product can be damaged, discolored or deformed. Please be careful.
- Keep airtightness of cable entry by using water-proof cable gland or water-proof connector. Product can be damaged by water or dust if the cable entry is exposed outdoor without airtightening