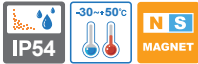


# S80 series

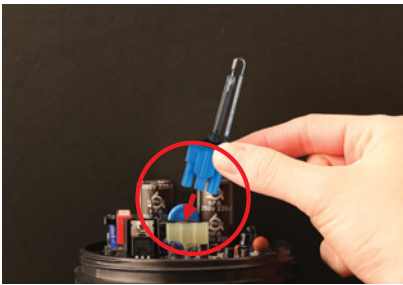
## Ø80mm Xenon Lamp Strobe Signal Lights



S80S



S80SM



### Xenon lamp replacement instructions

Convenient replacement with connector lamp type. Lamp replacement is safe after the product is powered off for 30 mins.

### Customization

- AC Type (S80SM)
- Wall mount bracket options (S80S) : Bracket structure allows for threading through the bracket hole or into the wall mount



Wall Mount Bracket  
TWS80



Wall Mount Bracket  
TWA80

### Common Specifications(S80S/ S80SM)

- Ø80mm xenon lamp strobe signal lights
- High efficiency strobe light that offers excellent outdoor visibility and long-distance signal light luminance close to natural light
- Lamp connector fastening structure allows for convenient lamp replacement
- Flashing rate : 60-80 flashes/min
- Materials : Lens-AS, Housing-ABS,
- Ambient operating temperature : -30°C to +50°C
- Protection rating : IP54

### S80S Xenon Lamp Strobe Light

- Certificates : CE Compliant

Model number	Voltage	Current	Bulb			Certificates	Weight	Color
			Spec	Standard	Parts no			
S80S	DC12V	0.433A	220V -350V	BGA2120	47	CE	0.21kg	• R-Red
	DC24V	0.216A		-BBC			0.21kg	• A-Amber
	AC110V	0.076A		I type			0.21kg	• G-Green
	AC220V	0.061A					0.21kg	• B-Blue

### Wiring Instructions

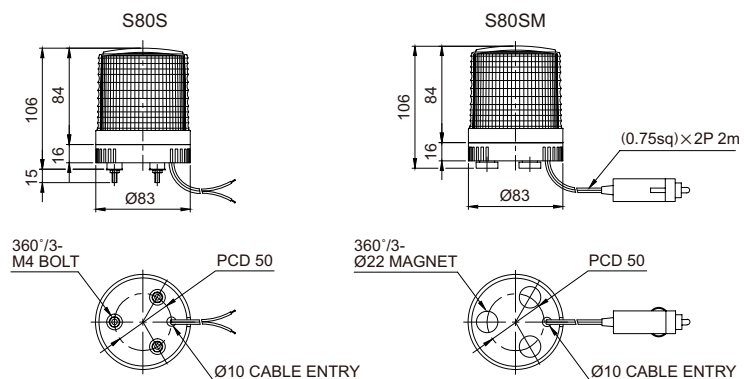
- External power line standard : UL1015 AWG18(0.75sq)×2C 400mm
- Product can be wired regardless of polarity

### S80SM Xenon Lamp Strobe Light Equipped with Magnet

Model number	Voltage	Current	Bulb			Certificates	Weight	Color
			Spec	Standard	Parts no			
S80SM	DC12V	0.433A	220V -350V	BGA2120	47	-	0.24kg	• R-Red
	DC24V	0.216A		-BBC			0.24kg	• A-Amber
				I type				• G-Green
								• B-Blue

### Technical Diagram

(Units : mm)



### Wiring Instructions

- Cigarette lighter plug : IEC42(0.75sg)×2P 2m

### Ordering Specification

S80S	-	24	-	R
[Model number]		[Voltage]		[Color]
• S80S • S80SM		• 12-DC12V • 24-DC24V • 110-AC110V • 220-AC220V		• R-Red • A-Amber • G-Green • B-Blue

## ООО "РусАвтоматизация"

454010 г. Челябинск, ул. Гагарина 5, оф. 507

тел. 8-800-775-09-57 (звонок бесплатный), +7(351)799-54-26, тел./факс +7(351)211-64-57

[info@rusautomation.ru](mailto:info@rusautomation.ru); [rusautomation.ru](http://rusautomation.ru); [www.rusautomation.ru](http://www.rusautomation.ru)