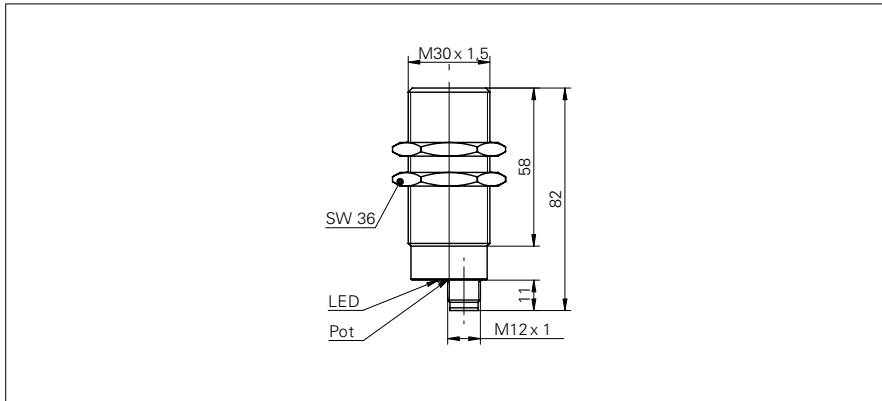


Capacitive proximity sensors
CFAM 30
sample drawing

general data

mounting type	shielded
nominal sensing distance Sn	15 mm
nominal sensing distance Sn adjustable	4 ... 15 mm
temperature drift	± 15 % (+10 ... +70 °C)
sensitivity adjustment	potentiometer
output indicator	LED yellow

electrical data

voltage supply range +Vs	10 ... 30 VDC
current consumption max.	20 mA
output current	< 200 mA
voltage drop Vd	< 1,5 VDC
switching frequency	< 50 Hz
short circuit protection	yes
reverse polarity protection	yes

mechanical data

type	cylindrical threaded
housing material	brass nickel plated
dimension	30 mm

ambient conditions

operating temperature	-25 ... +75 °C
protection class	IP 65

sample picture


order reference	housing length	output circuit	connection types
CFAM 30N1600	71 mm	NPN make function (NO)	cable, 2 m
CFAM 30N1600/S14	82 mm	NPN make function (NO)	connector M12
CFAM 30N3600	71 mm	NPN break function (NC)	cable, 2 m
CFAM 30N3600/S14	82 mm	NPN break function (NC)	connector M12
CFAM 30P1600	71 mm	PNP make function (NO)	cable, 2 m
CFAM 30P1600/S14	82 mm	PNP make function (NO)	connector M12
CFAM 30P3600	71 mm	PNP break function (NC)	cable, 2 m
CFAM 30P3600/S14	82 mm	PNP break function (NC)	connector M12