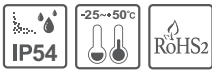
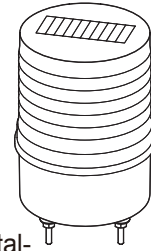


# Solar Rechargeable LED Flashing Signal Light

## S80SOL/ S100SOL/ S125SOL



Thank you for purchasing Qlight's products. Please read this user manual carefully prior to installation and operation to ensure safe and correct use.

### ⚠ Precautions for Safety

Failure to follow the instructions below may cause a loss of life or serious physical injury.

1. During wiring or maintenance, please completely turn off the power of the product. (Failure to follow this may lead to an electric shock.)
2. Do not install the product in locations that subjects it to excessive dust or water other than the conditions designated by the IP protection ratings indicated for each product. (Failure to follow these instructions may cause a fire to the product, electric shock, physical injury, malfunction or damage to the product.)
3. Do not alter or repair this product. If maintenance or repair service is required, please contact your local Qlight contact point. (Failure to follow these instructions may lead to fire, electric shock, or product damage.)
4. Please apply the correct voltage to the product. (Failure to follow these instructions may lead to fire, electric shock, or product damage.)
5. When the product is applied to a condition that may impact lives or property, please make sure to have a double safety device. (Failure to follow this may cause damage to property, fire, electric shock and loss of life.)

### ⚠ Precautions for Correct Use

Failure to follow the proper instructions may cause damage to property, the product, or malfunction of the product that would void the warranty.

1. Please remove any objects that can interrupt ventilation around the product.
2. Please turn off the power of the product immediately if it fails to operate properly.
3. Carefully wire the product according to each product's specification.
4. Please be careful in preventing chemicals such as thinner, benzene, etc. in contact with the surface of the product.
5. Do not apply excessive force/impact to the product.
6. Failure to follow any of the instructions above may cause malfunction or damage to the product, fire, and electric shock.

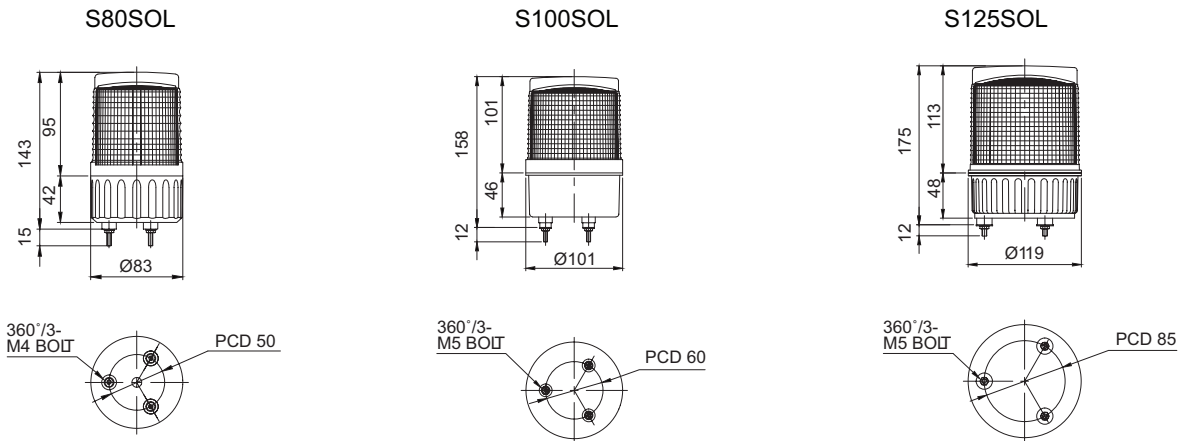
### Ordering Specifications

S80SOL	R
[Model number]	[Color]
• S80SOL	R-Red
• S100SOL	A-Amber
• S125SOL	

### Product Specifications

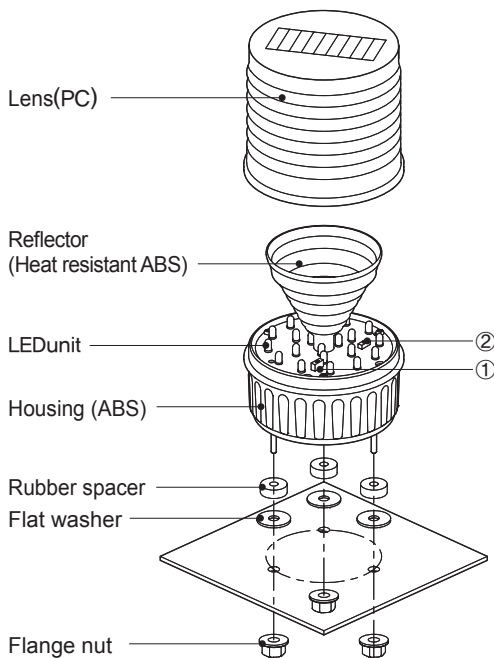
Model number	Battery voltage	Battery capacity	Continuous operating time with no charge	Certificate	Weight	Color
S80SOL	2.4V	0.0700Ah	30Hr	CE	0.27kg	R-Red A-Amber
S100SOL			40Hr		0.41kg	
S125SOL			50Hr		0.51kg	

- Protection rating : IP54
- Ambient operating temperature : -25°C to +50°C

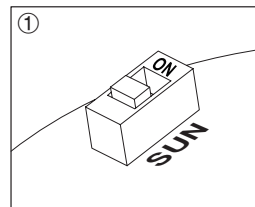


**Parts Definition/ Installation/ Light Function Selection**

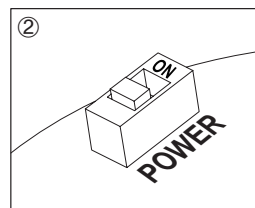
■ **Parts Definition/ Installation**



■ **Light Function Selection**



① Sun Switch  
 - Automatically turns on the light when darkness is detected.  
 Factory default is set to OFF.

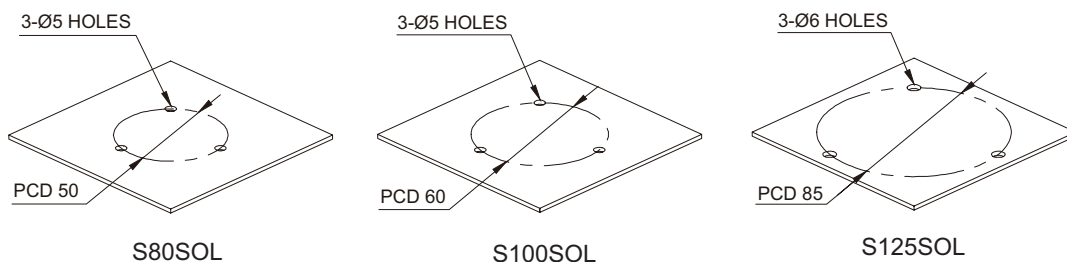


② Power Switch  
 - ON/OFF power switch that prevents discharge prior to use.  
 Factory default is set to OFF.

- First, remove the flange nuts from bolts and place the product through the mounting surface holes.
- Fasten the flange nuts on the opposite side of the mounting surface until the product is tightened securely.

**Mounting Hole Specifications**

- Machine holes on the mounting surface referring to the diagram below.



## Installation Environment and Protection Rating

- This product is designed for use with protection rating of IP54.
- If the product is installed in locations that subject it to excessive dust or water other than the designated IP protection rating indicated(IP54), it may cause malfunction or damage to the product.
- In case of outdoor applications, install the product in the upright position. Do not install the product horizontal or upside-down positions where water can potentially penetrate into the product and impact it's operation.
- For further information, please visit our website ([www.qlight.com](http://www.qlight.com)).

## Mounting Accessories (Sold Separately)

- Please refer to the dimensions below for installation of mounting brackets

	Dimensions	
S80SOL	<p> <math>\phi 12</math>            PCD40~50            PCD40            360°/3-  <math>\phi 5</math> HOLES            4-<math>\phi 5</math> HOLES  <math>\phi 12</math> CABLE ENTRY            66            36            50            25            50            84            TWS80         </p>	<p> <math>\phi 12</math>            PCD40~50            PCD40            360°/3-  <math>\phi 5</math> HOLES            4-<math>\phi 5</math> HOLES  <math>\phi 12</math> CABLE ENTRY            66            36            50            25            50            84            TWA80         </p>
S100SOL S125SOL	<p> <math>\phi 22</math>            PCD85            PCD60~70            PCD50            360°/3-  <math>\phi 5.5</math> HOLES            6-<math>\phi 5.5</math> HOLES            4-<math>\phi 5.5</math> HOLES  <math>\phi 10</math> CABLE ENTRY            115            11.5            65            26.5            70            90            SWP125         </p>	<p> <math>\phi 22</math>            PCD85            PCD60~70            PCD50            360°/3-  <math>\phi 5.5</math> HOLES            6-<math>\phi 5.5</math> HOLES            4-<math>\phi 5.5</math> HOLES  <math>\phi 10</math> CABLE ENTRY            115            11.5            65            26.5            70            90            SWM125         </p>