

# MW86T Series D86mm Wall mounting Signal Light (Multi Sound)



MW86T Series combines LED Signal Light and Sound.

It can be easily fixed on the wall without extra equipments.

- Steady , Flashing , Rotating functions from high-bright LED
- 2 Types of Flashing function - Regular flashing , Urgency signal flashing
- Built-in Button for sound volume adjusting and rotating speed adjusting
- Built-in Speaker for 3 sounds
- Removable Horn is offered



## Ordering Information

MW86T - R 00 - Y - M3 (B)

① ② ③ ④ ⑤ ⑥

### 1. Series

MW86T	LED unicolor multi-functional product
-------	---------------------------------------

### 2. Functions

R	Steady + Flashing + Rotating
---	------------------------------

### 3. Power Supply

00	12 ~ 24VDC
FF	90 ~ 240VAC

### 4. Lens Colors

R	Red	B	Blue
Y	Yellow	C	Clear
G	Green		

### 5. Select Sound type

M3	3 Melody sounds
S3	3 Siren sounds

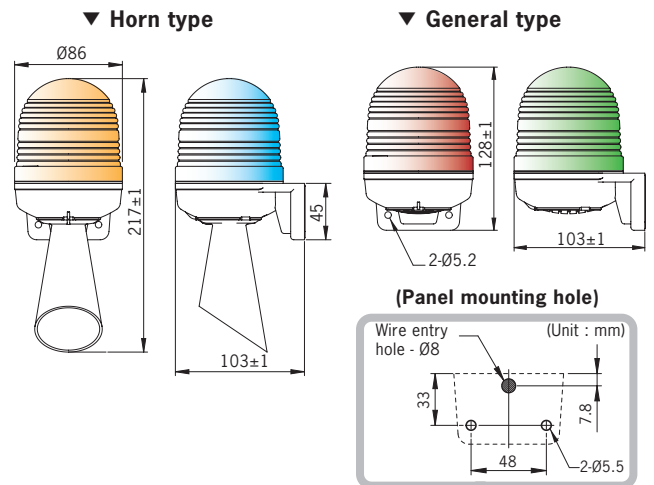
► 3 Melody For Elise, Home, Sweet Home, Cuckoo Walts

► 3 Siren Fire siren, Police siren, Ambulance siren

### 6. Body Color (Option)

	Ivory
(B)	Black

## Dimensions (unit: mm)



## Specifications

LED Functions	Steady + Flashing + Rotating	
Power Supply	12 ~ 24VDC , 90 ~ 240VAC (AC. 50/60Hz)	
Wiring	Lead wire	
Rotating Rate	min60 ~ max300rpm ±10% (Clockwise rotation)	
Flashing Rate	F1 : 80 flashing per minute (±5) F3 : 240 flashing per minute (±10)	
Material	Body - ABS , Lens Cap - PC	
Mounting	Wall mounting (upright only)	
Ambient Temperature	-20 to 40°C	Storage Temperature   -20 to 70°C
Ambient Humidity	45~85% RH	
Inner Vibration	0.75mm at 10~55Hz	
Wire specifications	1007UL / 22AWG , Sound wire - 2464UL / 22AWG	
Approvals	RoHS	

	General Type	Horn Type
Sound volume (1m)	55 ~ 85±5dB	55 ~ 90±5dB
Degree of Protection	IP43	IP54
Weight (AC type basis)	App. 279g	App. 306g

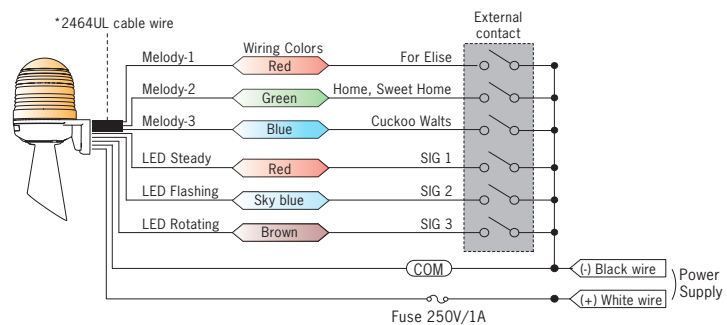
Note : Life of the LED varies according to operating conditions and environment.

## Current consumption (Combined current consumption of both LED light and sound)

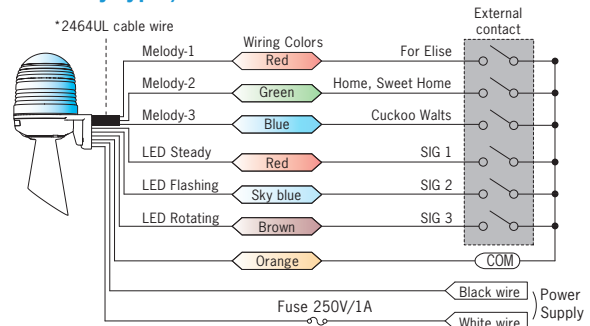
	12 ~ 24VDC	90 ~ 240VAC
Red , Yellow , Green, Blue and White LED	Max. 0.32A±10%	Max. 0.10A±10%
Only sound operation	Max. 0.20A±10%	Max. 0.06A±10%

## Wiring Diagram

### ► Melody type / 12 ~ 24VDC



### ► Melody type / 90 ~ 240VAC



## Wiring Diagram (Siren type) , Sound Setting table

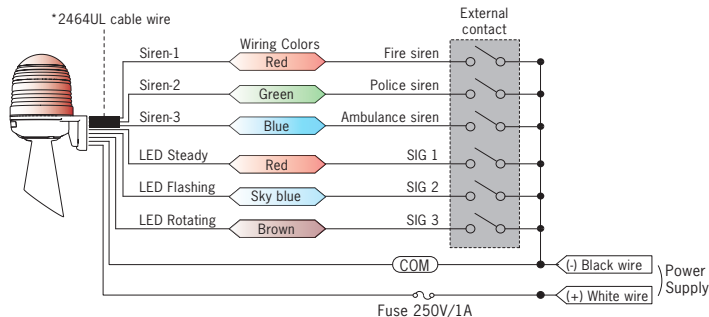
Note: See page 37

# MW86T, MW86M Series Wiring Diagram

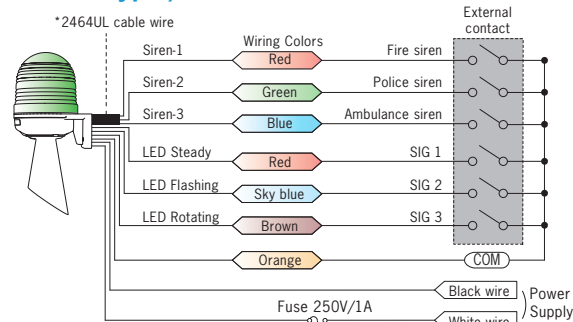
## Wiring Diagram

### MW86T Series

#### ► Siren type / 12 ~ 24VDC

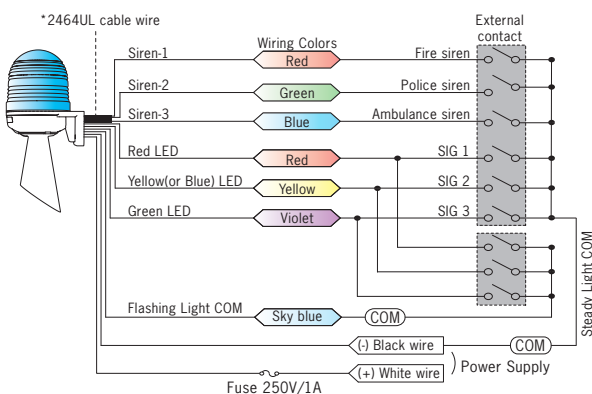


#### ► Siren type / 90 ~ 240VAC

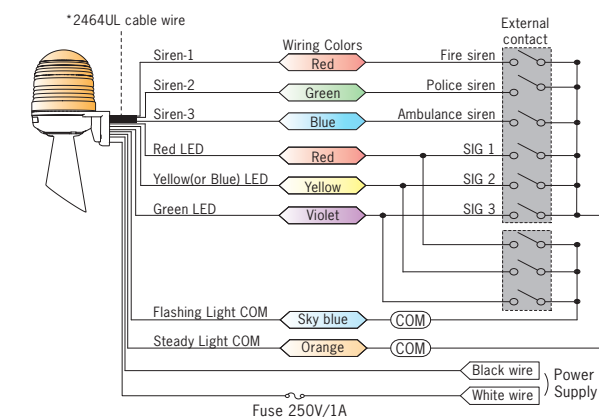


### MW86M Series

#### ► Siren type / 12 ~ 24VDC



#### ► Siren type / 90 ~ 240VAC



## Sound setting and operation (MW86T, MW86M, MW86N Series)

### ► Melody sound

Wiring Colors	Red wire	Green wire	Blue wire	Melody reaction	Notes
Normal entry conditions	1	1	1	Notes	1. If you don't select any signal (Under this condition, 111 is displayed), or select three signals at the same time (Under this condition, 000 is displayed), then the melody doesn't play.  2. Priority order of melody-playback (1) Red wire - For Elise (2) Green wire - Home, Sweet Home (3) Blue wire - Cuckoo Walts
	0	1	1	For Elise	
	1	0	1	Home, Sweet Home	
Priority entry conditions	1	1	0	Cuckoo Walts	
	1	0	0	For Elise (priority-1)	
	0	1	0	Home, Sweet Home (priority-2)	
	0	0	1	Cuckoo Walts (priority-3)	

### ► Siren sound

Wiring Colors	Red wire	Green wire	Blue wire	Melody reaction	Notes
Normal entry conditions	1	1	1	Notes	It's impossible to input two or three signals at the same time  ※ If you connect several wires at the same time, sounds will be played sequentially according to the priority order. Fire siren → Police siren → Ambulance siren
	0	1	1	Fire siren	
	1	0	1	Police siren	
	1	1	0	Ambulance siren	

## ООО "РусАвтоматизация"

454010 г. Челябинск, ул. Гагарина 5, оф. 507

тел. 8 800 775 09 57 (звонок бесплатный), +7(351)799 54 26, тел./факс +7(351)211 64 57

info@rusautomation.ru; rusavtomatizatsiya.pф; www.rusautomation.ru