

### 45mm Bulb type Tower Light (BULB)

#### USER MANUAL

Congratulations on your decision to purchase a Menics product. Before operation, read and comprehend its contents for correct and safe use. Do not discard this User Manual. Keep it readily available for reference during use or when performing any service related function.

#### ◆ Feature

- Bright light by prism cut design of the lens.
- Standard stack color  
1stack-Red, 2stack-Red,Green  
3stack-Red,Yellow,Green and Blue  
4stack-Red,Yellow,Green,Blue  
5stack-Red,Yellow,Green,Blue,White

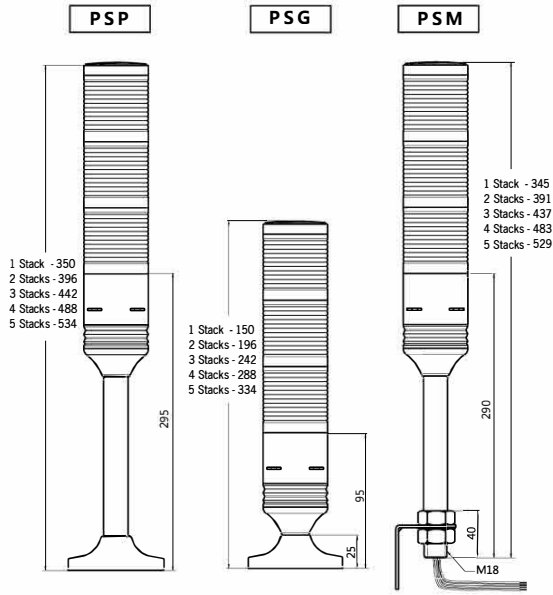
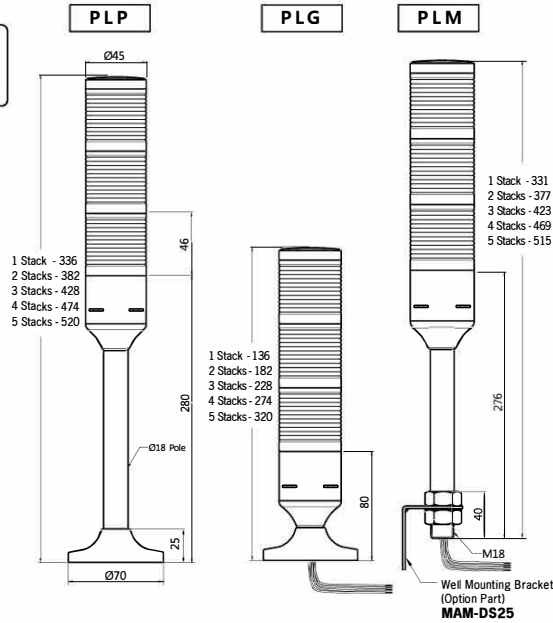
#### ◆ Ordering Information

**PSP - 3 2 0 - R Y G**

① ② ③ ④ ⑤

<b>1. Series</b>			
PS	Vibration proof tower light		
PO	Tower light (No Vibration rubber)		
<b>2. Mounting type</b>			
P	Aluminum Pole + Plastic mount base		
G	Plastic mount base		
M	M18screw Aluminum Pole mount		
<b>3. Number of Stack</b>			
1	1 Stack	2	2 Stacks
2	3 Stacks	3	3 Stacks
3	4 Stacks	4	4 Stacks
4	5 Stacks	5	5 Stacks
<b>4. Power Supply</b>			
01	12VAC/DC	10	110VAC
02	24VAC/DC	20	220VAC
<b>5. Lens Color (Top to bottom)</b>			
R	Red	B	Blue
Y	Yellow	C	Clear
G	Green		

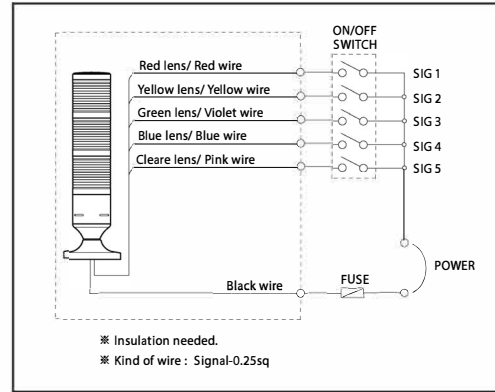
#### ◆ External Dimensions <unit: mm>



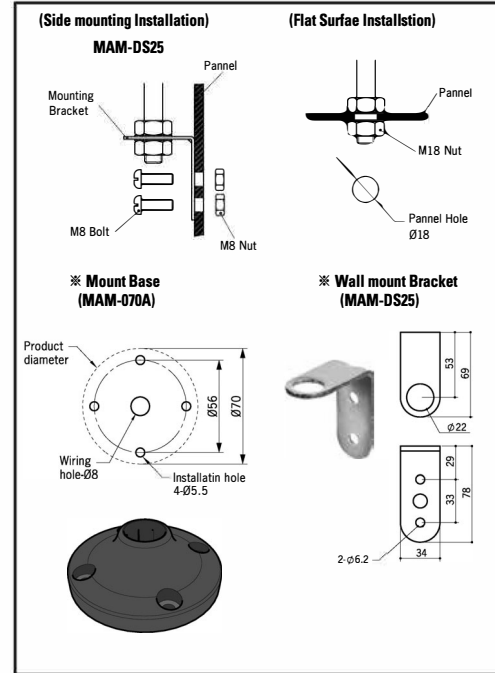
#### ◆ Specification

	Model	Current consumption	Bulb type
1	-101-R	12V AC/DC	12V 5W
	-102-R	24V AC/DC	24V 5W
	-110-R	100~130V AC	130V 5W
	-120-R	200~240V AC	240V 5W
2	-201-RG	12V AC/DC	12V 5W
	-202-RG	24V AC/DC	24V 5W
	-210-RG	100~130V AC	130V 5W
	-220-RG	200~240V AC	240V 5W
3	-301-RYG	12V AC/DC	12V 5W
	-302-RYG	24V AC/DC	24V 5W
	-310-RYG	100~130V AC	130V 5W
	-320-RYG	200~240V AC	240V 5W
4	-401-RYGB	12V AC/DC	12V 5W
	-402-RYGB	24V AC/DC	24V 5W
	-410-RYGB	100~130V AC	130V 5W
	-420-RYGB	200~240V AC	240V 5W
5	-501-RYGBW	12V AC/DC	12V 5W
	-502-RYGBW	24V AC/DC	24V 5W
	-510-RYGBW	100~130V AC	130V 5W
	-520-RYGBW	200~240V AC	240V 5W

#### ◆ Connetion



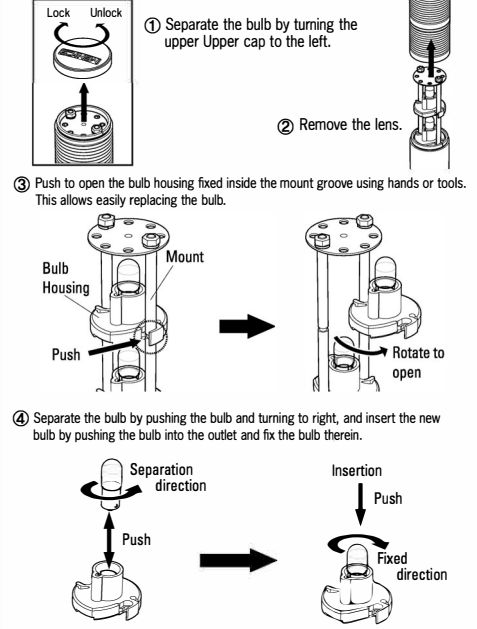
#### ◆ Installation



#### ◆ Change Globe lens or Bulb

- Avoid dissembling and replacing bulbs while a power is being supplied. (Electrocution may occur)
- Avoid replacing bulbs light after the power supply is interrupted. (Bulb heat may result in personal injuries)
- Always replace bulbs using bulbs supplied by and on our specification .

Comply with and read the following procedures when replacing the bulbs.



#### ⚠ Caution

- Do not place obstacles obstructing ventilation near product. (Product damage or product deformation may occur due to over heating.)
- Avoid touching an electric bulb for (approximately five minutes) after replacement. (Fire and product damage may occur including burning your fingers.)
- In case abnormality happens to the product, unplug the input power connection immediately. (There is the danger of fire or product damage.)
- Avoid using at a place of high vibration level. (Product damage may occur.)
- Avoid using water or detergent when cleaning, and clean with dry cloth. (Electrocution may occur.)

#### PS Series



#### PL Series



#### ◆ Bulb Replacement Parts

<p>Energy Used: 5 watts                  Base Type: Single Contact (BA5S)                  Color / Finish: Clear                  Length: 28mm                  Width: 10mm</p>	12V type	MAB-T09-S-012-05
	24V type	MAB-T09-S-024-05
	110V type	MAB-T09-S-130-05
	220V type	MAB-T09-S-240-05
	Model no.	