

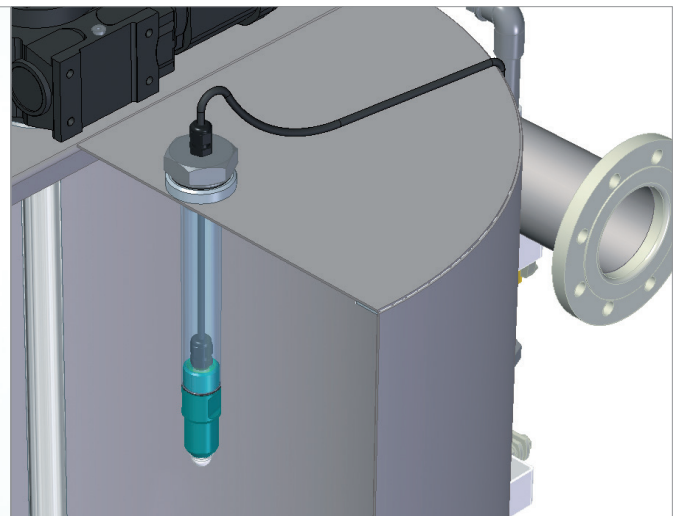
TN-28

TUBULAR EXTENDER

Accessories for RFLS-28
high-frequency level sensors



CE



- The tubular extender is used for vertical mounting of the RFLS-28 sensor in tanks, vessels and sumps
- Choice from three types of process connection: flange, G1" thread or Tri-Clamp



flange

G1" thread

Tri-Clamp

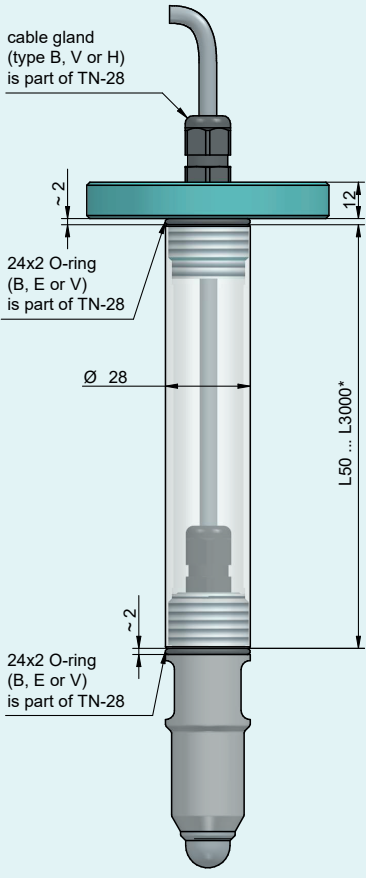
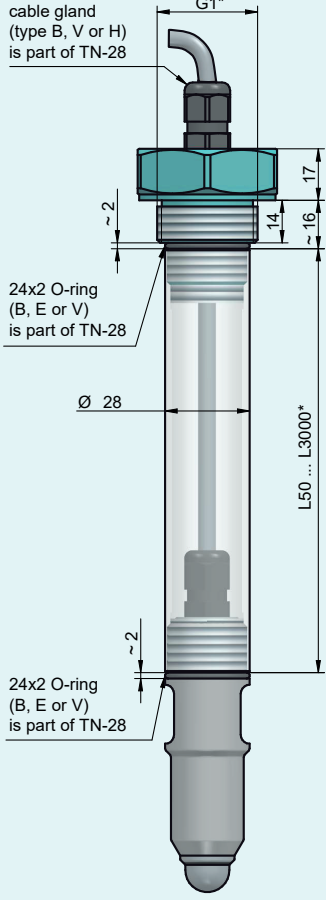
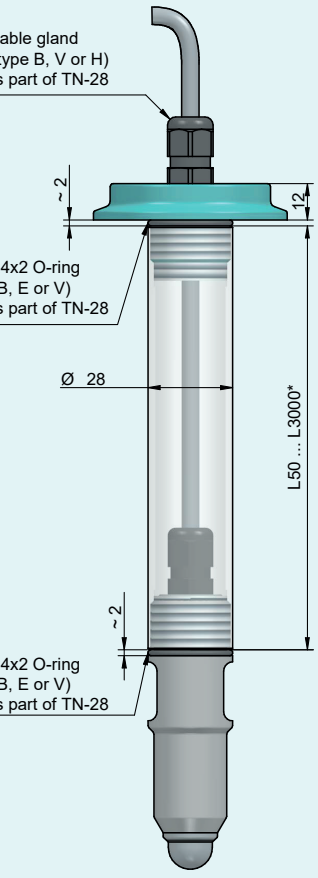
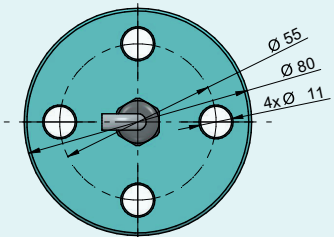
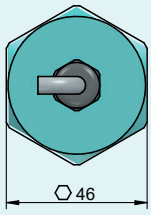
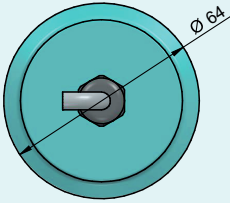
Standard material performance		
Tube 28 x 2.5	stainless steel W. No. 1.4404 (AISI 316 L)	
Process connection	Flange mounting	stainless steel W. No. 1.4301 (AISI 304)*
	G1" thread	stainless steel W. No. 1.4301 (AISI 304)*
	Tri-Clamp	stainless steel W. No. 1.4404 (AISI 316 L)
Seal under flange / threaded mounting	AFM 38	
O-ring	NBR / EPDM / FPM	
Cable gland	PA / NBR plastics	
Minimum tubular extender length	50 mm	
Maximal tubular extender length	3000 mm**	

* By agreement, it is possible to choose stainless steel W. No. 1.4404 (AISI 316 L).

** If there is a stirrer in the tank, it is necessary to consult the length of the tubular extender with the manufacturer.



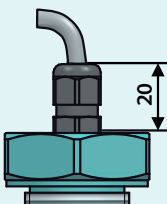
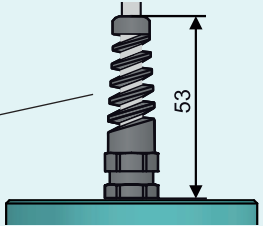
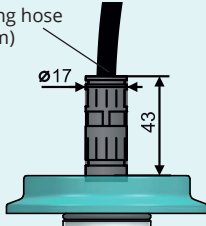
PROCESS CONNECTION OF TUBULAR EXTENDER

TN-28-P (flange)	TN-28-Z (G1" thread)	TN-28-CI (Tri-Clamp)
 <p>cable gland (type B, V or H) is part of TN-28</p> <p>24x2 O-ring (B, E or V) is part of TN-28</p> <p>Ø 28</p> <p>L50 ... L3000*</p> <p>24x2 O-ring (B, E or V) is part of TN-28</p>	 <p>cable gland (type B, V or H) is part of TN-28</p> <p>G1"</p> <p>24x2 O-ring (B, E or V) is part of TN-28</p> <p>Ø 28</p> <p>L50 ... L3000*</p> <p>24x2 O-ring (B, E or V) is part of TN-28</p>	 <p>cable gland (type B, V or H) is part of TN-28</p> <p>24x2 O-ring (B, E or V) is part of TN-28</p> <p>Ø 28</p> <p>L50 ... L3000*</p> <p>24x2 O-ring (B, E or V) is part of TN-28</p>
 <p>Ø 55</p> <p>Ø 80</p> <p>4x Ø 11</p>	 <p>Ø 46</p>	 <p>Ø 64</p>

* If there is a stirrer in the tank, it is necessary to consult the length of the tubular extender with the manufacturer.

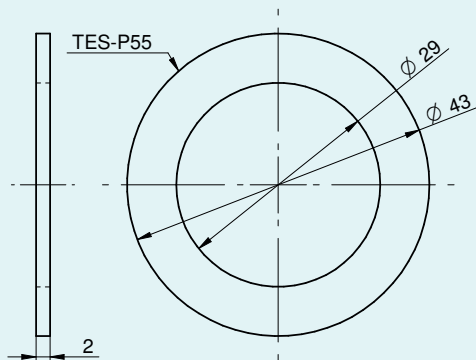
We also offer the option of flanges made-to-order.

TYPES OF CABLE GLANDS

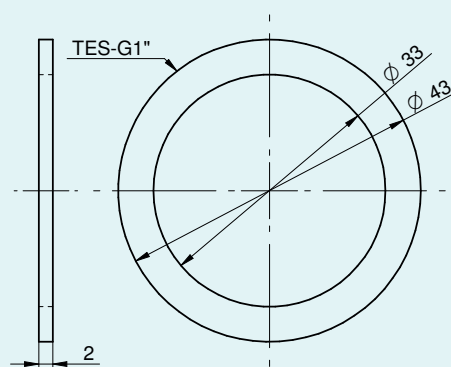
B	V	H
<p>with a standard cable gland</p>	<p>with a plastic cable gland with spiral relief – for cables under an increased mechanical stress</p>	<p>with a cable gland for protecting hoses – for use outdoors or in places with high humidity</p>
 <p>20</p>	 <p>Spiral relief</p> <p>53</p>	 <p>protecting hose (Ø 13 mm)</p> <p>Ø 17</p> <p>43</p>

SEAL

under flange



under threaded mounting



ORDER CODE

TN-28

PROCESS CONNECTION

- P** flange, 1 pc gasket AFM (included)
- Z** G1" thread, 1 pc gasket AFM (included)
- Cl** Tri-Clamp

O-RING

- B** NBR O-ring
- E** EPDM O-ring
- V** FPM O-ring

ELECTRICAL CONNECTION

- B** plastic cable gland
- V** cable gland with spiral
- H** cable gland for protecting hose

TUBE LENGTH

- L** length in mm

TN-28 - P - B - B - L300

EXAMPLE OF CODING

ООО "РусАвтоматизация"

454010 г. Челябинск, ул. Гагарина 5, оф. 507

тел. 8-800-775-09-57 (звонок бесплатный), +7(351)799-54-26, тел./факс +7(351)211-64-57

info@rusautomation.ru; rusавтоматизация.рф; www.rusautomation.ru