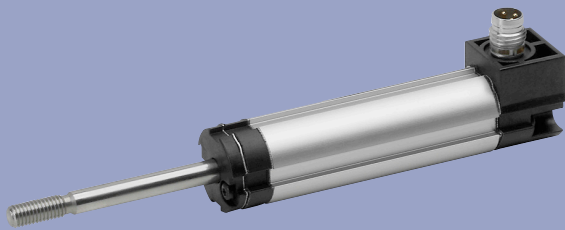


Position Transducer with actuating rod potentiometric up to 300 mm, IP54

Series TEX



Special features

- outstanding linearity up to $\pm 0.05\%$
- resolution better than 0.01 mm
- very long life - up to 100 million movements (application dependent)
- compact dimensions
- protection class IP54
- threaded shaft allows customer-defined mechanical interfaces
- cable or connector versions available
- for IP67 version, see TX2 data sheet

This cost effective transducer is characterized by its various mounting options and compact dimensions. Flexible mounting clamps or central mounting allow easy mounting under various conditions.

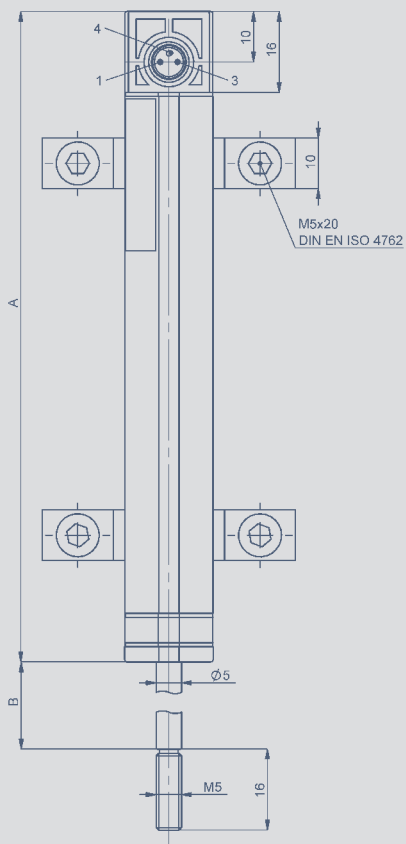
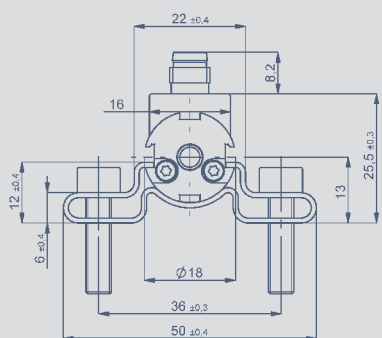
Typical applications are linear position measurements for process control and display, and the test lab environment.

The use of a ball coupling is recommended for a side load-free guidance.

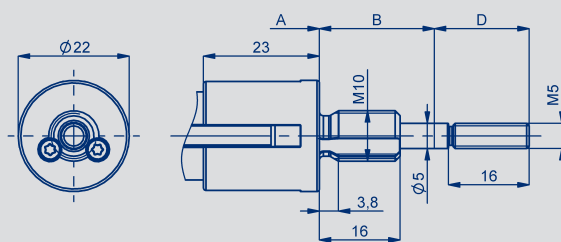
The electrical connection is provided by an M8 connector or a cable, which exits either radially or axially from the housing.

TEX transducers with return springs and pivot head mountings are shown on separate data sheets.

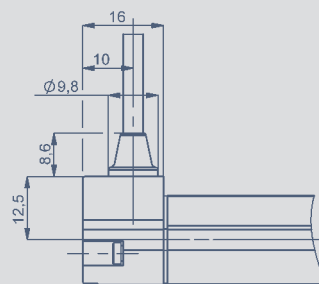
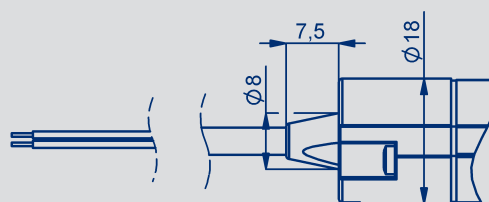
Description	
Housing	aluminium, anodized
Mounting	see drawing
Actuating rod	stainless steel (1.4305), rotatable, external thread M5
Bearings	sleeve bearing
Resistance element	conductive plastic
Wiper assembly	precious metal multi-finger wiper
Electrical connections	3-pin round connector M8x1 3-wire PUR-cable, 3x0.14 mm ² , shielded, 2 m or 5 m length



Central mounting style



Tightening torque max. 5 Nm



Type designations	TEX 0010	TEX 0025	TEX 0050	TEX 0075	TEX 0100	TEX 0125	TEX 0150	TEX 0175	TEX 0200	TEX 0250	TEX 0300	
Electrical Data												
Defined electrical range	10	25	50	75	100	125	150	175	200	250	300	mm
Electrical range	12	27	52	77	102	130	155	180	205	255	305	mm
Nominal resistance	1	1	2	3	4	5	6	7	8	10	12	kΩ
Resistance tolerance	20											±%
Independent linearity	0.25	0.2	0.1	0.1	0.1	0.05	0.05	0.05	0.05	0.05	0.05	±%
Repeatability	0.01											mm
Recommended operating wiper current	≤ 1											µA
Maximum wiper current (in case of malfunction)	10											mA
Maximum permissible applied voltage	42											V
Effective temperature coefficient of the output-to-applied voltage ratio	typical 5											ppm/K
Insulation resistance (500 DC)	≥ 10											MΩ
Dielectric strength (500 VAC, 50 Hz)	≤ 100											µA
Mechanical Data												
Body length (dimension A)	63	78	103	128	153	194	219	244	269	319	369	±2 mm
Mechanical stroke (dimension B)	14	29	54	79	104	132	157	182	207	257	307	±2 mm
Excess length (dimension D)	41	41	41	41	41	38	38					±2 mm
Weight approx. cable version TEX-_-_-_-41_-002-202	77	82	92	102	112	152	162	172	182	202	222	g
connector version TEX-_-_-_-41_-002-101	45	50	60	70	80	120	130	140	150	170	190	g
additional weight central mounting	10											g
Operating force horizontal	≤ 3.0 (at RT 20° C)											N
Environmental Data												
Temperature range	-40 ...+85											°C
Operating humidity range	0 ... 95 (no condensation)											% R.H.
Vibration	5...2000 Amax = 0.75 amax = 20 g											Hz mm g
Shock	50 6											g ms
Life	> 100 x 10 ⁶ typ.											movements
Operating speed	10											m/s max.
Protection class	IP54 DIN EN 60529											

Novotechnik
Messwertaufnehmer OHG
Postfach 4220
73745 Ostfildern (Ruit)
Horbstraße 12
73760 Ostfildern (Ruit)
Telefon +49 711 4489-0
Telefax +49 711 4489-118
info@novotechnik.de
www.novotechnik.de



© 02/2014
Subject to change.
Printed in Germany.

Mounting instructions

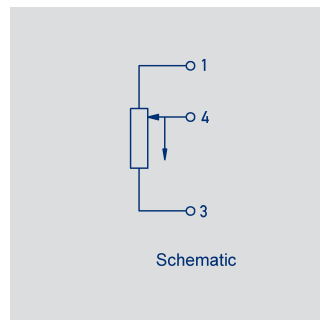
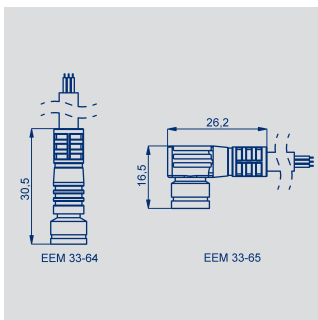
A ball coupling is recommended for backlash-free and side load-free operation to compensate parallel or angular errors between transducer axis and the direction of movement.

Important

All values specified in this data sheet for linearity, lifetime and temperature coefficient are only valid for a sensor used as a voltage divider with virtually no load applied to the wiper ($\leq 1 \mu\text{A}$).

Ordering specifications

Ordering specifications																		
<p>Electrical version 002: linearized (standard)</p> <p>Electrical connection 101: 3-pin round connector M8x1, radial output 202: NT standard cable 2 m, radial output 205: NT standard cable 5 m, radial output 302: NT standard cable 2 m, axial output 305: NT standard cable 5 m, axial output</p>																		
<p>Mechanical mounting 1: Fixing clamps 8: Central mounting M10 with collar - up to 0150 mm stroke</p> <p>Mechanical version actuating rod 1: Transducer with one-side actuating rod - M5 thread</p> <p>Protection class 4: one-side actuating rod</p> <p>Electrical defined range Standard lengths 0010 up to 300 mm</p>																		
<p>Series</p>																		
T	E	X	-	0	1	5	0	-	4	1	1	-	0	2	-	2	0	2



Output connector Code 101	Cable Code 202, 205 302, 305	Connector with cable EEM 33-64 / -66 / -68 / -65 / -67 / -69
PIN 1	BN brown	BN brown
PIN 4	WH white	BK black
PIN 3	GN green	BU blue

Optional accessories

Cable set - PUR cable with straight 3-pin mating connector - M8x1, 3x0.34 mm², IP67, unshielded
2 m length, EEM-33-64, P/N 005617
5 m length, EEM-33-66, P/N 005619
10 m length, EEM-33-68, P/N 005643.
Cable set - PUR cable with 90° angle 3-pin mating connector - M8x1, 3x0.34 mm², IP67, unshielded
2 m length, EEM-33-65, P/N 005618
5 m length, EEM-33-67, P/N 005620
10 m length, EEM-33-69, P/N 005644.
Other cable on request.
Ball coupling Z-301-M5/M5, P/N 058002
Pivot head Z-G01, P/N 056014.
MAP - process control measurement/display device
MUP/MUK signal conditioners ± 24 V supply, 0-10 V or 4-20 / 0-20 mA current outputs.

Included in delivery

Clamp mounting: 2 clamps
incl. 4 cylinder head screws M5x20.

