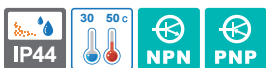
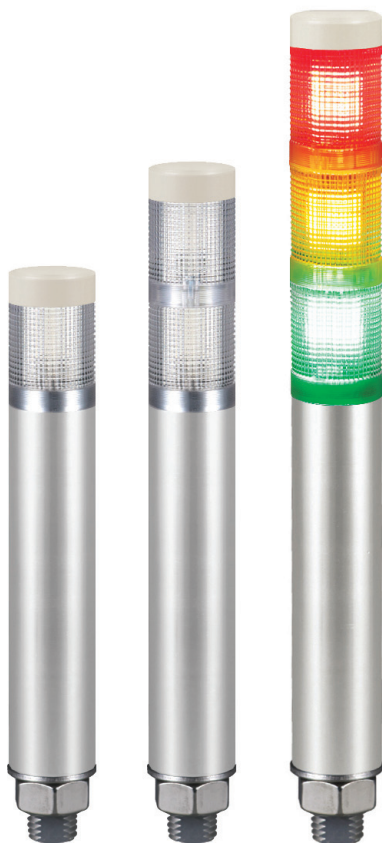


STA35SLM

Ø35mm Direct Mount LED Steady Tower Lights

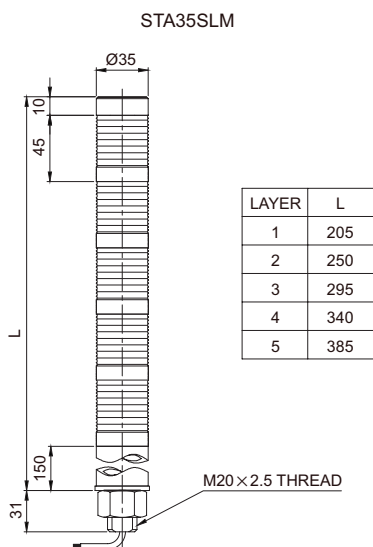


- Ø35mm direct mount tower lights
- Aesthetically pleasing design with aluminum housing
- Fixed layer designs provides superior durability
- Excellent visibility by using a high brightness LED with a special diffusion lens
- Lens maintains a semi-transparent color when not emitting the specific color of the signal under operation.
- Steady mode only (can operate flashing mode with external control) with fixed user selected color arrangement
- Easy mounting with the bolts/ screws located at the bottom of the product
- Materials : Lens-AS, Housing-AI
- Ambient operating temperature : -30°C to +50°C
- Protection rating : IP44



Specifications						
Model number	Layer	Voltage	Current	Certificates	Weight	Color
STA35SLM Steady	1	DC12V DC24V	0.160A 0.080A	-	2.85kg	• R-Red
	2	DC12V DC24V	0.320A 0.160A		3.04kg	• R-Red • G-Green
	3	DC12V DC24V	0.480A 0.240A		3.17kg	• R-Red • A-Amber • G-Green
	4	DC12V DC24V	0.640A 0.320A		3.43kg	• R-Red • A-Amber • G-Green • B-Blue
	5	DC12V DC24V	0.800A 0.400A		3.58kg	• R-Red • A-Amber • G-Green • B-Blue • W-White

Technical Diagram (Units : mm)



Wiring Instructions

- External power line and signal line standard : UL1007 AWG22(0.3sq) 400mm
- ※ Please refer to page 248 for detailed wiring instructions.

Customization

- Wall mount bracket options : Used for mounting on the vertical surface



Wall Mount Bracket
STAWB25

Ordering Specification

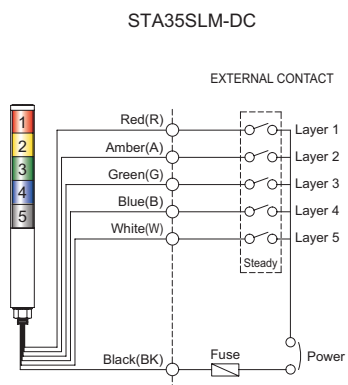
STA35SLM	-	3	-	220	-	RAG
[Model number]		[Layer]		[Voltage]		[Color]
• STA35SLM		• 1-1Layer • 2-2Layers • 3-3Layers • 4-4Layers • 5-5Layers		• 12-DC12V • 24-DC24V		• R-Red • A-Amber • G-Green • B-Blue • W-White



Wiring Instructions

- STA35SLM can be wired by using both external contact and transistor.
- In case of wiring by transistor, please make sure if it is NPN type or PNP type. Please carefully follow wiring instructions below.

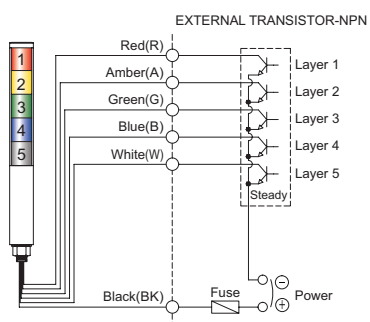
External Contact



Transistor

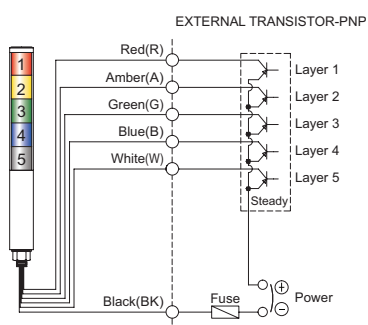
NPN-Transistor

STA35SLM-DC



PNP-Transistor

STA35SLM-DC



Wiring Instructions

- External power line and signal line standard :
UL1007 AWG22(0.3sq) 400mm

Transistor Rating

Type	NPN or PNP
Withstanding voltage	$V_c \geq 35V$
Current	$I_c \geq 300mA$
Leakage current	$0.1mA \geq I_L$

ООО "РусАвтоматизация"

454010 г. Челябинск, ул. Гагарина 5, оф. 507
 тел. 8-800-775-09-57 (звонок бесплатный), +7(351)799-54-26, тел./факс +7(351)211-64-57
info@rusautomation.ru; rusautomation.ru; www.rusautomation.ru