


DIN rail mounting type switching mode power supply

■ Features

- Compact size, high quality, cost-effective
- Universal input power
- Enables to drive various controllers
- Built-in overcurrent protection circuit
- DIN rail mounting and mountable without the rail

 Please read "Caution for your safety" in operation manual before using.



■ Ordering information

SP	—	03	24	
Item	—	Output power	03	3W
			Output voltage	05
			12	12VDC
			24	24VDC
			SP	Switching Mode Power Supply

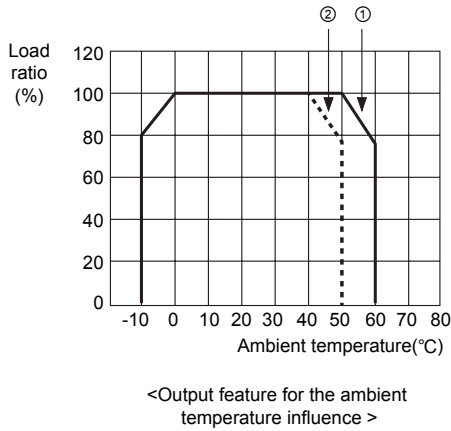
■ Specifications

Model	SP-0305	SP-0312	SP-0324	
Output power	3W			
Input	Power supply	100-240VAC(85-264VAC)		
	Frequency	50/60Hz		
	Current consumption	Max. 0.15A		
	Efficiency	67 to 74%		
Output	Voltage	5VDC	12VDC	24VDC
	Current	0.6A	0.25A	0.13A
	Allowable voltage range	Max. ±5%		
	Ripple	Max. 5%		
	Voltage fluctuation ratio	Max. 0.5%(at 85-264VAC 100% Load)		
	Overcurrent protection	Min. 110%		
Series / Parallel operation	Not available			
Output indicator	Red LED			
Insulation resistance	100MΩ(at 500VDC megger)			
Dielectric strength	2000VAC 50/60Hz for 1 minute			
Vibration	0.75mm amplitude at frequency of 10 to 55Hz(for 1 min.) in each of X, Y, Z directions for 2 hours			
Shock	300m/s ² (approx. 30G) in each of X, Y, Z directions for 3 times			
Environment	Ambient temperature	-10 to 50°C, storage : -20 to 70°C		
	Ambient humidity	35 to 85%RH		
Unit weight	Approx. 100g			

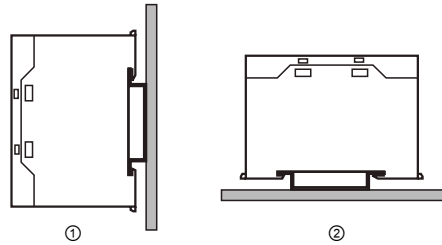
※Environment resistance is rated at no freezing of condensation.

DIN rail Mounting Type Switching Mode Power Supply

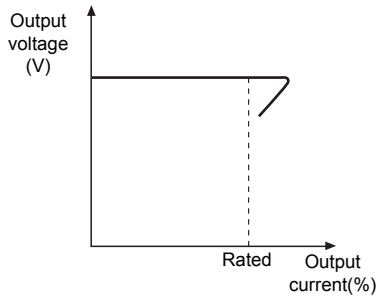
Output feature data



- Be sure when installing as the efficiency is decreased by ambient temperature.
- Refer to output feature beside when installing as the efficiency is affected by mounting status.

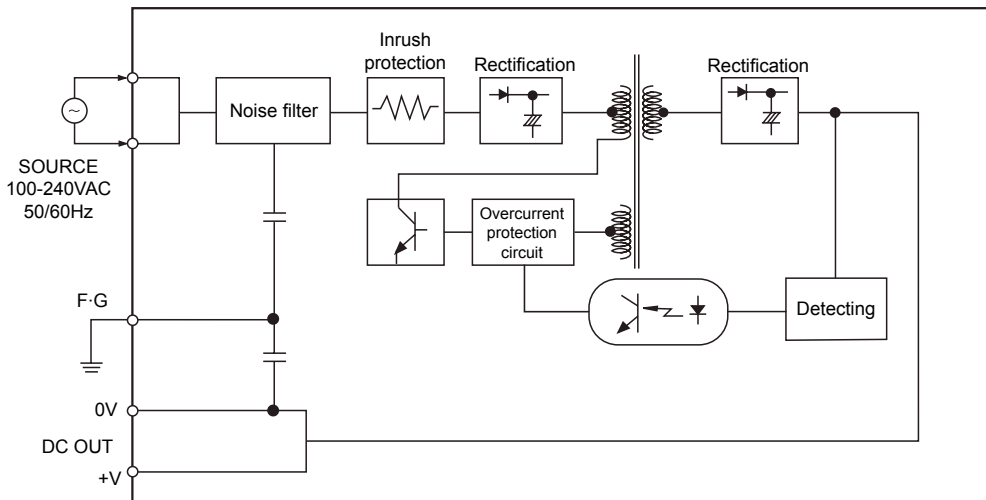


Feature data of overcurrent protection



- It is able to protect overcurrent by load with built in overcurrent protection circuit. When the over rated current is flowed, the circuit is operated(output voltage is fallen) and it is released when the load current is under the rated current(it is returned to the rated output voltage).

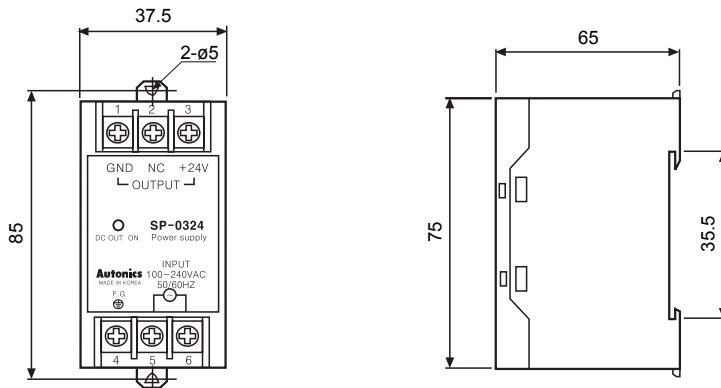
Block diagram



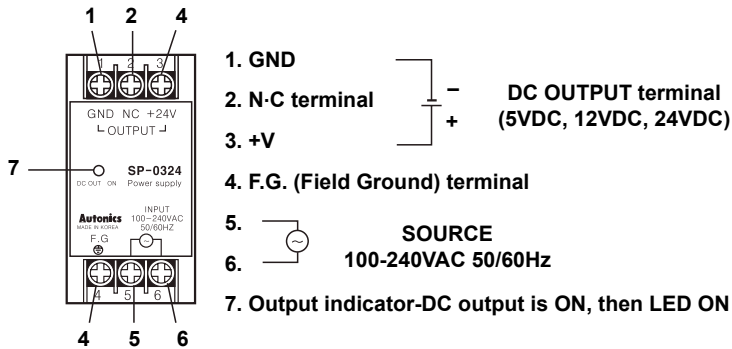
SP Series

■ Dimensions

(unit: mm)



■ Front part identification

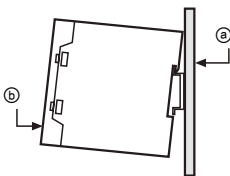


■ Rail mounting method

◎ Mounting on DIN rail and removing

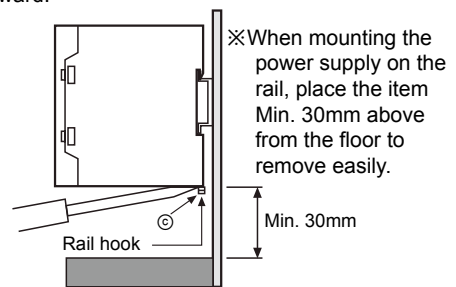
● To mount the power supply on DIN rail

First put the power supply on the part ① of the rail and then press it for the direction ②.



● To remove the power supply from DIN rail

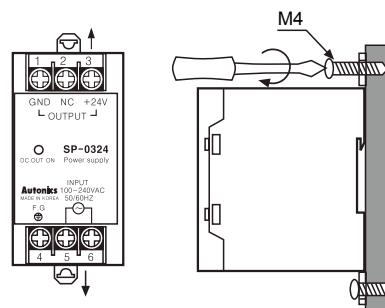
Firstly put a screw driver into the part ③ and push it downward.



◎ Mounting on Panel

● When there is no DIN rail,

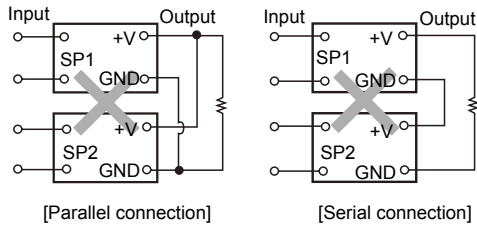
If there is no rail, it is able to mount by screwing a bolt at the hook on the body as following figure.



DIN rail Mounting Type Switching Mode Power Supply

■ Proper usage

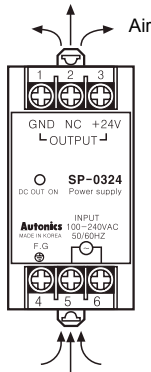
◎ Serial and parallel operation



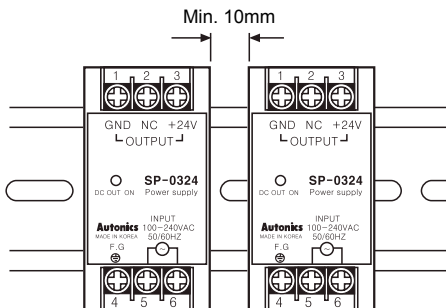
✘ The power supply should not be used in serial and parallel connection in any case. Please use it individually always.

◎ Caution for mounting

• Please install it at ventilating place in order to dissipate the heat effectively then it is able to improve the reliability for a long time.



• When installing two or more power supplies side by side, please keep the interval at least 10mm so that the heat is dissipated effectively.



◎ Caution for using

- Please wire input power(AC) to the input power terminal properly. If wiring it to other terminal the inner circuit will be broken.
- It is working with 2000VAC between the terminal and case for a minute, but it will be broken if the overvoltage is supplied for several minutes.
- The power supply has 100MΩ of insulation resistance between the terminal and case. Please use a D.C insulation tester with 500VDC for the insulation resistance of the power supply.
- Please check as below when problem is happened.
 - ① Short of DC output terminal.
(When overcurrent is supplied the overcurrent protection circuit is operated and when the load current is under the rated current it is stopped.)
 - ② Wiring of AC input and DC output terminal properly.
 - ③ AC input voltage in rated voltage.