

SMCL80 / SMCL100 / SMCL125

OPERATING MANUAL

Multiple Colors LED Steady/Flashing Light

Thank you for purchasing QLight product. Please read this manual carefully before installing this product for safe and long use.

1 Product Feature

- Economic product which can transmit 2~3 colors of signal with only one signal light.
- Having long life of light source by taking high-brightness LED and suitable for machines having lots of vibration and impact.
- Excellent in diffusing effect by employing our unique direct-diffusion system.
- Material : Lens-AS, Body-ABS, Reflector-thermostable ABS
- Flashes(Flashing Type) : 60-80/Min.
- Protection Class : IP44

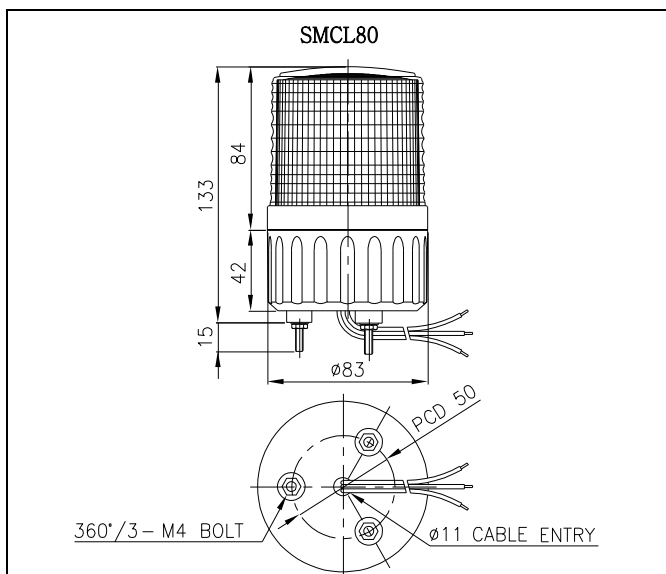
2 Specification & External View Drawing

1) SMCL80

▪ General Specification

Model	Rated Voltage	Current	Weight	Color (2,3 colors)
SMCL80	DC12V	0.234A	0.18Kg	RED-R GREEN-G
	DC24V	0.132A	0.18Kg	
	AC110V	0.066A	0.28Kg	RED-R AMBER-A GREEN-G
	AC220V	0.033A	0.28Kg	

▪ External View Drawing

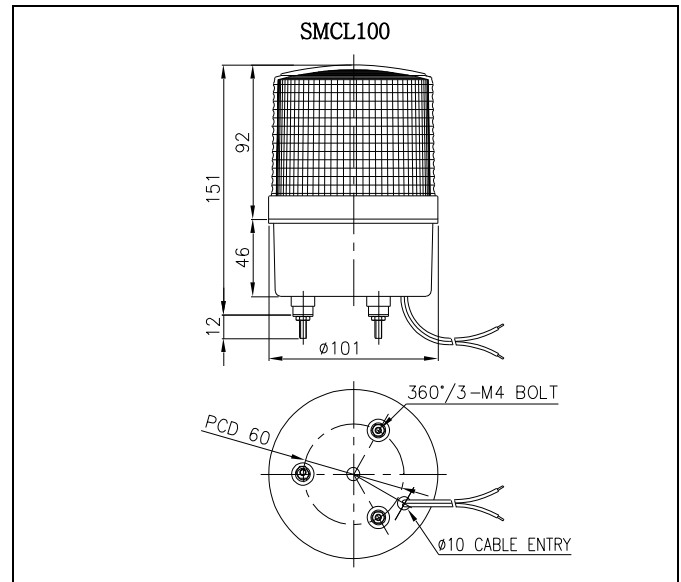


2) SMCL100

▪ General Specification

Model	Rated Voltage	Current	Weight	Color (2,3 colors)
SMCL100	DC12V	0.387A	0.23Kg	RED-R GREEN-G
	DC24V	0.212A	0.23Kg	
	AC110V	0.093A	0.32Kg	RED-R AMBER-A GREEN-G
	AC220V	0.046A	0.32Kg	

▪ External View Drawing

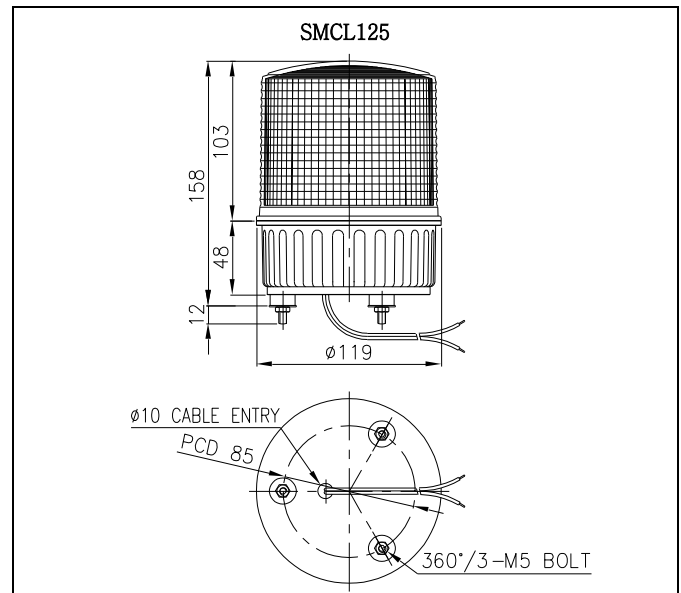


2) SMCL125

▪ General Specification

Model	Rated Voltage	Current	Weight	Color (2,3 colors)
SMCL125	DC12V	0.410A	0.27Kg	RED-R GREEN-G
	DC24V	0.227A	0.27Kg	
	AC110V	0.104A	0.36Kg	RED-R AMBER-A GREEN-G
	AC220V	0.052A	0.36Kg	

▪ External View Drawing



3 Wiring Instruction

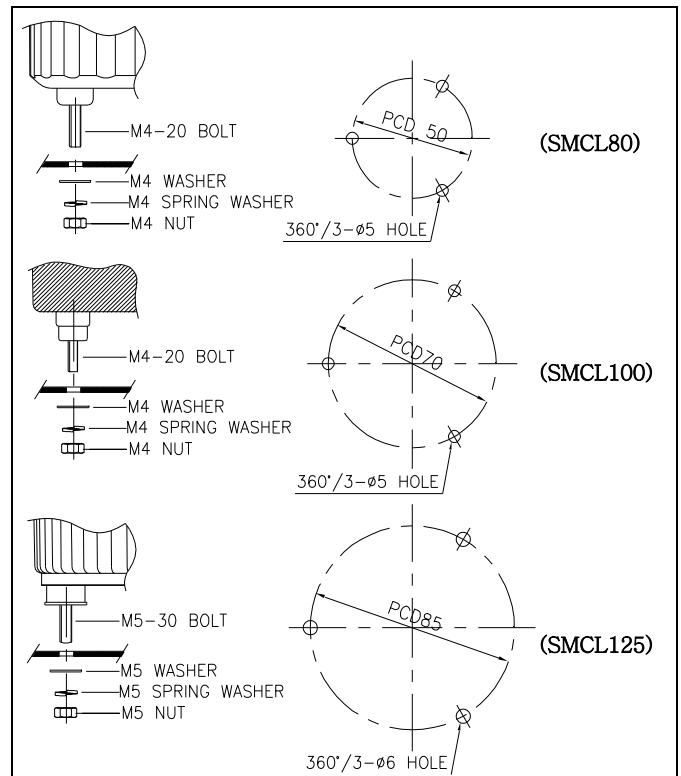
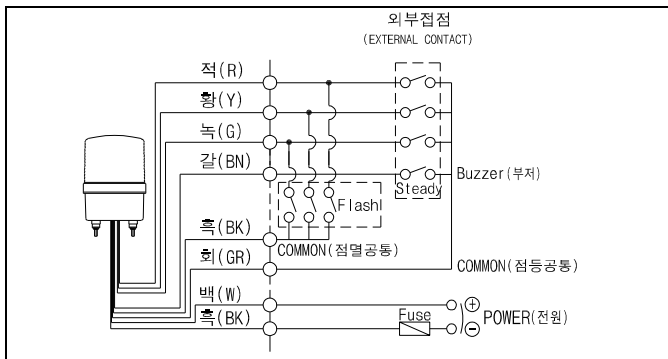
Power lines and signal lines come out from the product. Please connect them correctly after referring to below instruction.

- In case of product using AC voltage, connect the line without Polarity(wire color).
- In case of product using DC voltage, black line is negative(-).

▶ **Power line** : UL1015-NO.18(0.75sq) X2C 400mm

▶ **Signal line**: UL1007-NO.22(0.3sq) 400mm

▶ **SMCL80/ SMCL100/ SMCL125 Connection Diagram**



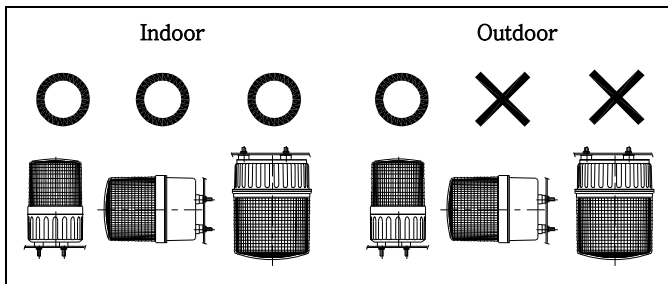
5 Caution

- If using voltage is seriously higher or lower than rated voltage, it can reduce the self-life of the product or can cause a problem on product operating. Make sure the using voltage does not exceed +/-5% of the rated voltage.
- If lens or body of the product is contaminated by chemicals such as thinner, benzene, the product can be damaged, discolored or deformed. Please be careful.
- Do not give strong impact to the product. It can be a reason of wire disconnection or short circuit.
- Do not strongly pull the wire out from the product. It can cause a disorder.

6 Trouble shooting

Situation	Main reason	Solution
Non- Lighting Partly	LED is partly damaged, supplying higher voltage than rated voltage.	Making Sure Using Voltage
Feeble Lighting	Supplying Voltage Lower Than Rated Voltage	Making Sure Using Voltage
Lighting but Non-Flashing	Wrong Wiring	Making Sure Wiring
Neither Lighting nor Flashing	Wrong Wiring	Making Sure Wiring

4 Mounting



- This product was manufactured with the structure for indoor use.

Installing in any direction is okay for indoor use.

- Outdoor use is limited at a place where no water or very little water percolates. Mounting also should be done only on the vertical standing direction.
- Mount at the place where exists low vibration, low impact, low moisture and low dust as long as possible.
- Please make a hole by a drill where you need to attach our product and refer to below picture for a hole size.
- **SMCL80/ SMCL100** : Fix the product by using nuts(M4-3EA) originally equipped on mounting bolt on bottom of the product.
- **SMCL125** : Fix the product by using nuts(M5-3EA) originally equipped on mounting bolt on bottom of the product.