



Installation Instructions  
Airflow monitor analogue

**SL520x**

**UK**



# Contents

1 Safety instructions .....	2
2 Function and features .....	2
3 Function .....	3
4 Mounting .....	4
4.1 Insertion depth .....	4
4.2 Alignment .....	4
4.3 Installation distances .....	5
5 Electrical connection .....	5
6 Operation .....	5

## 1 Safety instructions

- Read this document before setting up the product and keep it during the entire service life.
- The product must be suitable for the corresponding applications and environmental conditions without any restrictions.
- Only use the product for its intended purpose (→ 2 Function and features).
- If the operating instructions or the technical data are not adhered to, personal injury and/or damage to property may occur.
- The manufacturer assumes no liability or warranty for any consequences caused by tampering with the product or incorrect use by the operator.
- Installation, electrical connection, set-up, operation and maintenance of the unit must be carried out by qualified personnel authorised by the machine operator.
- Protect units and cables against damage.

## 2 Function and features

The airflow monitor monitors the flow velocity of airflows.

### 3 Function

The unit provides an analogue signal that is proportional to the flow velocity. Within the measuring range the analogue signal is 1...10 V.

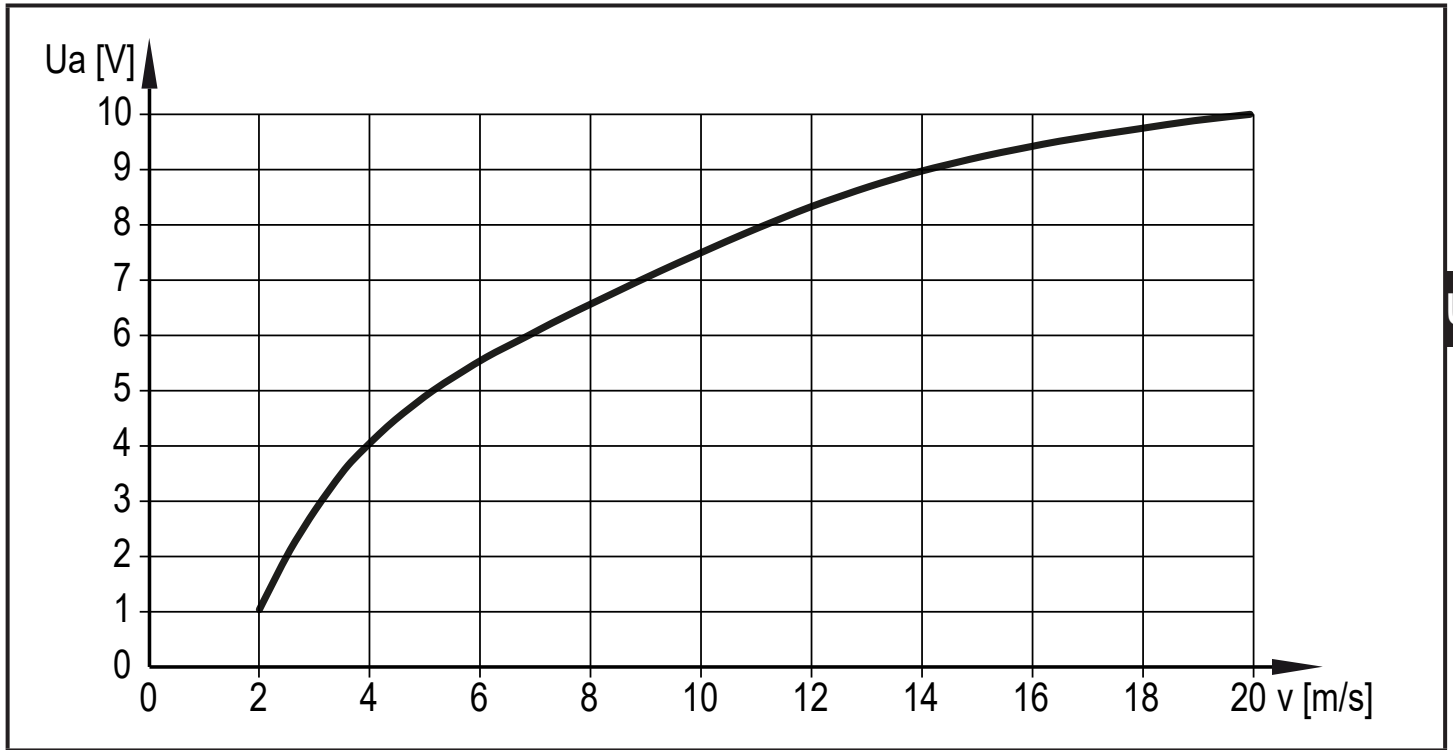


Figure 1: Characteristics of the analogue output of SL5201, SL5202

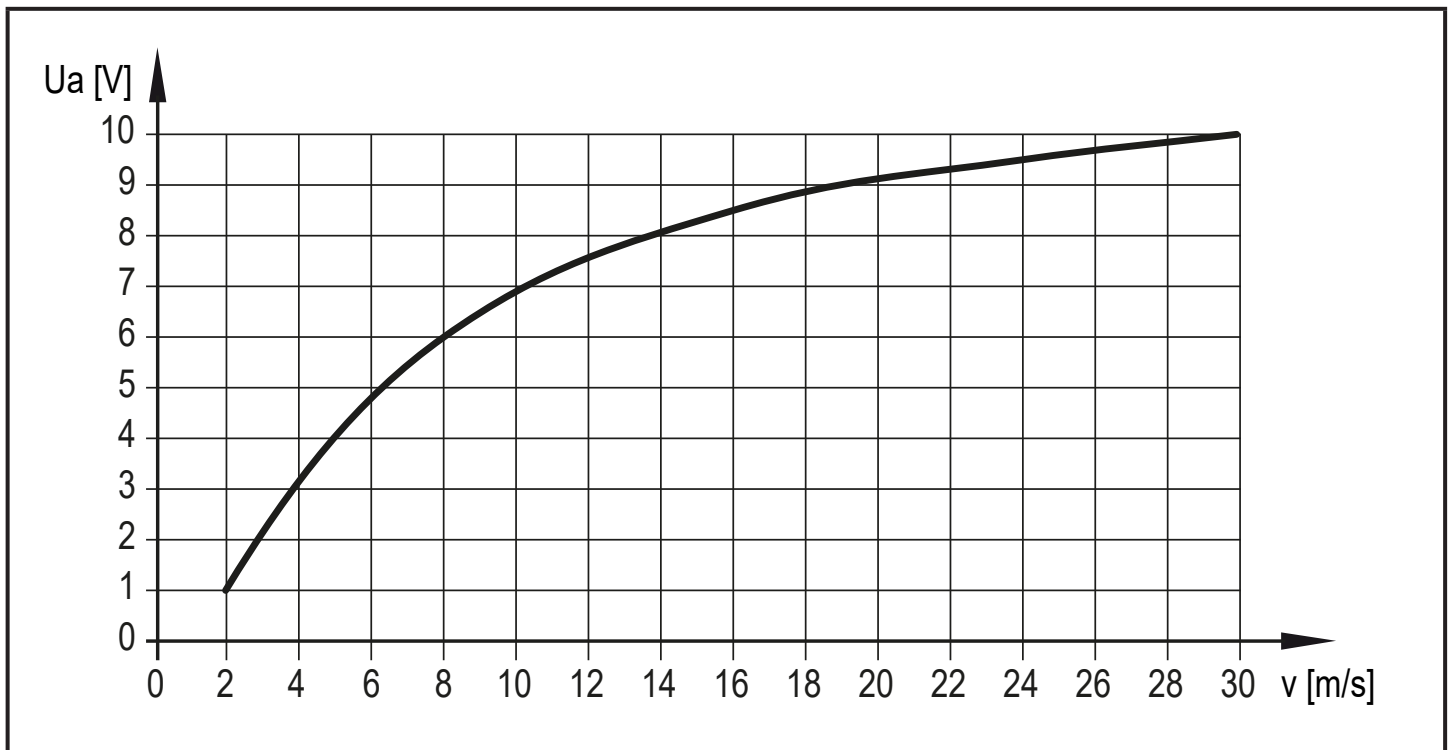


Figure 2: Characteristics of the analogue output of SL5204

Reference conditions:

4" pipe, 1.5 m inlet pipe length, 20 °C medium temperature, insertion depth → 4.1.

## 4 Mounting

- ▶ Mount the airflow monitor by means of the mounting clamp provided.  
Diameter of the mounting hole for the unit: 24 mm.
- ▶ If mounting is to be airtight, use the gaskets provided.

### 4.1 Insertion depth

The insertion depth depends on the diameter / side length of the pipe:

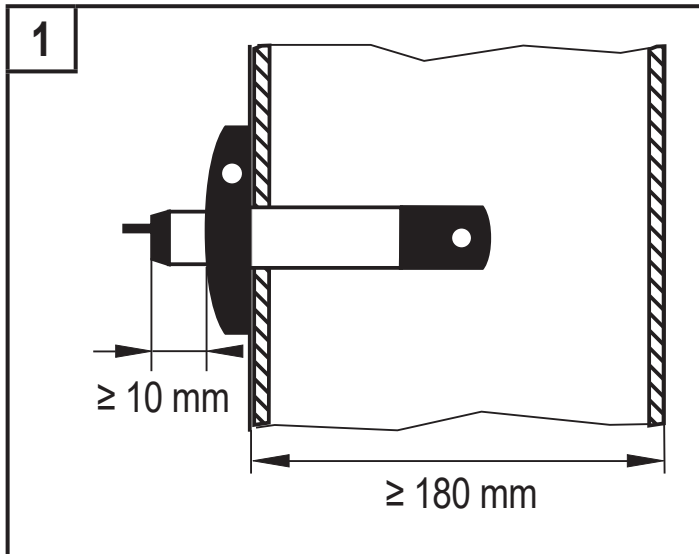


Figure 1: Maximum installation depth  
Pipe diameter or side length  $\geq 180$  mm.

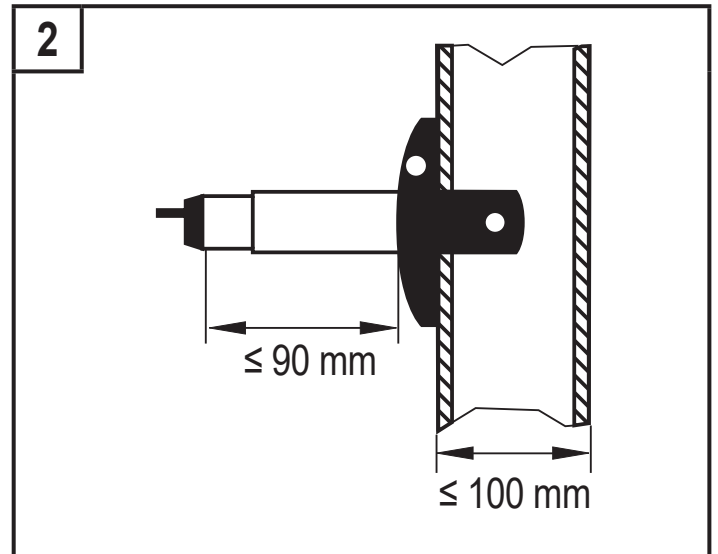
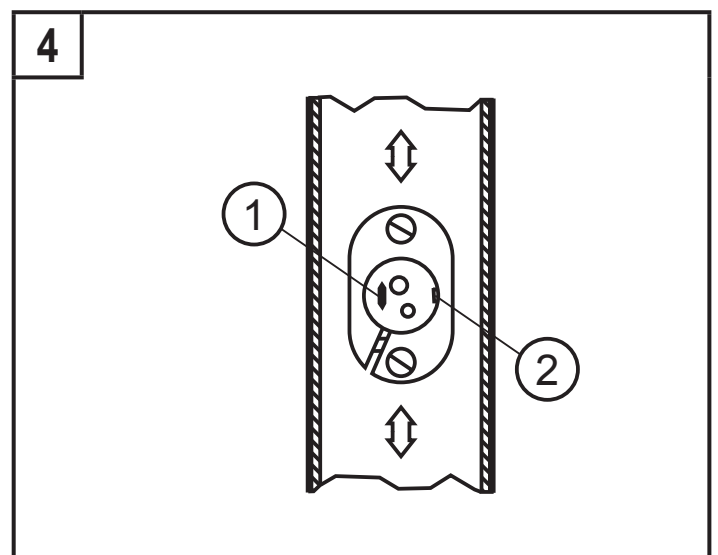
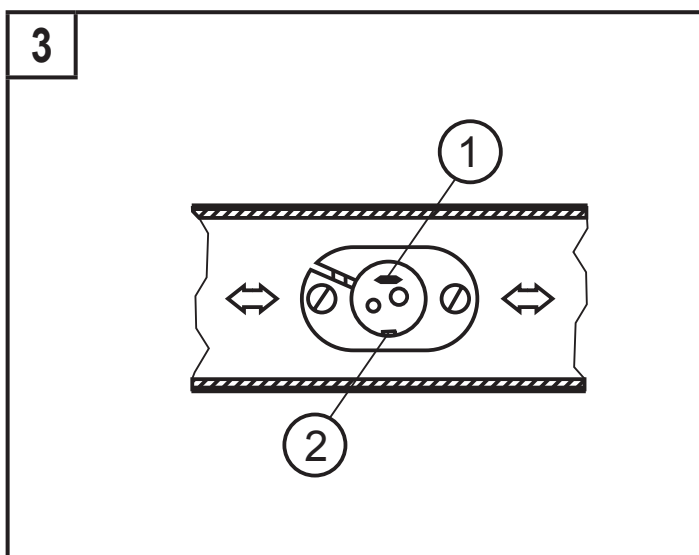


Figure 2: Minimum installation depth  
Pipe diameter or side length  $\leq 100$  mm.

### 4.2 Alignment

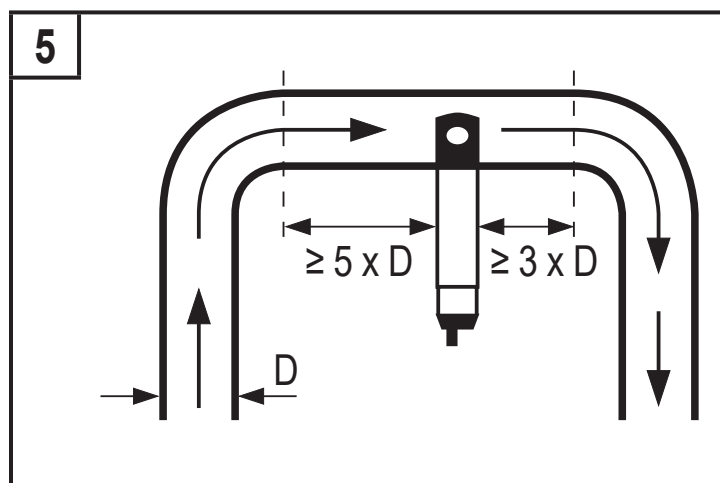
- ▶ Align the unit in the airflow: The arrow (1) on the cap must point in the direction of flow (fig. 3 and 4).
- ▶ Horizontal installation (fig. 3): Arrow (1) must be on top.



1: Arrow; 2: LED

## 4.3 Installation distances

To avoid malfunction a minimum distance between the air flow monitor and bends, valves or such like must be observed.



## 5 Electrical connection



The unit must only be connected by an electrician.

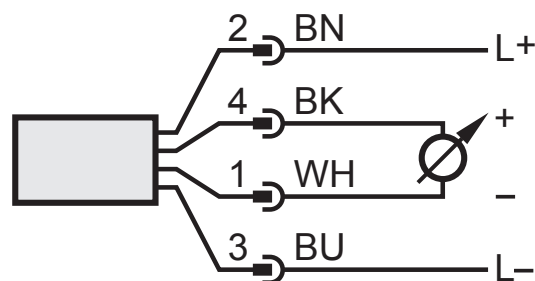
The national and international regulations for the installation of electrical equipment must be observed.

Voltage supply for units up to 60 V to EN50178, SELV, PELV.

- ▶ Disconnect power.
- ▶ Connect the unit as follows:

BK: black  
BN: brown  
BU: blue  
WH: white

Colours to DIN EN 60947-5-2



## 6 Operation

- ▶ Check the safe functioning of the unit.

The green LED lights when the supply voltage has been applied.

The unit is ready for operation approx. 90s after application of the supply voltage.