

SKTL series

Cubic LED Warning Lights for Vehicles



SKTL



SKTLB



Common Specifications(SKTL/ SKTLB)

- High brightness LED with special light filter structure provides clear signal light transmission even in outdoor environments with intense sunlight
- Excellent vibration and impact resistance with use of polycarbonate lens
- Lens with special coating material maintains transparency even when exposed to harsh environments where scratches, dust and direct sunlight is possible
- Water resistant, dustproof, and weather resistant structure provides excellent durability under harsh environments such as rainstorms, frost, and intense heat
- Different lights from side to side improve efficiency of emergency signal transmission effect (SKTLM/ SKTLBM)
- 4 strong magnets enable secure attachment to the desired place(SKTLM/ SKTLBM)
- Convenient emergency signal sound control with built-in ON/OFF switch(SKTLBM)
- Materials : Lens, Housing-PC
- Ambient operating temperature : -30°C to +50°C
- Protection rating : IP66



SKTL Cube-Shaped LED Warning Light, Direct Mount

- Flashing rate : 60-80 flashes/min

Model number	Voltage	Current	Certificates	Weight	Color
SKTL	DC12V	0.880A	CE DC24V only	0.35kg	<ul style="list-style-type: none"> • R-Red • A-Amber • G-Green • B-Blue • W-White
	DC24V	0.385A		0.35kg	



SKTLB Cube-Shaped LED Warning Light with Built-in Siren Buzzer, Direct Mount

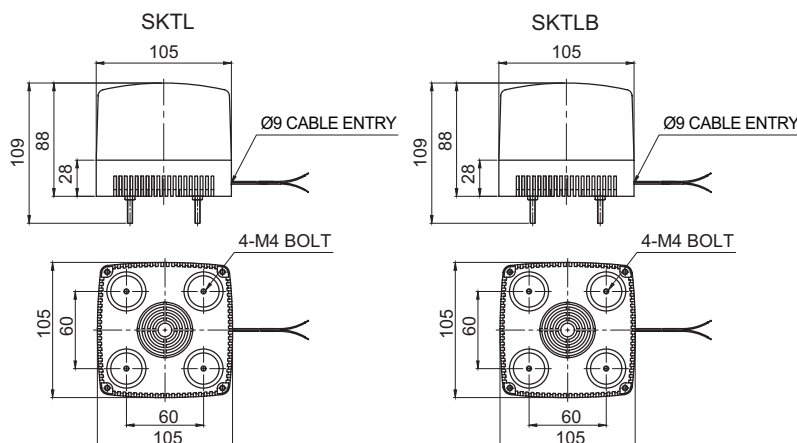
- Sound volume : Max 105dB at 1m

Model number	Voltage	Current	Certificates	Weight	Volume	Color
SKTLB	DC12V	1.125A	CE DC24V only	0.45kg	Max 105dB	<ul style="list-style-type: none"> • R-Red • A-Amber • G-Green • B-Blue • W-White
	DC24V	0.560A		0.45kg		



Technical Diagram

(Units : mm)



Wiring Instructions

- SKTL-External power line standard : UL1015 AWG18(0.75sq)×2C 400mm
- SKTLB-External power line standard : UL2464 AWG18(0.75sq)×2C 400mm
- DC Type : Black output lines is negative(-)



Ordering Specification

SKTL	-	24	-	R/B
[Model number]		[Voltage]		[Color]
<ul style="list-style-type: none"> • SKTL • SKTLB 		<ul style="list-style-type: none"> • 12-DC12V • 24-DC24V 		<ul style="list-style-type: none"> • R-Red • A-Amber • G-Green • B-Blue • W-White

ООО "РусАвтоматизация"

454010 г. Челябинск, ул. Гагарина 5, оф. 507

тел. 8-800-775-09-57 (звонок бесплатный), +7(351)799-54-26, тел./факс +7(351)211-64-57

info@rusautomation.ru; rusavtomatizacija.pф; www.rusautomation.ru