

OPERATING MANUAL

SHDLR / SHD2LR

OPERATING MANUAL

Heavy Duty LED Revolving Warning Light with Phone

Thank you for purchasing Q.Light product.
Please read this manual carefully before installing this system for safe and long use of the product.

1 Product Feature

- Aluminum housing product with long shelf-life of light source by employing high-brightness LED.
- Excellent in diffusing signal light by employing unique direct-diffusion system.
- Material : Lens-PC, Protection Cage(Optional)-SUS316L
Body-DIECAST AL, Horn Housing-SUS316L,
- RPM : 120-140/Min.(Controllable) ▪ Protection Class : IP56
- Volume : SHDLR 113-118dB(1m), SHD2LR 113-118dB x 2(1m)

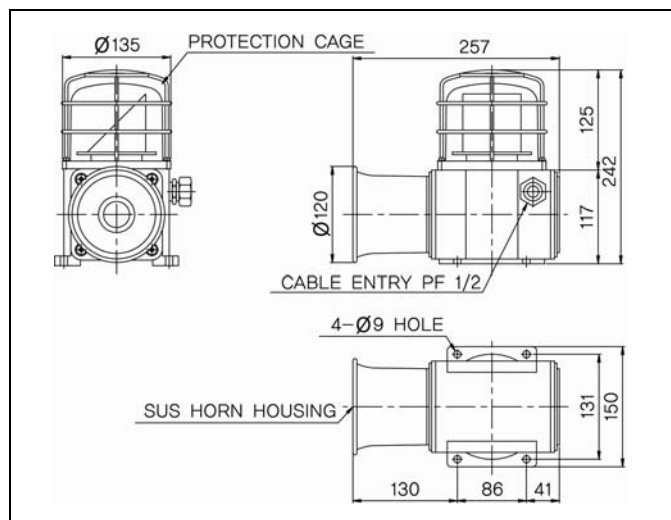
2 Specification & External View Drawing

1) SHDLR

Product Specification

Model	Rated Voltage	Current	Weight	RPM	Color
SHDLR	DC12V	1.295A	3.21Kg	120-140/Min.	Red-R Amber-A Green-G Blue-B
	DC24V	1.052A	3.21Kg		
	AC110V	0.233A	3.91Kg		
	AC220V	0.111A	3.91Kg		

External View Drawing

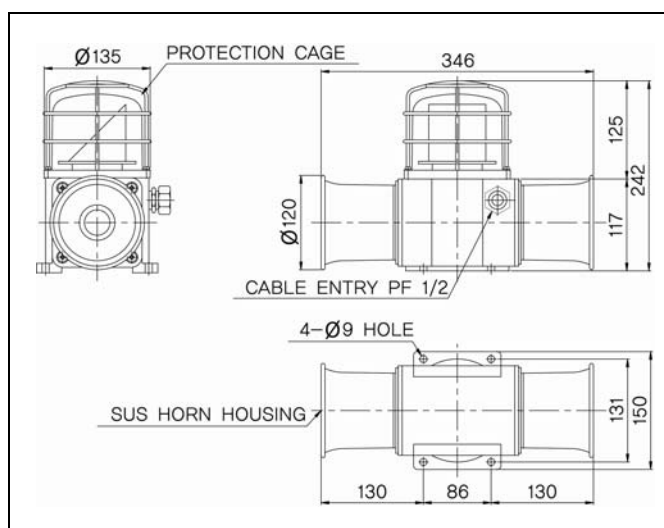


2) SHD2LR

Product Specification

Model	Rated Voltage	Current	Weight	RPM	Color
SHD2LR	DC12V	2.365A	4.26Kg	120-140/Min.	Red-R Amber-A Green-G Blue-B
	DC24V	1.982A	4.26Kg		
	AC110V	0.409A	4.97Kg		
	AC220V	0.194A	4.97Kg		

External View Drawing

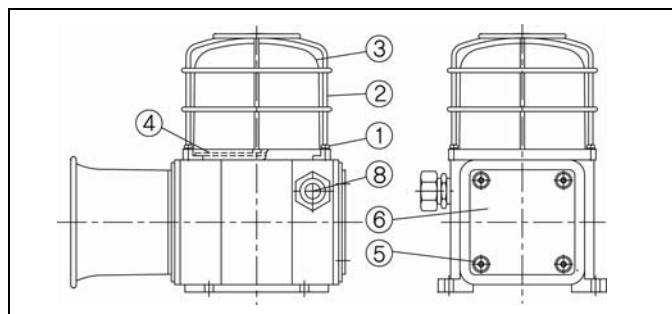


3 Sound Tone Specification

Type	Main Built-in Sound	CH	Sound Tone	Volume
WS	5 Warning Sounds	ch1	Fire A-ANG(Wail)	118dB (SHDLR) 118dB x 2 (SHD2LR)
		ch2	Emergency WA-U(Yelp)	
		ch3	Ambulance PI-PO(High-Low)	
		ch4	Machinery Fault(PI-PI-PI-)	
		ch5	Foam Release Alarm (PI~Continuous)	
WP	5 Special Warning Sounds	ch1	Fire A-ANG(Wail)	118dB (SHDLR) 118dB x 2 (SHD2LR)
		ch2	Abandon Alarm	
		ch3	Machinery Fault(PI-PI-PI-)	
		ch4	Foam Release Alarm (PI~Continuous)	
		ch5	General Alarm (Long PI~+ 7 Short PI.)	
WM	5 Melodies	ch1	Sweet Home	118dB (SHDLR) 118dB x 2 (SHD2LR)
		ch2	For Elise	
		ch3	Cuckoo's Waltz	
		ch4	Piano Sonata	
		ch5	Turkish March	
WA	5 Alarms	ch1	Beep(Intermittent)	116dB (SHDLR) 116dB x 2 (SHD2LR)
		ch2	Door Chime	
		ch3	Phone Ring	
		ch4	Machinery Fault(PI PI PI PI.)	
		ch5	Tripping Bead Sound	
WV	3 Voice Signals	ch1	Reproduction of Voice Recording 3 Channels	113dB (SHDLR)
		ch2		113dB x 2 (SHD2LR)
		ch3		

OPERATING MANUAL

4 Structure Drawing



5 Revolving Speed Control

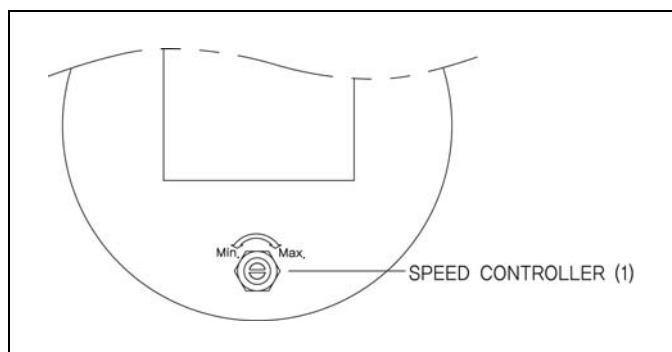
This product has a volume(1) for controlling revolving speed on assembling board. Refer to above structure drawing together with below drawing and explanation for right operating.

1) Lens(Protection Cage) Removal

Remove Protection Cage② and Lens③ from the product by loosening bolt(M4-4EA)① and make sure assembling board④.

2) Revolving Speed Control

- The volume(1) for revolving speed control is built-in this product. Turn it clockwise for increasing revolving speed and turn it counterclockwise for decreasing revolving speed.
- If give excess power to the volume, it can be broken. Be careful !



3) Lens(Protection Cage) Assembling

Assemble the lens(or Lens and Protection Cage) in reverse order of separating.

6 Sound Tone Selection, Volume Control, Wiring

Refer to structure drawing together with below drawing and explanation for right operating.

1) Body Cover Removal

- Remove body cover⑥ by loosening body cover bolt(M5 4EA)⑤

and make sure related parts on phone control board.

2) Sound Tone Selection

- 5 Warning sound tones are built-in this product. In case of standard product, select preferable sound tone by using internal sound tone selection switch(S1).
- In case of LC Type(Custom-Made) product, refer to below explanation and drawing.

3) Volume(dB) Control

- Volume controller(S2) is built-in this product. Turn it clockwise for increasing volume or turn it counterclockwise for decreasing volume

4) Wiring Power Line

- Make sure terminal plate⑦ inside the body of the product.
- Treat the end of power cable by using "O" or "U" type terminal for safe wiring.
- Connect power cable to terminal plate.
- In case of product using AC voltage, connect the line without polarity(wire color).
- In case of product using DC voltage, black line is negative(-).

■ Wiring for LC(External Contact) Type – Custome Made

- In case of LC type which selets sound tone by external contact, power line and signal line come out. Connect each line as below.
- Power Line : UL1015-NO.16(1.25sq) x 2C 400mm
- Signal Line : UL1007-NO.22(0.3sq) 400mm
- In case of product using AC voltage, do not allow power supply either to common line or to signal line.



5) Treating Power Entry

- Keep the tightness of power entry⑧ by using water-proof connector(flexible connector #16 is supplied as a standard specification) or cable grand.
- Product can be damaged by water or dust if the cable entry is exposed outdoor without airtightening.

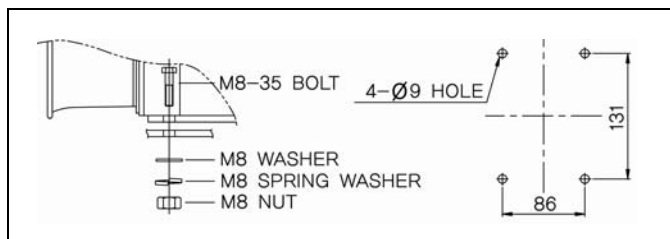
6) Body Cover Assembling

Assemble the body cover in reverse order of separating.

OPERATING MANUAL

7 Mounting

- This product is water-proof and anti-corrosion type for outdoor use. But, install with vertical direction at a place or machine where exists no big vibration and no strong impact as long as possible.
- Refer to below information and drill necessary mounting holes on profitable part of the product.
(Make sure PCD from external view drawing.)
- Fix the product by using mounting bolt(M8-4EA).



8 Caution

- This product is explosion-proof, water-proof and anti-corrosion type. When separate and assemble the product for wiring, repair or check, keep the airtightness of the product by tightening each bolt and nut.
- If using voltage is seriously higher or lower than rated voltage, it can reduce the self-life of the product or can cause a problem on product operating. Make sure the using voltage does not exceed +/- 5% of the rated voltage.
- If lens or body of the product is contaminated by chemicals such as thinner, benzene, the product can be damaged, discolored or deformed. Please be careful.
- Keep airtightness of cable entry by using water-proof cable gland or water-proof connector. Product can be damaged by water or dust if the cable entry is exposed outdoor without airtightening
- Do not give strong impact to the product. It can be a reason of part(s) damage or short circuit.
- Do not strongly pull the wire out from the product. It can cause a disorder.

9 Troubleshooting

Situation	Main Cause	Solution
Non- Lighting Partly	LED is Partly Damaged Supplying Higher Voltage than Rated Voltage	Making Sure Using Voltage
Feeble Lighting Low Revolving Speed	Supplying Voltage Lower Than Rated Voltage	Making Sure Using Voltage
	Wrong Selecting Voltage Select on Switch to 220V (In Case of AC Type)	Selecting Voltage Selection Switch to 110V
Double Sound Tone	Short Circuit of Sound Tone Signal Line	Making Sure Wiring
	Problem with Sound Tone Selection Switch	Contact Q.Light or Their Agent
No Sound	Wrong Wiring	Making Sure Wiring
	Problem with Horn	Contact Q.Light or Their Agent
Neither Lighting nor Revolving	Wrong Wiring	Making Sure Wiring
	No Power Supply	Making Sure Power Supply

— For A/S & Information on Product

Q-LIGHT CO., LTD.

<http://www qlightkr.com>

E-mail : qlightkr@qlightkr.com

Seoul Office (Domestic Sales & A/S)

Tel) 02-2679-6152

Ansung BD A-312, 410-13 Sindorim-Dong, Guro-Gu, Seoul

Overseas Marketing Team / Plant

Tel) 055-328-4082 Fax) 055-328-4083

Plant #1 : 178-1 Woogye-Ri, Sangdong-Myun, Kimhae-Si, KyungNam, Korea

Plant #2 : 417-1 Geumsa-Dong, Geumjung-Gu, Busan