

OPERATING MANUAL

SH1LR / SH1TLR / SH2LR / SH2TLR

OPERATING MANUAL

Heavy duty LED Revolving Warning Light

Thank you for purchasing Q.Light product.
Please read this manual carefully before installing this system for safe and long use of the product.

1 Product Feature

- AL housing product with long self-life of light source by employing high-brightness LED
- Excellent in diffusing signal light by employing unique direct-diffusion system.
- RPM : 120-140/Min.(Controllable)
- Material : Lens-PC, Body-Diecast AL, Protection Cage(option)-SUS316L
- Standard Body Color : MUNSELL NO. : 7.5BG 7/2
- Flashes(Flashing Type) : 60-80/Min.
- Protection Class : IP56

2 Specification & External View Drawing

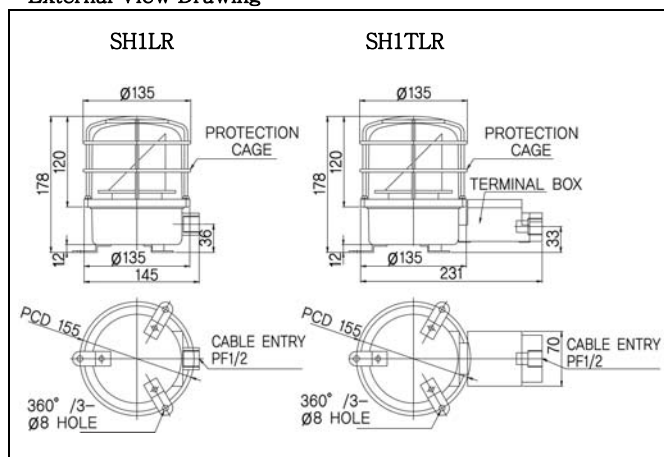
1) SH1LR / SH1TLR

General Specification

Model	Rated Voltage	Current	Weight	RPM	Color
SH1LR SH1TLR (With Terminal Box)	DC12V	0.225A	1.25Kg	120-140/Min.	Red-R Amber-A Green-G Blue-B
	DC24V	0.122A	1.25Kg		
	AC110V	0.057A	1.64Kg		
	AC220V	0.028A	1.64Kg		

*Each weight above mentioned is the net weight of SH1 excluding protection cage(0.25kg) and terminal box(0.46kg).

External View Drawing



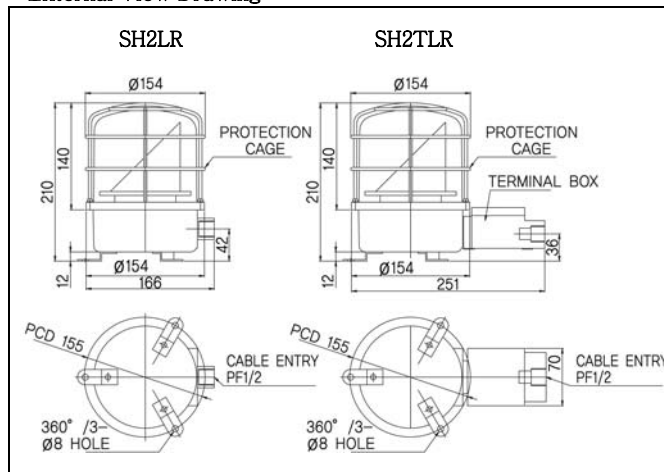
2) SH2LR/SH2TLR

General Specification

Model	Rated Voltage	Current	Weight	RPM	Color
SH2LR SH2TLR (With Terminal Box)	DC12V	0.225A	1.31Kg	120-140/Min.	Red-R Amber-A Green-G Blue-B
	DC24V	0.122A	1.31Kg		
	AC110V	0.057A	1.69Kg		
	AC220V	0.028A	1.69Kg		

* Each weight above mentioned is the net weight of SH1 excluding protection cage(0.29kg) and terminal box(0.46kg).

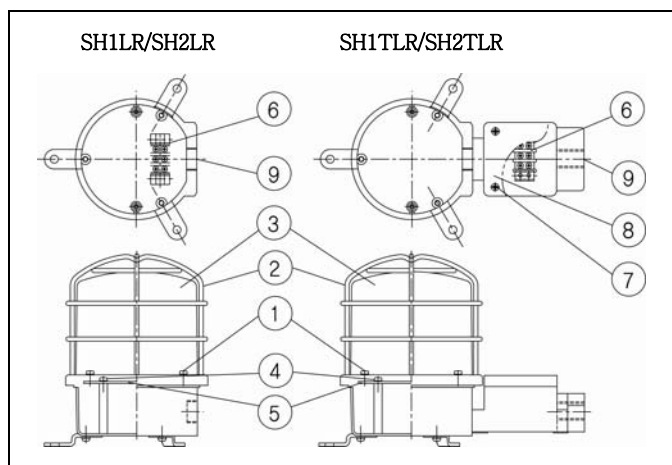
External View Drawing



3 Wiring Instruction

This product has a terminal plate inside body(SH1LR/SH2LR) or terminal box(SH1TLR/SH2TLR) for wiring.

OPERATING MANUAL



1) SH1LR/ SH2LR

- Separate globe ring② and globe③ from the body by loosening protection cage fastening bolt(M4-4EA)①.
- Separate assembling board⑤ by loosening assembling board fastening bolt(M4 Screw : SH1LR-2EA, SH2LR-3EA)④ and make sure terminal plate⑥.

2) SH1TLR / SH2TLR

Separate terminal box cover⑧ by loosening terminal box cover fastening bolt(M5-4EA)⑦ and make sure terminal plate⑥.

3) Wiring Power Line

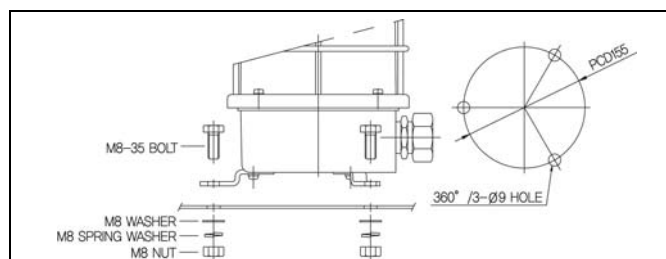
- In case of product using AC voltage, connect the line without polarity(wire color).
- In case of product using DC voltage, black line is negative(-).

4) Treating Cable Terminal

Treat the end of power cable by using “O” or “U” type terminal for safe wiring.

5) Treating Power Entry

Keep the tightness of power entry⑨ by using water-proof connector(SH1LR/SH2LR-flexible connector #16, SH1TLR/SH2TLR-15C nipple is supplied as a standard specification) or cable grand.



5 Voltage Selection(AC Type), Revolving Speed Control, Bulb Change

This product has a volume(1) for controlling revolving speed and voltage selection switch(2) on assembling board. Refer to following drawing and explanation for right operating.

1) Lens Set Removal

- Refer to previous drawing in wiring instruction and separate globe ring(protection cage)② and globe③ from the body by loosening fixing bolt①(M4 bolt 4ea) and make sure voltage selection switch(2) and speed control volume(1) on assembling board on following drawing.

2) Revolving Speed Control

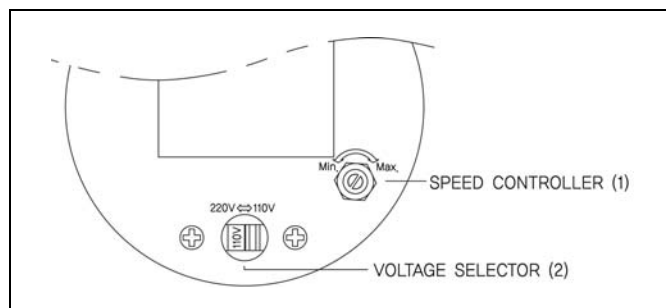
- The volume(1) for revolving speed control is built-in this product. Turn it clockwise for increasing revolving speed and turn it counterclockwise for decreasing revolving speed.
- If give excess power to the volume,it can be broken. Be careful !

3) AC Voltage Selection (AC Voltage Type Product)

- One of AC 110V and 220V can be used by using voltage selection switch(2). The product is originally produced with 220V as standard specification. So,convert to 110V by using voltage selection switch if power line voltage is 110V.

* Warning !

- Must turn off power supply. Converting switch during power supply can cause short circuit.



4 Mounting

This product is water-proof and anti-corrosion type. But, install with vertical direction at a place or machine where exists no big vibration and no strong impact as long as possible.

- Refer to below drawing and drill necessary mounting holes on profitable part of the product.
(Make sure PCD from external view drawing.)
- Fix the product by using mounting bolt(M8-3EA).

4) Lens Set Assembling

Assemble the glass lens set in reverse order of separating.

OPERATING MANUAL

6 Caution

- If using voltage is seriously higher or lower than rated voltage, it can reduce the self-life of the product or can cause a problem on product operating. Make sure the using voltage does not exceed +/- 5% of the rated voltage.
- If lens or body of the product is contaminated by chemicals such as thinner, benzene, the product can be damaged, discolored or deformed. Please be careful.
- Do not give strong impact to the product. It can be a reason of wire disconnection or short circuit.
- Do not strongly pull the wire out from the product. It can cause a disorder.

7 Troubleshooting

Situation	Main Cause	Solution
Non- Lighting Partly	LED is Partly Damaged Supplying Higher Voltage than Rated Voltage	Making Sure Using Voltage
Feeble Lighting Low Revolving Speed	Supplying Voltage Lower than Rated Voltage	Making Sure Using Voltage
	Wrong operating Voltage Selection Switch (AC Voltage Type)	Checking Voltage Select on Switch
Non Revolving	Problem with Motor	Contact Q Light or Their Agent
Neither Lighting Nor Revolving	Wrong Wiring	Making Sure Wiring
	No Power Supply	Making Sure Power Supply

— For A/S & Information on Product

Q-LIGHT CO., LTD.

<http://www.qlightkr.com>

E-mail : qlightkr@qlightkr.com

Seoul Office (Domestic Sales & A/S)

Tel) 02-2679-6152

Ansung BD A-312, 410-13 Sindorim-Dong, Guro-Gu, Seoul

Overseas Marketing Team / Plant

Tel) 055-328-4082 Fax) 055-328-4083

Plant #1 : 178-1 Woogye-Ri, Sangdong-Myun, Kimhae-Si, KyungNam, Korea

Plant #2 : 417-1 Geumsa-Dong, Geumjung-Gu, Busan