

# SH1/ SH2 series

**Superior durability with fully enclosed structure and corrosion resistance, suitable for vessels and heavy industry applications**

- **SH1 series-Ø125mm**
- **SH2 series-Ø150mm**



## Common Specifications

- Aluminum housing and polycarbonate lens material provides excellent impact resistance under seismic conditions
- Excellent hermetic structure that blocks water and dust
- Can select a variety of light sources (Bulb, LED, and xenon) for your application needs and environmental conditions
- Terminals located inside the terminal box or product
- Cable entry : 1/2"PF
- Materials : Lens-PC, Housing-Al, Protection cage-STSS316L, Reflector for LED type-PC/ Reflector for bulb type-Heat resistant ABS
- Housing standard color : MUNSSELL No. 7.5BG 7/2
- Protection rating : IP66

### ■ A Variety of Selectable Light Source and Function Combinations



You can select from a variety of light sources for your work environment, condition, and purpose. Basic specifications are as follows :

- LED revolving type
- LED steady/flashing type
- xenon lamp strobe type
- Bulb revolving type

User-selected LED strobe type and LED simulated revolving type are available upon request.

### 1 Lenses

- Utilizes a strong and durable polycarbonate material with excellent shock and vibration resistance
- The lens surface has two types depending on the light source function-Light diffusion type and light transmission type

Light transmission type		LED revolving type Bulb revolving type	SH( )LR SH( )
Light diffusion type		LED steady/flashing type xenon lamp strobe type	SH( )L/F SH( )S

### 2 Protection cage

- The durable protection cage is made of corrosion resistant stainless steel that prevents damage to the lens from external contact
- Materials : STS316L



### 3 Housing

- The special aluminum body housing features superior durability
- The housing is corrosion resistant from a special anodized surface treatment process
- Materials : Al

### 4 Fully enclosed structure

- The tightly sealed warning light structure is waterproof and dustproof
- Protection rating : IP66

### 5 Terminal box

- Terminal box is located on the side of housing for easy wiring
- Materials : Al

### 6 Brackets

- Stainless steel mounting bracket is conveniently attached to the outer surface of the product
- Materials : STS

## SH1/SH2 series Product Categories



### Standard model

- Protection cage or terminal box not attached
- Terminals located inside the housing
- Use in environments that has low probability of damage to the lens due to external forces
- SH1/SH2 series is available in this model



### Terminal box mounted type

- Equipped with a terminal box for easy wiring
- Terminal box enables easy wiring
- Use in environments that has low probability of damage to the lens due to external forces
- SH1T( )/ SH2T( ) is available in this model



### Protection cage mounted type

- Equipped with a Protection cage
- Terminals located inside the housing
- Damage to the lens from external forces can be prevented with protection cage
- SH1( )P/SH2( )P is available in this model



### Terminal box and protection cage mounted type

- Equipped with a protection cage and a terminal box
- Terminal box enables easy wiring
- Damage to the lens from external forces can be prevented with protection cage
- SH1T( )P/ SH2T( )P is available in this model

# SH1LR/ SH2LR series



- SH1LR-Ø125mm
- SH2LR-Ø150mm



SH1LR



SH2LRP

SH1LR/SH2LR models are equipped with flexible connector, and SH1TLR/SH2TLR models are equipped with 15C nipple at cable entry.



Flexible connector



15C nipple



## Common Specifications(SH1L/ SH2L)

- Features high visibility in all directions with special concentrated LED light structure and multi side reflector
- Revolving speed : 120-140RPM
- Materials : Lens-PC, Housing-Al, Protection cage-STSS316L, Reflector for LED : PC
- Ambient operation temperature : -20°C to +50°C
- Cable entry : 1/2"PF
- Housing standard color : MUNSELL No.7.5BG 7/2
- Protection rating : IP66



## SH1LR LED Revolving Warning Light

- Certificates : KIMM, ABS, CCS, CE

Model number	Voltage	Current	Certificates	Color
• SH1LR Standard type	DC12V	0.422A		<ul style="list-style-type: none"> <li>• R-Red</li> <li>• A-Amber</li> <li>• G-Green</li> <li>• B-Blue</li> </ul>
• SH1LRP Protection cage type	DC24V	0.266A		
• SH1TLR Terminal box type	AC110V	0.082A		
• SH1TLRP Protection cage and terminal box type	AC220V	0.041A		



## SH2LR LED Revolving Warning Light

- Certificates : KIMM, ABS, CE

Model number	Voltage	Current	Certificates	Color
• SH2LR Standard type	DC12V	0.422A		<ul style="list-style-type: none"> <li>• R-Red</li> <li>• A-Amber</li> <li>• G-Green</li> <li>• B-Blue</li> </ul>
• SH2LRP Protection cage type	DC24V	0.266A		
• SH2TLR Terminal box type	AC110V	0.082A		
• SH2TLRP Protection cage and terminal box type	AC220V	0.041A		

## SH1LR/SH2LR LED Reflector Warning Lights Specification Category and Products Weight Chart

Type	SH1 series		SH2 series	
Lens diameter	Ø125mm		Ø150mm	
Standard		SH1LR (1.64kg)		SH2LR (1.69kg)
Built-in protection cage		SH1LRP (1.89kg)		SH2LRP (1.98kg)
Built-in terminal box		SH1TLR (2.10kg)		SH2TLR (2.15kg)
Built-in protection cage & Terminal box		SH1TLRP (2.35kg)		SH2TLRP (2.44kg)

※ Product weight is based on AC type.



## Ordering Specification

<b>SH1LR</b>	-	<b>12</b>	-	<b>R</b>
[Model number]		[Voltage]		[Color]
<ul style="list-style-type: none"> <li>• SH1LR</li> <li>• SH1LRP</li> <li>• SH1TLR</li> <li>• SH1TLRP</li> <li>• SH2LR</li> <li>• SH2LRP</li> <li>• SH2TLR</li> <li>• SH2TLRP</li> </ul>		<ul style="list-style-type: none"> <li>• 12-DC12V</li> <li>• 24-DC24V</li> <li>• 110-AC110V</li> <li>• 220-AC220V</li> </ul>		<ul style="list-style-type: none"> <li>• R-Red</li> <li>• A-Amber</li> <li>• G-Green</li> <li>• B-Blue</li> </ul>

# SH1/ SH2 series

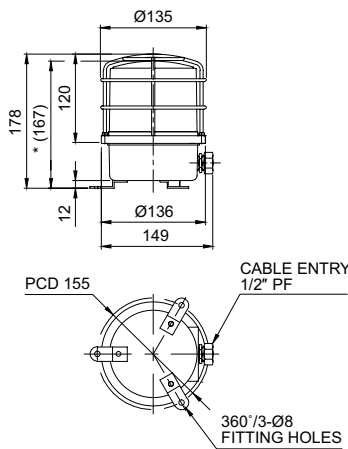


## Technical Diagram

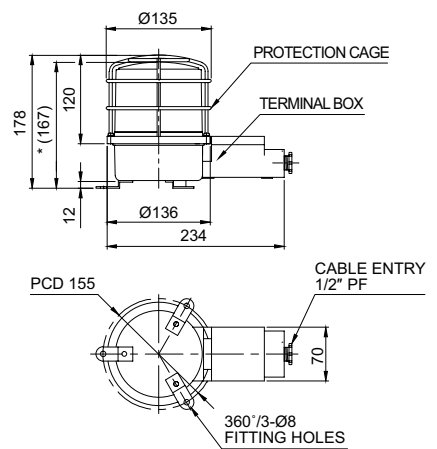
(Units : mm)



SH1LRP/ SH1LP/ SH1SP/ SH1P



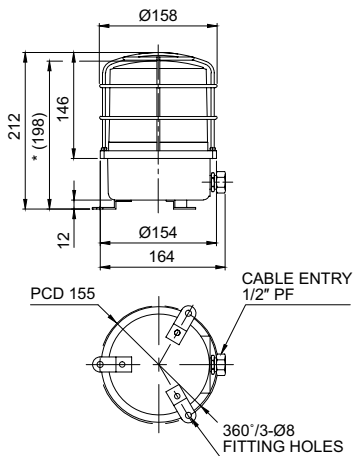
SH1TLRP/ SH1TLP/ SH1TSP/ SH1TP



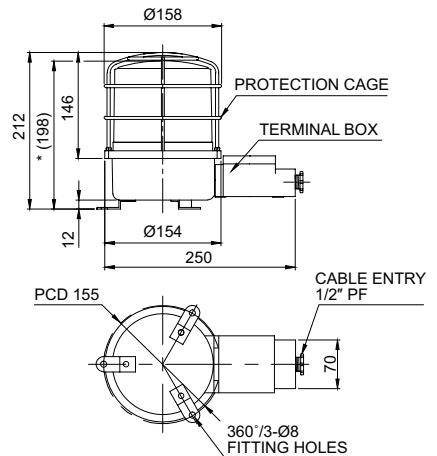
※ \*(167) represents SH1LR/ SH1L/ SH1S/ SH1, SH1TLR/ SH1TL/ SH1TS/ SH1T size without protection cage.



SH2LRP/ SH2LP/ SH2SP/ SH2P



SH2TLRP/ SH2TLP/ SH2TSP/ SH2TP



※ \*(198) represents SH2LR/ SH2L/ SH2S/ SH2, SH2TLR/ SH2TL/ SH2TS/ SH2T size without protection cage.



## Customization

- 3/4"PF cable entry  
Standard cable entry is 1/2"PF  
3/4"PF is customization
- Built-in cable gland type  
Flexible connector is equipped to the standard cable entry
- Brass housing product  
SH2 series brass housing provides products with excellent corrosion resistance as customization  
※ Color will be MUNSELL No. 7.5BG 7/2 when Released.
- 2T type has 2 cable entries in the terminal box  
2 cable entries terminal box is a customized add-on,  
please refer to the technical diagram on page 159



Built-in cable gland type



Brass housing product



2 cable entries terminal box model

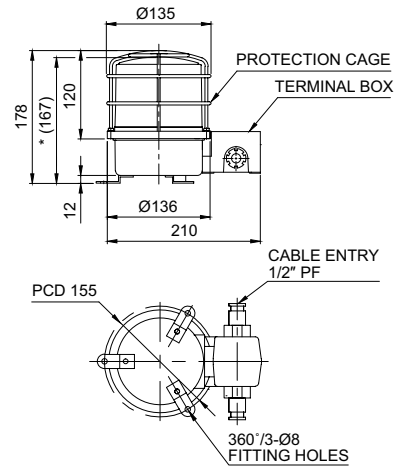
# SH1/ SH2 series



## Technical Diagram for 2T Type Cable Entries

(Units : mm)

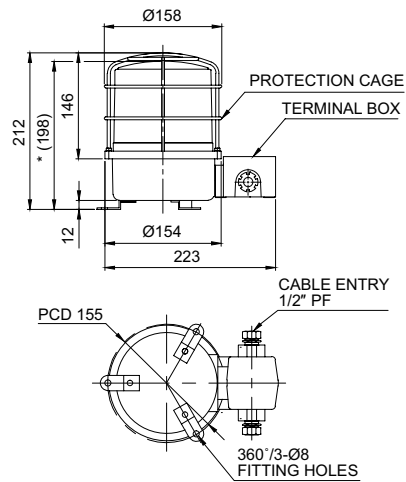
SH1LR-2TP/ SH1L-2TP/ SH1S-2TP/ SH1-2TP



※ \*(167) represents SH1LR-2T/ SH1L-2T/ SH1S-2T/ SH1-2T size without protection cage.



SH2LR-2TP/ SH2L-2TP/ SH2S-2TP/ SH2-2TP



※ \*(198) represents SH2LR-2T/ SH2L-2T/ SH2S-2T/ SH2-2T size without protection cage.