

OPERATING MANUAL

SEWN50T / SEWN50E / SEWN50L

OPERATING MANUAL Heavy Duty Signal Phone

Thank you for purchasing Q.Light product.
Please read this manual carefully before installing this system for safe and long use of the product.

1 Product Feature

- Heavy-duty product of aluminium housing type which is suitable to transmit signal for vessel, iron mill & outdoor plant.
- Possible to control volume level by using the built-in volume controller..
- Standard Body Color : MUNSELL NO. : 7.5BG 7/2
- Standard Horn Housing Color : Red
- Material : Body- DIECAST AL., Horn Housing-SUS316L
- Volume : 115~120 dB/1m
- Protection Class : IP56
- Wall mounting type & Self-Standing Type

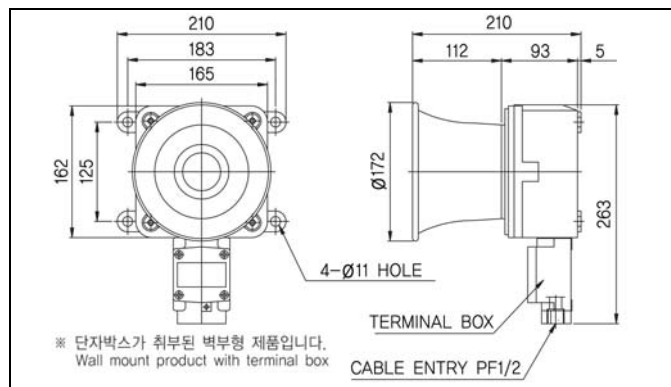
2 Specification & External View Drawing

1) SEWN50T

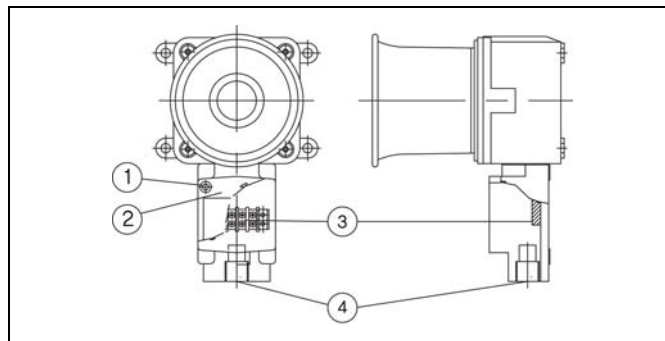
• Product Specification

Model	Built-in Sound	dB	Rated Voltage	Voltage/Current	Weight
SEWN50T (With Terminal Box)	WS	5 Warning Sounds	120dB	·DC12V /1.030A ·DC24V /0.690A ·AC110V /0.193A ·AC220V /0.117A	DC -4.65Kg AC -4.95Kg
	WP	5 Special Warning Sounds	120dB		
	WM	5 Melodies	120dB		
	WA	5 Alarms	118dB		
	WV	3 Voice Signals	115dB		

• External View Drawing



• Structure Drawing

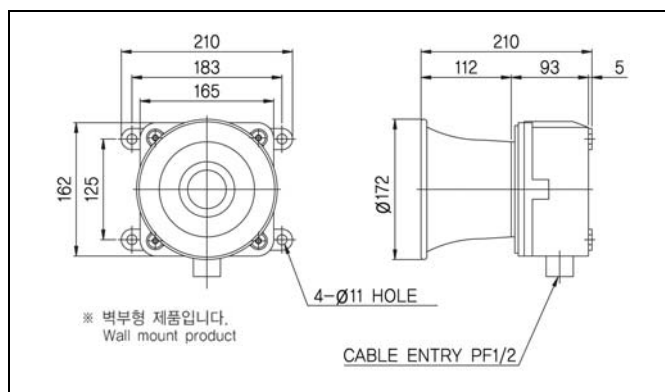


2) SEWN50E

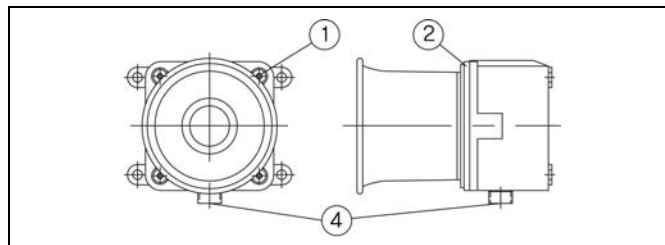
• Product Specification

Model	Built-in Sound	dB	Rated Voltage	Voltage/Current	Weight
SEWN50E (Wall Mounting Type)	WS	5 Warning Sounds	120dB	·DC12V /1.030A ·DC24V /0.690A ·AC110V /0.193A ·AC220V /0.117A	DC -4.22Kg AC -4.52Kg
	WP	5 Special Warning Sounds	120dB		
	WM	5 Melodies	120dB		
	WA	5 Alarms	118dB		
	WV	3 Voice Signals	115dB		

• External View Drawing



• Structure Drawing



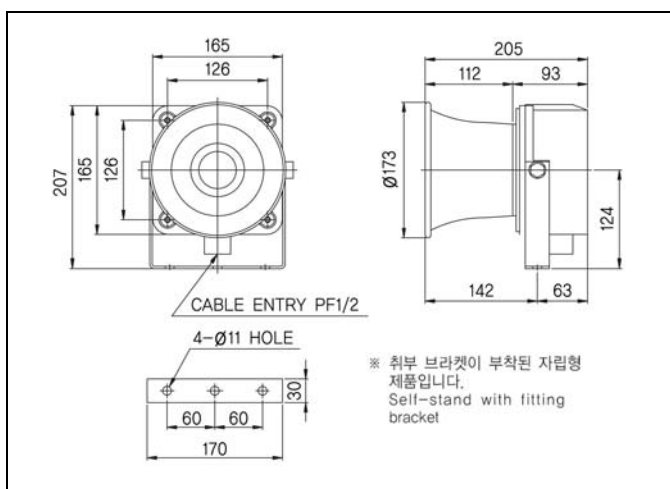
OPERATING MANUAL

3) SEWN50L

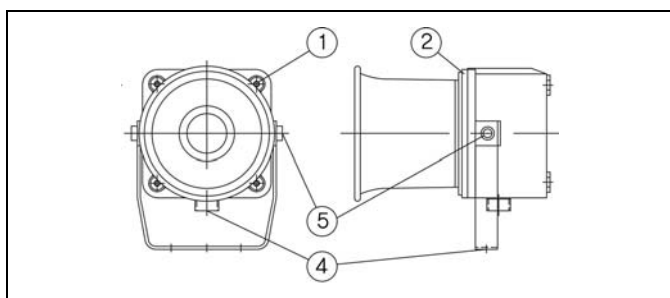
• Product Specification

Model	Built-in Sound		dB	Rated Voltage	Voltage/Current	Weight
SEWN50L (Self Standing Type)	WS	5 Warning Sounds	120dB	·DC12V ·DC24V ·AC110V ·AC220V	·DC12V /1.030A ·DC24V /0.690A ·AC110V /0.193A ·AC220V /0.117A	DC -4.20Kg AC -4.50Kg
	WP	5 Special Warning Sounds	120dB			
	WM	5 Melodies	120dB			
	WA	5 Alarms	118dB			
	WV	3 Voice Signals	115dB			

• External View Drawing



• Structure Drawing



※ Angle Adjustment of Horn Housing

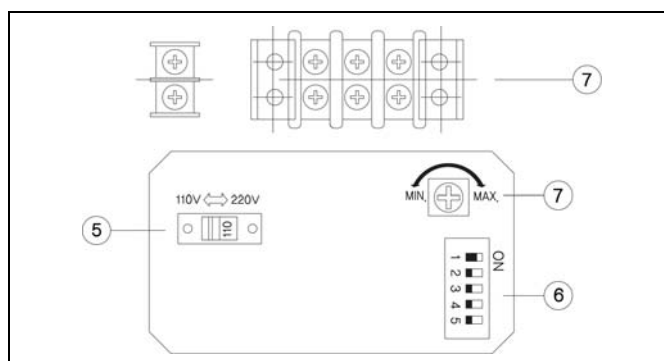
Slightly Loosen bracket fixing bolt⑤ on the side of body and adjust the angle of horn housing. Then, tighten the loose bolt.

3 Sound Tone Specification

Model	Built-in Sound	CH	Sound Tone	dB
WS	5 Warning Sounds	ch1	Fire : A-ANG(Wail) Sound	120 dB
		ch2	Emergency : WA-U Sound	
		ch3	Ambulance : PI-PO Sound	
		ch4	Machinery Fault : PI-PI Short Interval	
		ch5	Foam Release Alarm : PI~ Continuous	
WP	5 Special Warning Sounds	ch1	Fire : A-ANG(Wail) Sound	120 dB
		ch2	Abandon Alarm~	
		ch3	Machinery Fault : PI-PI Short Interval	
		ch4	Foam Release Alarm : PI~ Continuous	
		ch5	General Alarm : Long PI after 7 Short PI	
WM	5 Melodies	ch1	Sweet Home	120 dB
		ch2	For Elise	
		ch3	Cuckoos Waltz	
		ch4	Piano Sonata	
		ch5	Turkish March	
WA	5 Alarms	ch1	Beep(Intermittent)	118 dB
		ch2	Door Chime	
		ch3	Phone Ring Sound	
		ch4	PI-PI-PI- (Short Interval)	
		ch5	Tripping Bead Sound	
WV	3 Voice Signals	ch1	Voice Recording & Replay 3 Channels	115 dB
		ch2		
		ch3		

4 Voltage, Sound Tone Selection, Method of Volume Control

This product has a volume controller⑦, voltage selection switch⑤ and sound tone selection switch⑥ on assembling board. Refer to following drawing and explanation for right operating.



• AC Voltage Selection

※ Warning !

Must turn off power supply. Converting switch during power supply can cause short circuit.

- Can choose one of AC110V and AC220V by using voltage selection switch⑤. 220V is already selected for standard product. Convert the switch to 110V if needed.

• Sound Tone Selection

This product has 5 sound tones built-in. Select one of them by using sound tone selection switch⑥.

OPERATING MANUAL

• Volume(dB) Control

This product has volume controller⑦ built-in.
Turn it to clockwise for increasing volume and turn it to counterclockwise for decreasing volume.

5 Wiring Instruction

Refer to structure drawing on previous pages and carefully read following explanation for correct manipulation.

■ SEWN50T

An extra terminal box is attached to this product. Open the cover② by loosening cover bolt(M5-4EA)① of terminal box.

■ SEWN50E/SEWN50L

SEWN50E/SEWN50L have terminal plate built-in. Loosen cover bolt① and open the cover②.

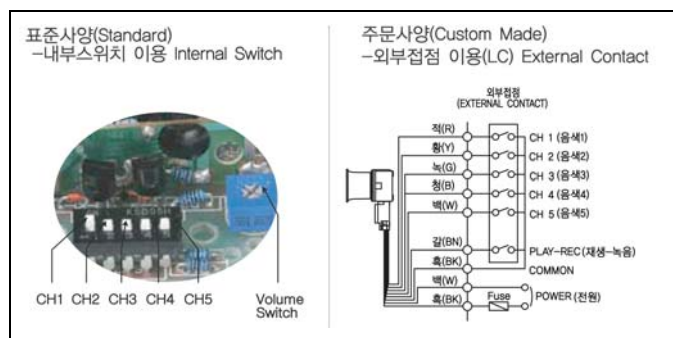
■ General Information for All Products

- Treat the end of power cable by using “O” or “U” type terminal for safe wiring.
- Connect power cable to terminal plate③.
- In case of product using AC voltage, connect the line without polarity(wire color).
- In case of product using DC voltage, black line is negative(-).
- Keep airtightness of cable entry④ by using water-proof connector(SEWN50E/L :15C nipple, SEWN50T: Flexible connector #16 is supplied for standard specification) or cable grand. Product can be damaged by water or dust if the cable entry is exposed outdoor without airtightening.

※ Custom Made product(LC Type : Sound Tone Selection by Using External Contact)

This case, extra sound tone signal lines get out from product Refer to right wiring diagram of below drawing.

- Signal Line : UL1007-NO.22(0.3sq) 400mm
- * The left picture is sound tone selection switch for standard product.



6 Mounting

- This product is produced for outdoor installation. But, install with vertical right direction as long as possible.

- Refer to below information and drill necessary mounting holes on profitable part of the product.
(Make sure PCD from external view drawing)
- For SEWN50T/ SEWN50E, fix the product by using extra mounting bolt(M8-4EA).
- For SEWN50L, fix the product by using extra mounting bolt (M8-2EA).

7 Caution

- This product is water-proof and anti-corrosion type.
When separate and assemble the product for wiring, repair or check, keep the airtightness of the product by tightening each bolt and nut.
- If using voltage is seriously higher or lower than rated voltage, it can reduce the self-life of the product or can cause a problem on product operating. Make sure the using voltage does not exceed +/- 5% of the rated voltage.
- If lens or body of the product is contaminated by chemicals such as thinner, benzene, the product can be damaged, discolored or deformed. Please be careful.

8 Troubleshooting

Situation	Main Cause	Solution
Sound Tone Deterioration or Volume Decreasing	Supplying Voltage Lower Than Rated Voltage	Making Sure Using Voltage
	Wrong Selecting Voltage Selection Switch to 220V (In Case of AC Type)	Selecting Voltage Selection Switch to 110V
Higher Volume(dB) than Standard	Supplying Voltage Higher than Rated Voltage	Making Sure Using Voltage
Double Sound Tone	Short Circuit of Sound Tone Signal Line	Making Sure Wiring
	Error on Sound Tone Selection Switch	Contact Q.Light or Their Agent
No Sound	Wrong Wiring	Making Sure Wiring
	No Power Supply	Making Sure Power Supply
	Problem with Horn	Contact Q.Light or Their Agent

— For A/S & Information on Product

Q-LIGHT CO., LTD.

http://www.qlightkr.com
E-mail : qlightkr@qlightkr.com
Seoul Office (Domestic Sales & A/S)
Tel) 02-2679-6152

Ansung BD A-312, 410-13 Sindorim-Dong, Guro-Gu, Seoul
Overseas Marketing Team / Plant
Tel) 055-328-4082 Fax) 055-328-4083
Plant #1 : 178-1 Woogye-Ri, Sangdong-Myun, Kimhae-Si, KyungNam, Korea
Plant #2 : 417-1 Geumsa-Dong, Geumjung-Gu, Busan