

OPERATING MANUAL

SEN15 / SEN25

OPERATING MANUAL

Standard Size Signal Phone

Thank you for purchasing Q.Light product. Please read this manual carefully before installing this product for safe and long use.

1 Pro

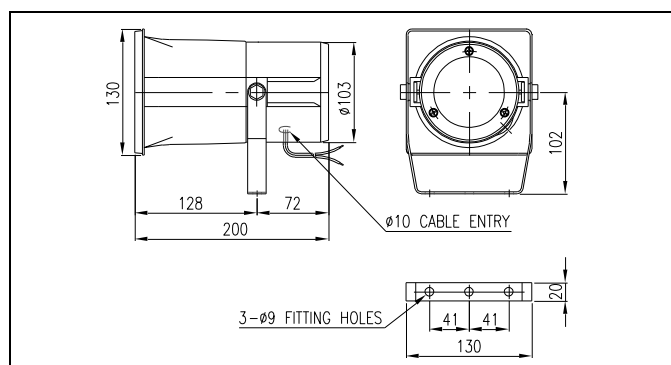
- Having a clear sound tone that ensures accurate signal transmission even at a high-noise place.
- Possible to control volume level by using the built-in volume controller.
- Standard Body Color: Red
- Material: Body-ABS
- Volume(Max): SEN15-98~108dB/m, SEN25-108~115dB/m
- Protection Class: IP55
- Operating Temperature: -20°C~50°C

2 Spe

General Specification

	Main Built-in Sounds		Voltage/Current		Weight	
			SEN15	SEN25	SEN15	SEN25
SEN15	WS	5Warning Sounds	DC12V /0.366A	DC12V /2.211A	DC -0.76Kg	DC -0.95Kg
			DC24V /0.266A	DC24V /1.022A		
SEN25	WM	5Melodies	AC110V /0.077A	AC110V /0.226A	AC -1.03Kg	AC -1.23Kg
			AC220V /0.038A	AC220V /0.113A		
	WA	5Alarms				
	WV	3Voice Signals				

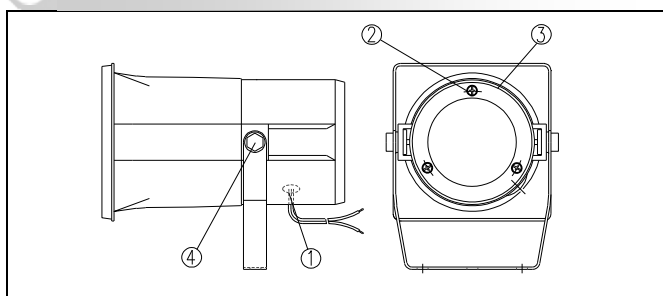
External View Drawing



3 Sound Tone Combination of Standard Product

	Main Built-in Sounds	CH	Sound	Volume (Max)	
				SEN15	SEN25
WS	5Warning Sounds	ch1	Fire A-ANG Sound	108dB	115dB
		ch2	Emergency WA-U Sound		
		ch3	Ambulance PI-PO Sound		
		ch4	Machinery Fault PI-PI Sound		
		ch5	High-Expasion Foamrelease PI~Sound		
WM	5Melodies	ch1	Sweet Home	108dB	115dB
		ch2	For Elise		
		ch3	Cuckoo Waltz		
		ch4	Piano Sonata		
		ch5	Turkish March		
WA	5Alarms	ch1	Beep. intermittent	105dB	113dB
		ch2	Door chime		
		ch3	Phone Ring sound		
		ch4	PI PI PI. short interval		
		ch5	Tripping bead sound		
WV	3Voice Signals	ch1	Voice recording channels	3	98dB
		ch2			
		ch3			

4 Product Structure



5 Wiring Instruction

- Power line VCTF(0.75sqX2C) 400mm comes out from the product.
- In case of product using AC voltage, connect the line without Polarity(wire color).
- In case of product using DC voltage, black line is negative(-).
- Power entry① is equipped with cable connector. Keep airtightness between cable and cable connector by tightening cable connector.

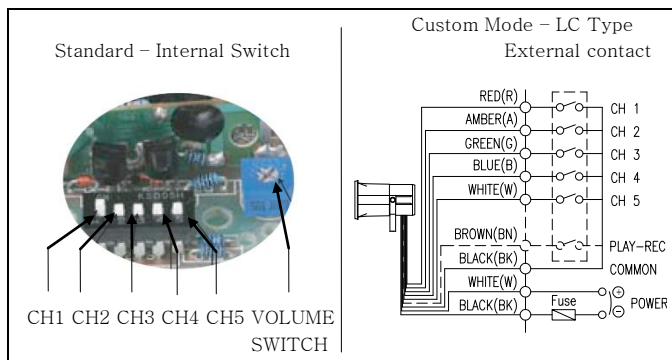
Custom-made(LC) connection way to select sound by external contact point

- Custom-made(LC) which select sound by external contact point comes out power line and signal line outside. Please see below picture to connect.
- Power line: UL1015-NO.18(0.75sq)X2C 400mm
- Signal line: UL1007-NO.22(0.3sq) 400mm

* Warning!

If you connect power line to Common line and each signal line, there's a sound badness. So please be careful.

OPERATING MANUAL



7 Mounting

- This product is manufactured for outdoor use. Mount at the place where exists low moisture and low dust as long as possible.
- Refer to below information and drill necessary mounting holes on profitable part of the product. (Make sure PCD from external view drawing.)
- Fix the product by using extra mounting bolt(M8-3EA).

8 Adjustment of Horn Housing Angle

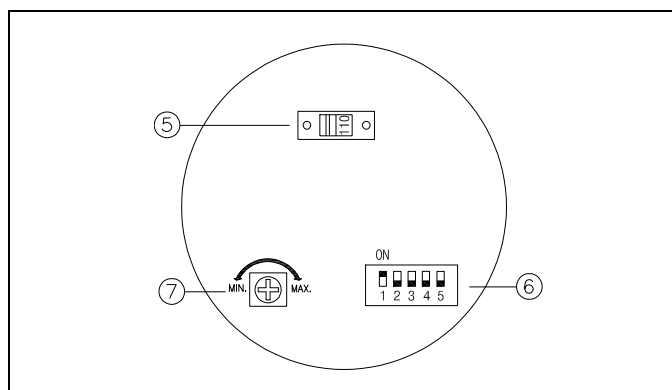
If the angle of horn housing(angle of signal transmission) needs adjustment, loose the bracket fixing bolt④ on side of body and adjust the angle. (Refer to structure drawing)

9 Caution

- This is designed for explosion proof and water proof/dust proof product. **When releasing the product for checking, connecting etc, must keep airtight by making sure bolts.**
- If using voltage is seriously higher or lower than rated voltage, it can reduce the self-life of the product or can cause a problem on product operating. Make sure the using voltage does not exceed +/-5% of the rated voltage.
- If lens or body of the product is contaminated by chemicals such as thinner, benzene, the product can be damaged, discolored or deformed. Please be careful.

6 Selecting voltage, sound tone, control volume

This product has a volume controller, voltage selection switch and sound tone selection switch on assembling board for convenience. Refer to previous structure drawing, following drawing and explanation for right operating. In the first, remove cover③ by loosening cover bolt② on back side.



▪ Selecting Voltage

※ Warning !

Must turn off power supply. Converting switch during power supply can cause short circuit.

- Can choose one of AC110V and AC220V by using voltage selection switch⑤. **220V is already selected for standard product. Convert the switch to 110V if needed.**

▪ Sound Tone Selection (Standard Product)

Standard product has 5 sound tones built-in. Select one of them by using sound tone selection switch⑥.

▪ Volume Control

This product has volume controller⑦ built-in. Turn it to clockwise for increasing volume and turn it to counterclockwise for decreasing volume.

OPERATING MANUAL

10 Trouble shooting

Situation	Main reason	Solution
Sound Tone Deterioration or Volume Decreasing	Supplying Voltage Lower Than Rated Voltage	Making Sure Using Voltage
	Wrong operating Voltage Selection Switch (AC Voltage Type)	Checking Voltage Selection Switch
Too high sound tone than the standard	Supplying Voltage Higher than Rated Voltage	Making Sure Using Voltage
Output 2 kinds of sounds	Signal sound line short	Making Sure connection
	Problem Sound tone Selection Switch	Contact Q.Light or Their Agent
No sound	Problem with Horn	Contact Q.Light or Their Agent
	Wrong Wiring	Making Sure Wiring
	No Power Supply	Making Sure Power Supply

For

Q-LIGHT CO., LTD.

<http://www.qlightkr.com>

E-mail : qlightkr@qlightkr.com

Overseas Marketing Team /Plant

Tel) 055-328-4082 Fax) 055-328-4083

178-1 Woogye-Ri, Sangdong-Myun, Kimhae-Si,

KyungNam, Korea