

S80 series

Ø80mm LED Steady/ Flashing Signal Lights



S80L LED Steady/ Flashing Signal Light

- Ø80mm LED steady/ flashing signal lights
- Multi reflector system emits intense and constant level of signal lights
- Built-in switch for selection between steady and flashing mode
- Built-in buzzer available (Volume : Max 90dB at 1m)
- Flashing rate : 60-80 flashes/min
- Materials : Lens-AS, Housing-ABS, Reflector-Heat resistant ABS
- Ambient operating temperature : -30°C to +50°C
- Protection rating : IP44
- Certificates : CE Compliant
- Compliant with RoHS directive



S80L

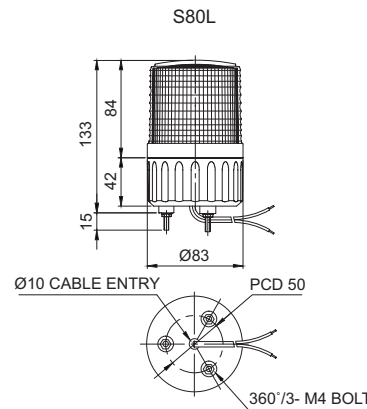


Specifications

Model number	Voltage	Current	Certificates	Weight	Color
S80L	DC12V-24V	Max.0.125A	DC24V only	0.20kg	• R-Red
	AC110V	0.035A		0.32kg	• A-Amber
	AC220V	0.020A		0.32kg	• G-Green • B-Blue

Technical Diagram

(Units : mm)



Wiring Instructions

- External power line standard : UL1015 AWG18(0.75sq)×2C 400mm
- Product can be wired regardless of polarity

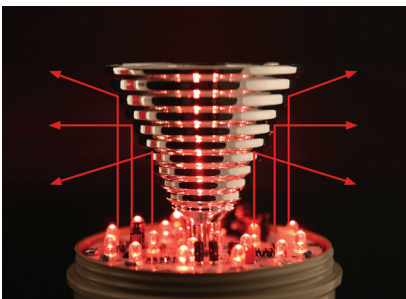
Customization

- Wall mount bracket options :
Bracket structure allows for threading through the bracket hole or into the wall mount



Ordering Specification

S80L	-	BZ	-	24	-	R
[Model number]		[Buzzer option]		[Voltage]		[Color]
• S80L		• None • No buzzer • BZ • Built-in buzzer		• 12-DC12V • 24-DC24V • 110-AC110V • 220-AC220V		• R-Red • A-Amber • G-Green • B-Blue



Feature of indirect light diffusing system

Indirect light diffusing system emits intense and constant level of signal lights via multi reflector throughout the lens.