

S80 series

Ø80mm LED Revolving Warning Lights



S80DRK



S80LRK

S80DRK/ S80LRK LED Revolving Warning Lights

- Ø80mm LED revolving warning lights
- Adopts a special power transmission system that reduces noise and wear
- Circular mount bracket allows convenient installation
- No buzzer allowed
- Revolving speed : 120-140RPM
- Materials : Lens-AS, Housing-ABS, Reflector-Heat resistant ABS
- Ambient operating temperature : -20°C to +50°C
- Protection rating : IP44
- Compliant with RoHS directive



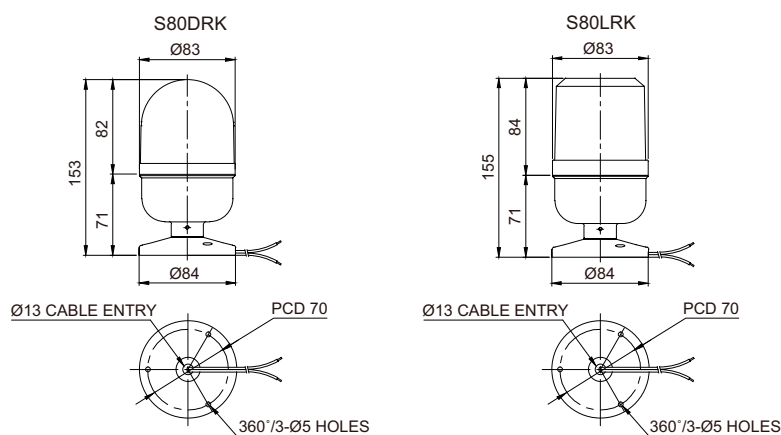
Specifications

| Model number | Voltage | Current | Certificates | Weight | Color |
|------------------|---------|---------|--------------|--------|---|
| S80DRK S80LRK | DC12V | 0.183A | - | 0.24kg | <ul style="list-style-type: none"> • R-Red • A-Amber • G-Green • B-Blue |
| | DC24V | 0.127A | | 0.24kg | |
| | AC110V | 0.035A | | 0.43kg | |
| | AC220V | 0.017A | | 0.43kg | |



Technical Diagram

(Units : mm)



Wiring Instructions

- External power line standard : UL1015 AWG18(0.75sq)×2C 400mm
- DC Type : Black output line is negative(-)



Customization

- Pole mount type

| Standard | QZ18 | SZ18 | SL18 | QLA18 |
|----------|------|------|------|-------|
| | | | | |
| Steel | PC | Al | Al | PC |

※ Please refer to page32-37 for detailed dimension of mount bracket



Replacement for old version

S80DRK substitutes for S80RLRK, so they have same dimension, function and feature.



Ordering Specification

| | | | | |
|--|---|--|---|---|
| S80DRK | - | 24 | - | R |
| [Model number] | | [Voltage] | | [Color] |
| <ul style="list-style-type: none"> • S80DRK • S80LRK | | <ul style="list-style-type: none"> • 12-DC12V • 24-DC24V • 110-AC110V • 220-AC220V | | <ul style="list-style-type: none"> • R-Red • A-Amber • G-Green • B-Blue |

ООО "РусАвтоматизация"