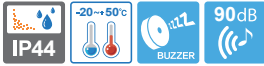


S80 series

Ø80mm Bulb Revolving Warning Lights



S80AR

S80AR/ S80AU Bulb Revolving Warning Lights

- Equipped wall mount allows for easy assembly. Additional mounting brackets not required
- Terminal block designed inside the side mount bracket enables easy wiring
- Built-in buzzer available (Volume : Max 90dB at 1m)
- Revolving speed : 120-140RPM
- Materials : Lens-AS, Housing-ABS, Reflector-Heat resistant ABS
- Ambient operating temperature : -20°C to +50°C
- Protection rating : IP44

Specifications

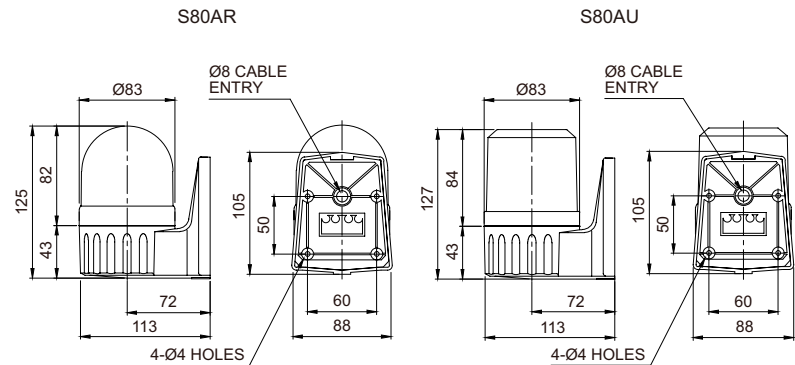
| Model number | Voltage | Current | Bulb | | | Certificates | Weight | Color |
|--------------|---------|---------|-------|------------|----------|--------------|--------|---|
| | | | Spec | Standard | Parts no | | | |
| S80AR | DC12V | 0.484A | 12V5W | T16x35 15S | 5 | - | 0.31kg | <ul style="list-style-type: none"> • R-Red • A-Amber • G-Green • B-Blue |
| | DC24V | 0.310A | 24V5W | T16x35 15S | 6 | | 0.31kg | |
| S80AU | AC110V | 0.080A | 12V5W | T16x35 15S | 5 | | 0.50kg | |
| | AC220V | 0.040A | 12V5W | T16x35 15S | 5 | | 0.50kg | |

Technical Diagram

(Units : mm)



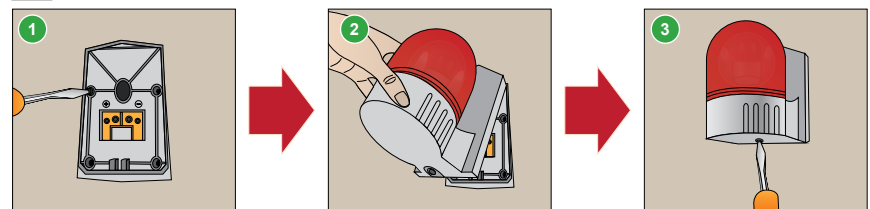
S80AU



Wiring Instructions

- Attach the power supply wire to the terminal block
- DC Type : Black output line is negative(-)

Mounting Instructions



- 1 Secure the base plate to the mounting surface, and the power line to the terminal block
- 2 Mount the warning light by inserting the ring(hook) into the upper part of the base plate
- 3 Screw in the bolt at the base of the mounting bracket to complete assembly

Ordering Specification

| | | | | | | |
|--|---|--|---|--|---|---|
| S80AR | - | BZ | - | 220 | - | R |
| [Model number] | | [Buzzer option] | | [Voltage] | | [Color] |
| <ul style="list-style-type: none"> • S80AR • S80AU | | <ul style="list-style-type: none"> • None • No buzzer • BZ • Built-in buzzer | | <ul style="list-style-type: none"> • 12-DC12V • 24-DC24V • 110-AC110V • 220-AC220V | | <ul style="list-style-type: none"> • R-Red • A-Amber • G-Green • B-Blue |



S80A series enable easy wiring

S80A series enables easy wiring with its terminal block attached to the fixed base plate. With this system the contacts in the housing sends power directly to the terminal block.

ООО "РусАвтоматизация"

454010 г. Челябинск, ул. Гагарина 5, оф. 507

тел. 8-800-775-09-57 (звонок бесплатный), +7(351)799-54-26, тел./факс +7(351)211-64-57

info@rusautomation.ru; rusavtomatizaciya.pф; www.rusautomation.ru