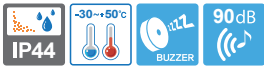


S180 series

Ø180mm Xenon Lamp Strobe Signal Lights



S180US/ S180UHS



S180UHS is equipped with the hyper brightness xenon lamp, and emits a strong flashing light.

S180UHS ultra high intensity strobe light has 3 built-in high intensity xenon lamps!

Maintains excellent visibility even in distant environments where there is a lot of fog or dust.



S180UHS type is a product that improves long distant visibility by equipping three high-intensity xenon lamps. The high performance product is typically used in harbors where there is fog, or mills/ steel mills where there is dust.



Common Specifications(S180US/ S180UHS)

- Excellent long distance visibility from flashing light of the high capacity xenon lamp
- Adopts a translucent lens which provides a luminous light and subdued signal
- Convenient lamp change adopts lamp connector type structure
- Built-in buzzer available(Volume : Max 90dB at 1m)
- Materials: Lens-ABS, Housing-ABS
- Flashing rate : 60-80 flashes/min(2 time consecutively flashing off or two in a row)
- Ambient operating temperature : -30°C to +50°C
- Protection rating : IP44



S180US Xenon Lamp Strobe Signal Light

Model number	Voltage	Current	Bulb			Certificates	Weight	Color
			Spec	Standard	Parts no			
S180US	DC12V	1.277A	280V -400V	BH0647(G) W Type	49	-	0.84kg	• R-Red
	DC24V	0.655A					0.84kg	• A-Amber
	AC110V	0.233A					0.80kg	• G-Green
	AC220V	0.186A					0.80kg	• B-Blue



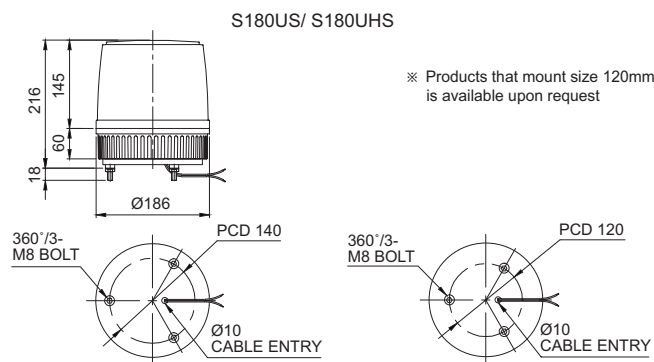
S180UHS Hyper Brightness Xenon Lamp Strobe Signal Light

Model number	Voltage	Current	Bulb			Certificates	Weight	Color
			Spec	Standard	Parts no			
S180UHS	DC12V	2.277A	280V -400V	BH0647(G) W Type	49	-	1.18kg	• R-Red
	DC24V	1.055A					1.18kg	• A-Amber
	AC110V	0.711A					1.02kg	• G-Green
	AC220V	0.422A					1.02kg	• B-Blue



Technical Diagram

(Units : mm)



Wiring Instructions

- External power line standard : UL1015 AWG18(0.75sq)×2C 400mm
- DC type : Black output line is negative(-)



Customization

- 2 buzzer sound types : Both prolonged(beep, beep) and staccato(beep, beep, beep) buzzer output available
- The product mount hole size 120mm(PCD 120mm)



Ordering Specification

S180US	-	BZ	-	220	-	R
[Model number]		[Buzzer option]		[Voltage]		[Color]
• S180US • S180UHS		• None • No buzzer • BZ • Built-in buzzer		• 12-DC12V • 24-DC24V • 110-AC110V • 220-AC220V		• R-Red • A-Amber • G-Green • B-Blue

ООО "РусАвтоматизация"

454010 г. Челябинск, ул. Гагарина 5, оф. 507

тел. 8-800-775-09-57 (звонок бесплатный), +7(351)799-54-26, тел./факс +7(351)211-64-57

info@rusautomation.ru; rusautomation.ru; www.rusautomation.ru