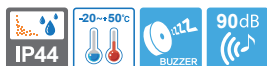


S125 series

Ø125mm Bulb Revolving Warning Lights



S125R

Common Specifications(S125R/ S125U/ S125M)

- Ø125mm standard-sized bulb revolving warning lights
- Adopts a special power transmission system that reduces noise and wear
- Built-in buzzer available (Volume : Max 90dB at 1m)
- Revolving speed : 120-140RPM
- Materials : Lens-AS, Housing-ABS, Reflector-Heat resistant ABS
- Ambient operating temperature : -20°C to +50°C

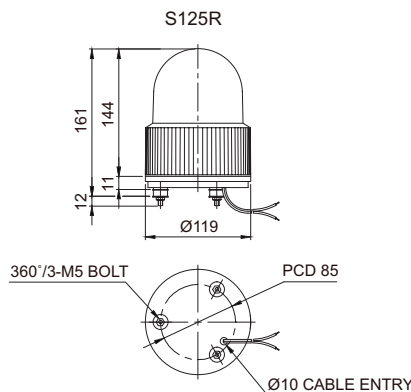
S125R Bulb Revolving Warning Light

- Protection rating : IP44
- Certificates : CE Compliant

Model number	Voltage	Current	Bulb			Certificates	Weight	Color
			Spec	Standard	Parts no			
S125R	DC12V	0.966A	12V10W	T16x35 15S	9	CE	0.40kg	<ul style="list-style-type: none"> • R-Red • A-Amber • G-Green • B-Blue
	DC24V	0.566A	24V10W	T16x35 15S	10		0.40kg	
	AC110V	0.130A	12V10W	T16x35 15S	9	-	0.65kg	
	AC220V	0.065A	12V10W	T16x35 15S	9	-	0.65kg	

Technical Diagram

(Units : mm)



Wiring Instructions

- External power line standard : UL1015 AWG18(0.75sq)×2C 400mm
- DC type : Black output line is negative(-)

Customization

- Cost efficient model with AC type bulb (Model number : S125E)
- Item used FT bracket (Model number : S125E-FT)
- Wall mount bracket options : Bracket structure allows for threading through the bracket hole or into the wall mount



S125E



S125E-FT



Wall Mount Bracket SWP125



Wall Mount Bracket SWM125

Ordering Specification

S125R	-	BZ	-	220	-	R
[Model number]		[Buzzer option]		[Voltage]		[Color]
• S125R		• None • No buzzer • BZ • Built-in buzzer		• 12-DC12V • 24-DC24V • 110-AC110V • 220-AC220V		• R-Red • A-Amber • G-Green • B-Blue

ООО "РусАвтоматизация"

454010 г. Челябинск, ул. Гагарина 5, оф. 507

тел. 8-800-775-09-57 (звонок бесплатный), +7(351)799-54-26, тел./факс +7(351)211-64-57

info@rusautomation.ru; rusavtomatizaciya.pf; www.rusautomation.ru