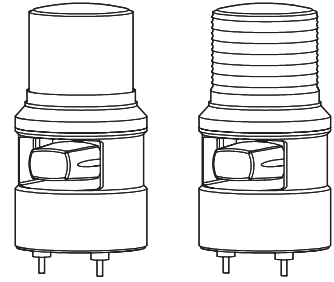


## Signal/ Warning Light and Alarm Sounder Combinations

# S100D series



Thank you for purchasing Qlight's products. Please read this user manual carefully prior to installation and operation to ensure safe and correct use.

### ⚠ Precautions for Safety

Failure to follow the instructions below may cause a loss of life or serious physical injury.

1. During wiring or maintenance, please completely turn off the power of the product. (Failure to follow this may lead to an electric shock.)
2. Do not install the product in locations that subjects it to excessive dust or water other than the conditions designated by the IP protection ratings indicated for each product. (Failure to follow these instructions may cause a fire to the product, electric shock, physical injury, malfunction or damage to the product.)
3. Do not alter or repair this product. If maintenance or repair service is required, please contact your local Qlight contact point. (Failure to follow these instructions may lead to fire, electric shock, or product damage.)
4. Please apply the correct voltage to the product. (Failure to follow these instructions may lead to fire, electric shock, or product damage.)
5. When the product is applied to a condition that may impact lives or property, please make sure to have a double safety device. (Failure to follow this may cause damage to property, fire, electric shock and loss of life.)

### ⚠ Precautions for Correct Use

Failure to follow the proper instructions may cause damage to property, the product, and or malfunction of the product that would void the warranty.

1. Please remove any objects that can interrupt ventilation around the product.
2. Please turn off the power of the product immediately if it fails to operate properly.
3. Carefully wire the product according to each product's specification.
4. Please be careful in preventing chemicals such as thinner, benzene, etc. in contact with the surface of the product.
5. Do not apply excessive force/impact to the product.
6. Failure to follow any of the instructions above may cause malfunction or damage to the product, fire, and electric shock.

### Ordering Specifications

S100D	-	WA	-	220	-	R
[Model number]		[Sound]		[Voltage]		[Color]
• S100DLR		• WS- Warning sounds		• 12-DC12V		R-Red
• S100DL		• WM- Melodies		• 24-DC24V		A-Amber
• S100DS		• WA- Alarms		• 110- AC110V		G-Green
• S100D		• WV- Customizable sounds		• 220- AC220V		B-Blue

## Specifications

Model number	Voltage	Current	Bulb specifications			Sound pattern and volume	Certificates	Weight	Color
			Volts/Watts	Configuration	Part#				
S100D	DC12V	1.266A	12V10W	T16x35 15S	9	<ul style="list-style-type: none"> <li>• WS- 5 Warning Sounds : 105dB</li> <li>• WM- 5 Melodies : 105B</li> <li>• WA- 5 Alarms : 103dB</li> <li>• WV- 5 Customizable sounds : 95dB</li> </ul>	CE	0.96Kg	R-Red A-Amber G-Green B-Blue
	DC24V	0.766A	24V10W	T16x35 15S	10				
	AC110V	0.187A	12V10W	T16x35 15S	9				
	AC220V	0.094A	12V10W	T16x35 15S	9				

※CE compliant : DC24V

Model number	Voltage	Current	Sound pattern and volume	Certificates	Weight	Color
S100DL	DC12V~24V	Max. 0.410A	<ul style="list-style-type: none"> <li>• WS- 5 Warning Sounds : Max. 105dB</li> <li>• WM- 5 Melodies : Max.105B</li> <li>• WA- 5 Alarms : Max.103dB</li> <li>• WV- 5 Customizable sounds : Max.95dB</li> </ul>	CE	0.89Kg	R-Red A-Amber G-Green B-Blue
	AC110V	0.115A			1.27Kg	
	AC220V	0.060A			0.95Kg	
S100DLR	DC12V	0.483A			1.16Kg	
	DC24V	0.327A			0.76Kg	
	AC110V	0.120A			1.21Kg	
S100DS	DC12V~24V	Max. 1.330A				
	AC110V	0.230A				
	AC220V	0.155A				

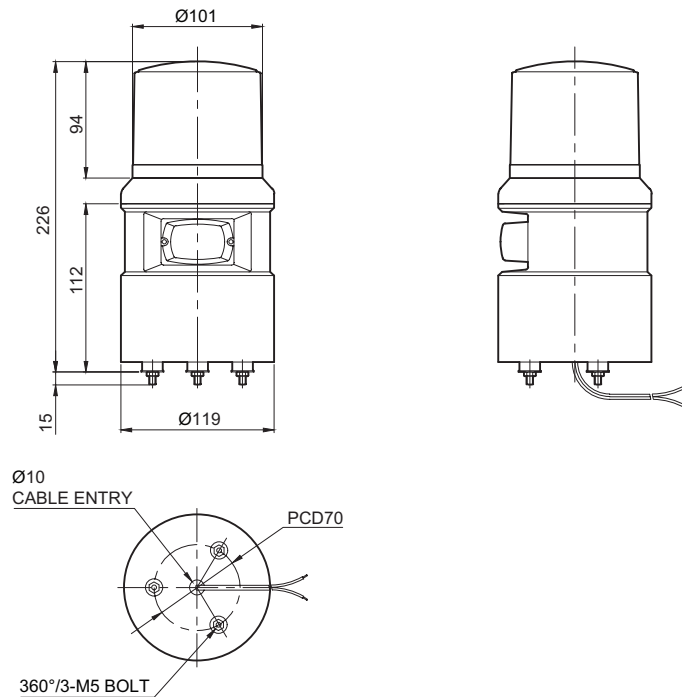
※CE compliant : DC24V

- Protection rating :IP54
- Ambient operating temperature : -20°C to +50°C (S100D, S100DLR)  
-30°C to +50°C (S100DL, S100DS)

## Dimensions

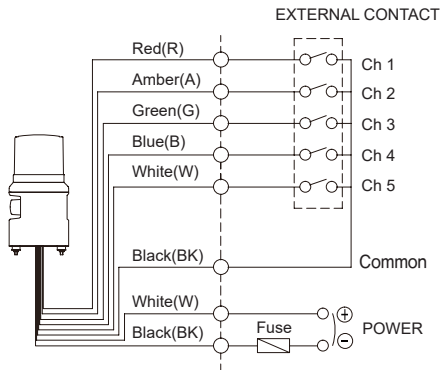
(Units : mm)

S100D/ S100DL/ S100DLR/ S100DS

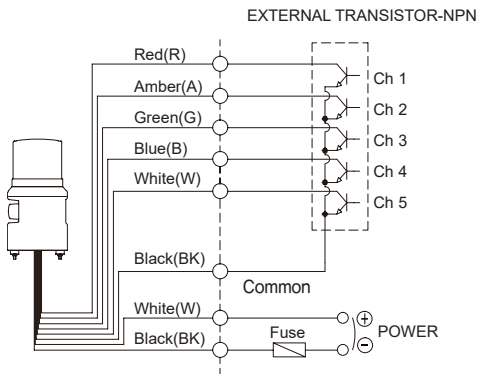


## Wiring Instructions

S100D/ S100DL/ S100DLR/ S100DS-DC/AC



S100DL-DC/AC

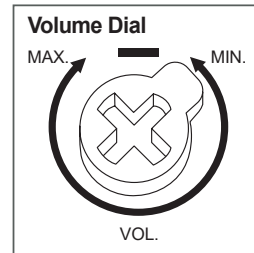


- External power line - UL1015 AWG18(0.75sq) x 2C 400mm
- External signal line - UL1007 AWG22(0.3sq) 400mm

## Sound Tone Combination of Standard Product

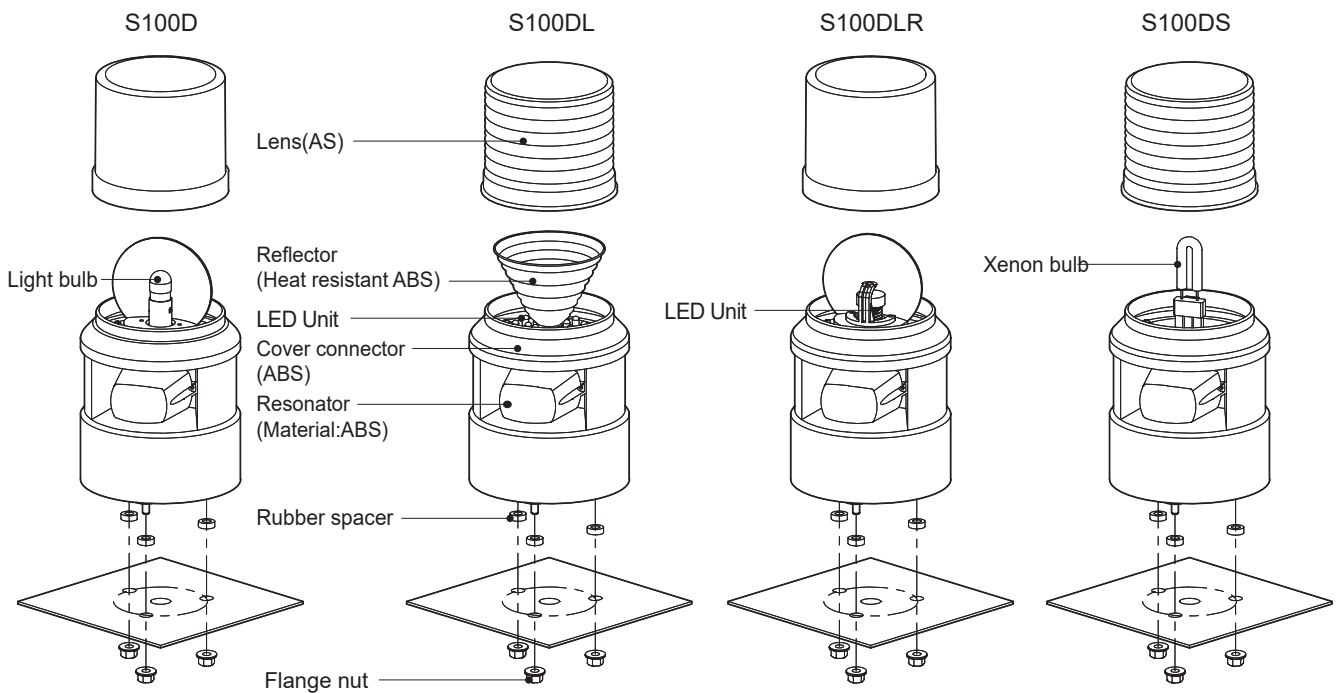
Category	Sound pattern	Channel	Sound tone	Volume (Max.)
WS	5 Warning sounds	Ch1	Fire	105dB
		Ch2	Emergency	
		Ch3	Ambulance	
		Ch4	Machinery Fault	
		Ch5	High Expansion	
WM	5 Melodies	Ch1	Sweet Home	105dB
		Ch2	For Elise	
		Ch3	Cuckoo's Waltz	
		Ch4	Piano Sonata	
		Ch5	Turkish March	
WA	5 Alarms	Ch1	Beep Intermittent	103dB
		Ch2	Door Chime	
		Ch3	Phone Ring	
		Ch4	PI.PI.PI Short	
		Ch5	Tripping Beat	
WV	5 Customizable sounds	Ch1-Ch5	Available upon request(customized voice type)	95dB

## Volume Adjustment



- The volume output of this product is adjustable.
- Turn the volume dial clockwise to increase the volume, and turn counter clockwise to decrease the volume.
- There will be no sound when the dial is put at MIN.

## Parts Definition/ Installation

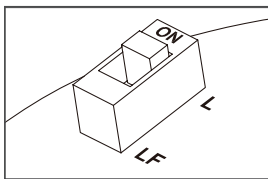


- First, remove the flange nuts from bolts and place the product through the mounting surface holes.
- Fasten the flange nuts on the opposite side of the mounting surface until the product is tightened securely.

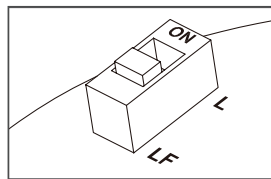
## Light Function Selection/ Mounting Hole Specifications

### Light Function Selection(100DL only)

- Please refer to the chart below to use light function selection switch located inside the product.



► L : Steady

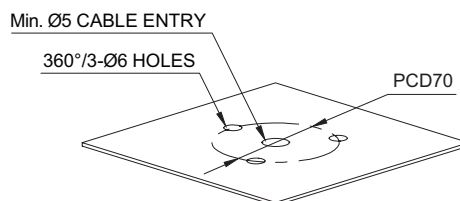


► LF : Flashing

- Default function is set at steady LED. Select the desired function for your application during installation.

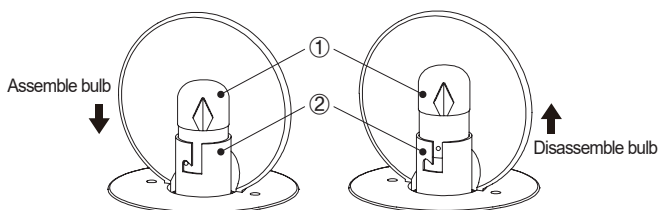
### Mounting Hole Specifications

- Machine holes on the mounting surface referring to the diagram below.



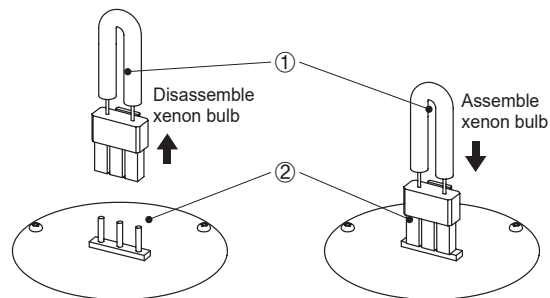
## Light bulb/ Xenon Bulb Replacement Instructions

### Bulb Replacement Instructions(S100D model only)



- Please wait at least 1 minute after turning off the power before replacing the bulb.
- In order to disassemble the bulb, please push down the bulb(①) lightly and screw it counterclockwise.
- In order to put the bulb in to the unit, please place the bulb(①) in the socket(②) and screw it clockwise while lightly pushing down the bulb.

### Xenon Bulb Replacement instructions(S100DS only)



- Please wait at least 30 minutes after turning off the power before replacing the xenon bulb.
- Please pull out the entire xenon bulb structure ① to disassemble.
- For xenon bulb assembly, please ensure the connector portion of the xenon bulb structure matches the pin location②.

## Installation Environment and Protection Rating

- This product is designed for use with protection rating of IP54.
- If the product is installed in locations that subject it to excessive dust or water other than the designated IP protection rating indicated(IP54), it may cause malfunction or damage to the product.
- In case of outdoor applications, install the product in the upright position. Do not install the product horizontal or upside-down positions where water can potentially penetrate into the product and impact it's operation.
- For further information, please visit our website ([www.qlight.com](http://www.qlight.com)).