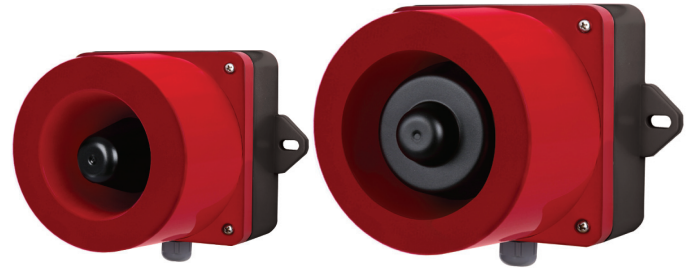


Wall mount electric horn that offers 30 pre-recorded warning sounds and 30 user selected sound messages

- Bit input offers 5 channels with 6 sound outputs
- Binary input offers 30 sound outputs and Sdcard (MP3) combination



• Sound Selection and Volume Adjustment Instructions

QWH series has control switches inside the unit for sound selection and volume adjustment. You can play customized sound message(MP3) with Sdcard.

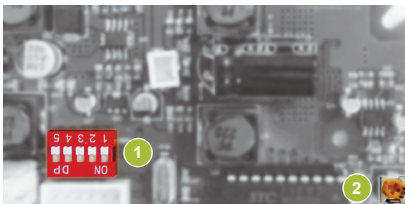
QWH series Product Category	
QWH35	Standard pre-recorded sound type
QWH35SD	Sdcard(MP3) type
QWH50	Standard pre-recorded sound type with high volume output
QWH50SD	Sdcard (MP3)type with high volume output



Common Specifications(QWH35/ QWH35SD/ QWH50/ QWH50SD)

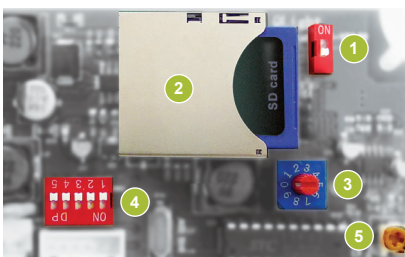
- Signal fit for the specific environment and condition.
- Options to select between 31 special warning sounds included in the pre-recorded sound type and Sdcard(MP3) type
- Volume adjustment and sound selection switches located inside the unit. Sdcard in the unit offers convenient operation.
- Sdcard type allows the user to input the proper voice messages for specific operating conditions.
- The Sdcard type 31 Special alarms built in which includes the voice alert from the Sdcard (MP3). 31 special warning sounds are built both in pre-recorded sound type and Sdcard type
- Offers both Binary and Bit input mode options (only the Sdcard type has the bit input)
- Tightly sealed structure that blocks water and dust with IP66 protection rating suitable for outdoor installation
- Cable entry : PG 13.5
- Materials : Horn-PC, Housing-ABS
- Ambient operating temperature : -30°C to +50°C
- Protection rating : IP66
- Certificates : CE Compliant
- Compliant with RoHS directive

Pre-recorded sound type



- 1 Switch for channel selection
- 2 Switch for volume adjustment

Sdcard (MP3) type



- 1 Switch for sound pattern selection
- 2 Sdcard slot for MP3
- 3 Switch for play mode selection
- 4 Switch for channel selection
- 5 Switch for volume adjustment

The input method of built-in sound type

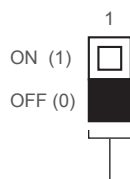
	1	2	3	4	5
ON	<input type="checkbox"/>	<input type="checkbox"/>	<input type="checkbox"/>	<input type="checkbox"/>	<input type="checkbox"/>
OFF	<input type="checkbox"/>	<input type="checkbox"/>	<input type="checkbox"/>	<input type="checkbox"/>	<input type="checkbox"/>
No.	1	2	3	4	5
0	0	0	0	0	0
1	0	0	0	0	1
2	0	0	0	1	0
:	:	:	:	:	:
31	1	1	1	1	1

Select from 31 pre-recorded output sound options by using a combination of the 5 channel input switches.

The binary input method allows you to express each of the 31 alarm sound signals with a "0" or "1" by switching the 5 channels on and off as shown in the table.

Sound selection instruction for Sdcard type

You can select between pre-recorded sound mode and Sdcard sound (MP3) mode with the SOUND selection switch.

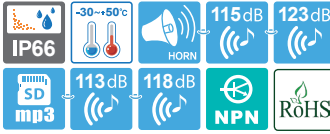


Selection between pre-recorded sound mode and Sdcard sound mode
 0 : pre-recorded sound mode
 1 : Sdcard sound mode

- 31 built-in alarm sounds and special sound
- Supports Sdcards for external sound (MP3)
- Binary Input : 31Ch
- Bit Input : 5Ch(Sdcard only)
- A versatile product that can play MP3 files via the Sd card
- For detailed setup instructions, please see page 24 for the special beep-type products.
- Channel 1 is set as the factory default

QWH series

Wall Mount Electric Horn with Pre-recorded Special Warning Sound



115dB



QWH35 series

123dB



QWH50 series

QWH35 Wall Mount Electric Horn MP3(SDcard) with Pre-recorded Special Warning Sound

Model number	Voltage	Current	Volume	Binary input/ Channels	Certificates	Weight
QWH35	DC12V-24V	Max 0.800A	<ul style="list-style-type: none"> Special warning sound : 115dB MP3 sound : 113dB 	Binary Input : 31Ch	DC Only	0.9kg
QWH35SD	AC110V-220V	Max 0.290A		Bit Input : 5Ch (SDcard only) Binary Input : 31Ch		

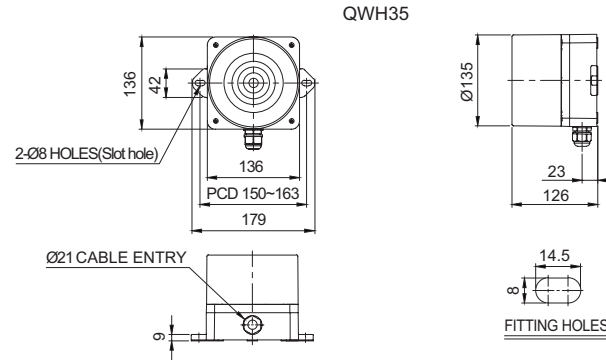
※ DC type model has a free-voltage range of 10V-30V.

※ AC type model has a free-voltage range of 100V-240V.



Technical Diagram

(Units : mm)



QWH50 Wall Mount Electric Horn MP3(SDcard) with Pre-recorded Special Warning Sounds

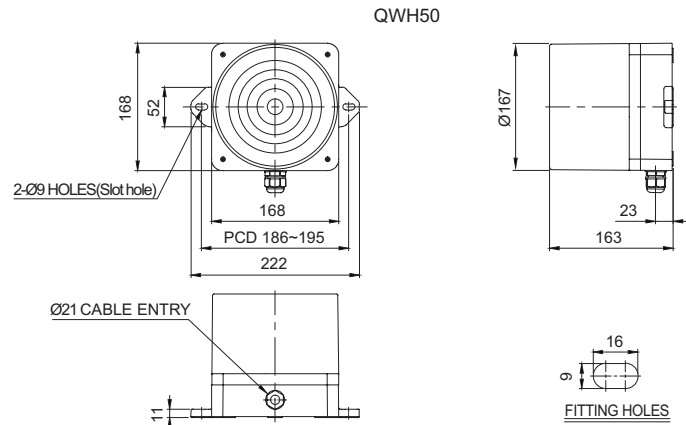
Model number	Voltage	Current	Volume	Binary input /Channels	Certificates	Weight
QWH50	DC12V DC24V	1.800A 1.000A	<ul style="list-style-type: none"> Special warning sound : 123dB MP3 sound : 118dB 	Binary Input : 31Ch	DC Only	2.7kg
QWH50SD	AC110V-220V	Max 0.600A		Bit Input : 5Ch (SDcard only) Binary Input : 31Ch		

※ AC type model has a free-voltage range of 100V-240V.



Technical Diagram

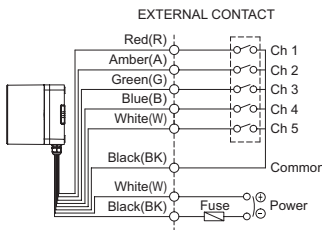
(Units : mm)



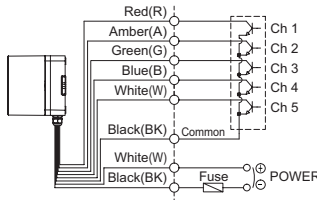
Sound Selection and Wiring Instructions

- Standard : Internal switch
- Customization : External contact(LC)

QWH35/ QWH50-DC/AC



EXTERNAL TRANSISTOR-NPN



- Channel selection, 5 sounds available with Bit input and 31 sound available with Binary input

• DC type : Black line is negative(-)

※ Please refer to page 24 for channel input. (Wiring Instructions is changed to channel selection switches)



Customization

- External threading of sound selection signal line (Model number : -LC)



Ordering Specification

QWH50	-	110/220	-	LC
[Model number]		[Voltage]		[Sound selection]
<ul style="list-style-type: none"> • QWH35 • QWH35SD 		<ul style="list-style-type: none"> • 12/24-DC12V-24V • 110/220-AC110V-220V 		<ul style="list-style-type: none"> • Standard • Built-in Switch • LC • External contact
<ul style="list-style-type: none"> • QWH50 • QWH50SD 		<ul style="list-style-type: none"> • 12-DC12V • 24-DC24V • 110/220-AC110V-220V 		