

### A new concept of using the horn cover as a light globe

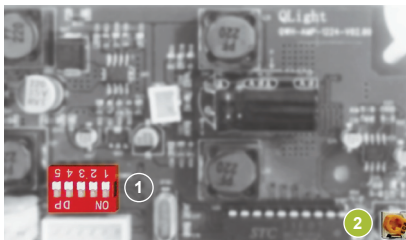


**QWCD series is a patented product with an integrated horn and light globe.**  
(Patent registration : 10-1452447 horn having a light emitting part)

QWCD series	
QWCD35	Built-in standard sound
QWCD35SD	MP3(SDcard)
QWCD50	Built-in standard sound, large output sound
QWCD50SD	SDcard(MP3). Large output sound

- By using the horn cover as a light globe, the product is significantly more visible.
- The color of light can be selected by using different models.
- Product has two models : the basic model with 31 built-in sounds, and an external sound (MP3) type model
- Includes seven different playback functions; one function is the continuous playback function which provides constant message notification
- There are 31 built-in sounds that can be played in various environments, and supports a Binary input method
- You can save and play up to 31 mp3 files using a external SDcard
- Can easily set up the sounds using a PC
- By making the horn cover with polycarbonate (PC) material, The product has excellent durability and weather resistance
- Can be used for heavy-duty, ship, or outdoor use which requires waterproof, dustproof structure (IP66)

#### Built-in sound type



- 1 Sound selection switch
- 2 Volume

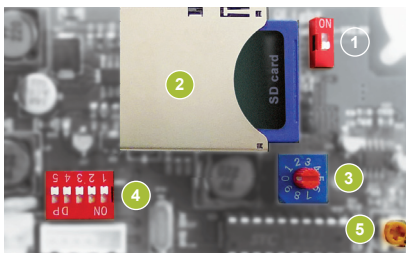
#### The input method of built-in sound type

No.	1	2	3	4	5
0	0	0	0	0	0
1	0	0	0	0	1
2	0	0	0	1	0
:	:	:	:	:	:
31	1	1	1	1	1

Built-in sound type model supports Binary input mode which provides a selection of 31 different input combinations for five kinds of sounds.

You can only select 2 numbers with 1 switch; "0", "1". With 5 switches you can have 31 combinations. Selecting one sound from 5 switches is the Binary input method.

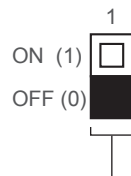
#### SDcard(MP3) type



- 1 Sound setting switch
- 2 MP3 playable SDcard
- 3 Play mode setting switch
- 4 Sound select switch
- 5 Volume

#### The sound selection method of SDcard type

Can easily select built-in sound or external sound(MP3) by using the sound selection switch.

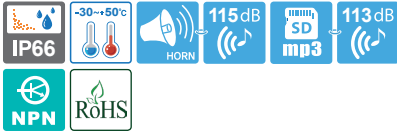


**The sound selection**  
0 : Select built-in sound  
1 : Select SDcard

- 31 built-in special warning sounds
- Supports SDcard (MP3)
- Binary Input : 31Ch
- Bit Input : 5Ch (SDcard only)
- A multifunctional product that can play MP3 files using an SDcard
- Please refer to page 24 for detailed settings
- Built-in sound is set to #1 as default

# QWCD series

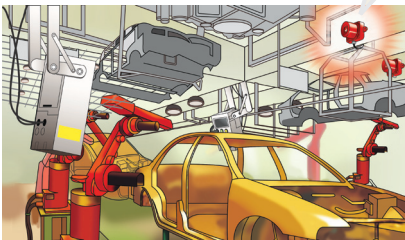
## LED Strobe Signal Light and Electric Horn Combinations



- Qlight's exclusive innovative design - the horn cover emits light!
- Combination of 31 sound options built in and SD Card(MP3) option



QWCD35 series



QWCD35 model applied in an automobile production plant environment.

### Common Specifications(QWCD35/ QWCD35SD/ QWCD50/ QWCD50SD)

- Easy device customization with built in sound selection function, volume adjustment function and an SDcard slot for user inputted tones
- 31 available tones that can be selected for a variety of environments
- The user can select their own tones by inputting the MP3 file directly into the SDcard
- 31 pre-recorded tones available via binary input
- Suitable for use in environments that require a tight seal and superior dust protection rated IP66
- Flashing rate : 60-80 flashes/min(steady/flashing mode selection available in built in switch)
- Materials : Horn-PC, Body-ABS
- Ambient operating temperature : -30°C to +50°C
- Protection Rating : IP66
- Certificates : CE Compliant, UL Listed
- Compliant with RoHS directive

### QWCD35 LED Strobe Signal Light and Electric Horn Combination

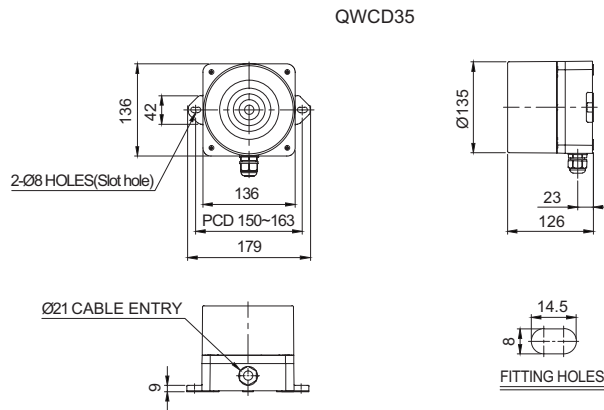
Model number	Voltage	Current	Sound Pattern and Volume	Cerificates	Weight	Color
QWCD35 Built-in standard sound	DC12V-24V	Max 1.025A	• Bit Input : 5Ch (SDcard) • Binary Input : 31Ch	CE DC Only	1.10kg	• R-Red • A-Amber • G-Green • B-Blue
QWCD35SD MP3	AC110V-220V	Max 0.360A	• Warning Sounds : 115dB • MP3 Messages : 113dB	UL DC Only	1.15kg	

※ DC type model has a free-voltage range of 10V-30V.

※ AC type model has a free-voltage range of 100V-240V.

### Technical Diagram

(Units : mm)



### Customization

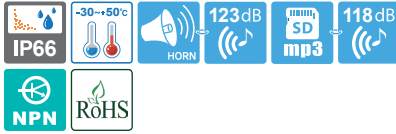
- External signal line available for users to connect their own sound input (Model number : -LC)

### Ordering Specification

QWCD35	110/220	R	LC
[Model number]	[Voltage]	[Color]	[sound selection]
• QWCD35 • QWCD35SD	• 12/24 • -DC12V-24V • 110/220 • -AC110V-220V	• R-Red • A-Amber • G-Green • B-Blue	• Standard • -Built-in switch • LC • -External contact

# QWCD series

## LED Strobe Signal Light and Electric Horn Combinations



- Qlight's exclusive innovative design - the horn cover emits light!
- Combination of 31 sound options built in and SD Card(MP3) option



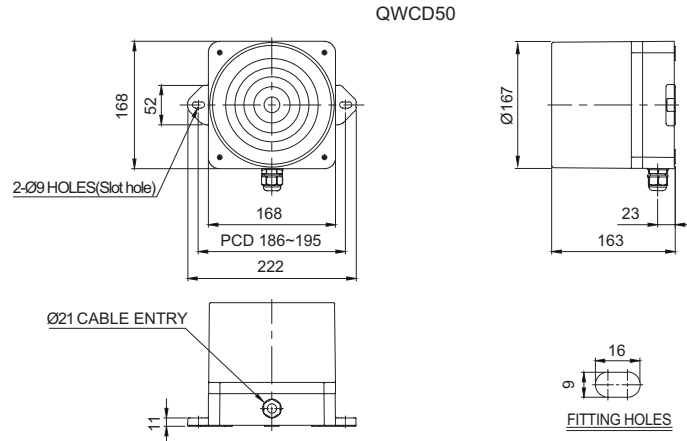
QWCD50 series

### QWCD50 LED Strobe Light and Electric Horn Combination

Model number	Voltage	Current	Sound Pattern and Volume	Certificates	Weight	Color
QWCD50	DC12V	2.025A	• Bit Input : 5Ch (SDcard)	CE DC Only	2.40kg	• R-Red • A-Amber • G-Green • B-Blue
Built-in standard sound	DC24V	1.150A	• Binary Input : 31Ch		2.40kg	
QWCD50SD	AC110V-220V	Max 0.600A	• Warning Sounds: 123dB	UL DC Only	2.45kg	
MP3			• MP3 Messages : 118dB			

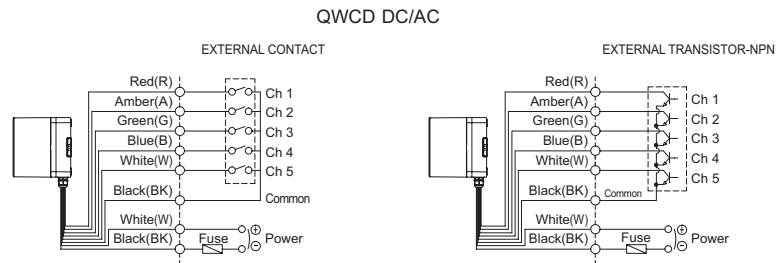
※ AC type model has a free-voltage range of 100V-240V.

### Technical Diagram (Units : mm)



### Wiring Instructions

- Standard specification : Use internal switches
- Customization : Use external contact



- Wiring to external contact and transistor
- Wiring to transistor, use the NPN transistor
- Power line standard UL1015 AWG18(0.75sq)×2C 400mm
- Signal line standard UL1007 AWG22(0.3sq) 400mm
- DC type : Black output line is negative(-)
- Channel selection : Bit input, 5 sound tones for each group
- Binary input 30 sound tones output

\* Please refer to Page 24 for set of channel input.  
(If wiring is changed by channel selection switch)

### Customization

- External sound selection line(Model number : -LC)

### Ordering Specification

QWCD50	-	110/220	-	R	-	LC
[Model number]		[Voltage]		[Color]		[sound selection]
• QWCD50 • QWCD50SD		• 12-DC12V • 24-DC24V • 110/220 -AC110V-220V		• R-Red • A-Amber • G-Green • B-Blue		• Standard -Built-in switch • LC -External contact