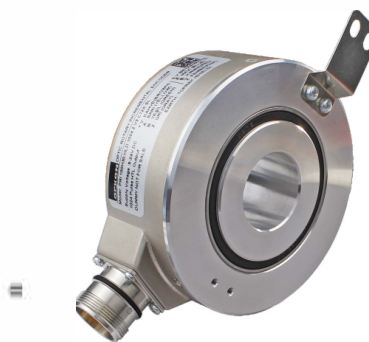


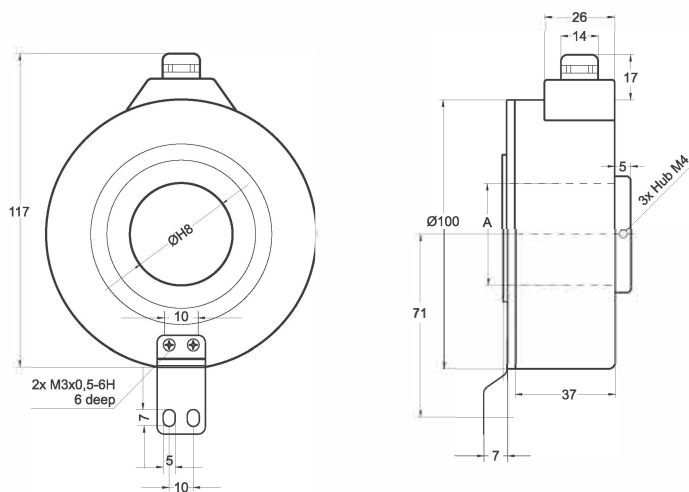
## Optic Rotary Incremental Encoder

- 100 mm case diameter
- 1024 ppr.
- Hollow shaft diameter 25 - 28 - 30 - 35 - 38 - 40 - 42 mm
- 3500 rpm max.
- Lift and elevator applications



### Technical Specifications

Resolution	1024 ppr.
Output Channels	A,B,Z or A,Ā, B,Ā, Z,Z̄
Output Type	Push-Pull, TTL Linedriver, HTL Linedriver
Supply Voltage	5 VDC, 8 - 24 VDC or 5 - 24 VDC
Power Consumption (without load)	< 40 mA (24 VDC)
Cable	2.5m (standard) 5 wire + Shield (Push-Pull) 2.5m (standard) 8 wire + Shield (Linedriver)
Max. Permissible Shaft Loading	Radial 180 N Axial 80 N
Max. Speed	3500 rpm
Shaft Diameter	Ø25 - 28 - 30 - 35 - 38 - 40 - 42 mm
Shaft Material	Aluminium
Case Diameter	Ø100 mm
Case Material	Aluminium and painted steel
IP Degree	IP 50
Operating Temperature	-20°C ... +80°C
Storage Temperature	-30°C ... +90°C



H Type (Radial)

Shaft Diameter (A)
25
28
30
35
38

#### Linedriver Cable Output

- Ch A : Yellow
- Ch A inv.: Blue
- Ch B : Green
- Ch B inv.: Red
- Ch Z : Gray
- Ch Z inv.: Pink
- +V : Brown
- 0V : White
- GND : Shield

#### Push-Pull Cable Output

- Ch A : Yellow
- Ch B : Green
- +V : Brown
- 0V : White
- GND : Shield

Model	Case Diameter	Case Type	Shaft Diameter	Output Type	Resolution	Output Channels	Supply Voltage	Connector / Cable	Cable Output
(example) PRI	100	H	25	LTP	1024	Z	V2	2M5	R
PRI	100	H: Hollow	25: 25mm 28: 28mm 30: 30mm 35: 35mm 38: 38mm	LTP : Push-Pull LD : TTL Linedriver HLD: HTL Linedriver	1024 ppr.	Z: A,B,Z B: A,B	V1: 5 VDC V2: 8-24 VDC V3: 5-24 VDC	2M5: 2,5 meter cable 5M : 5 meter cable 8M : 8 meter cable 10M: 10 meter cable C12: 12 pin connector	R: Radial